

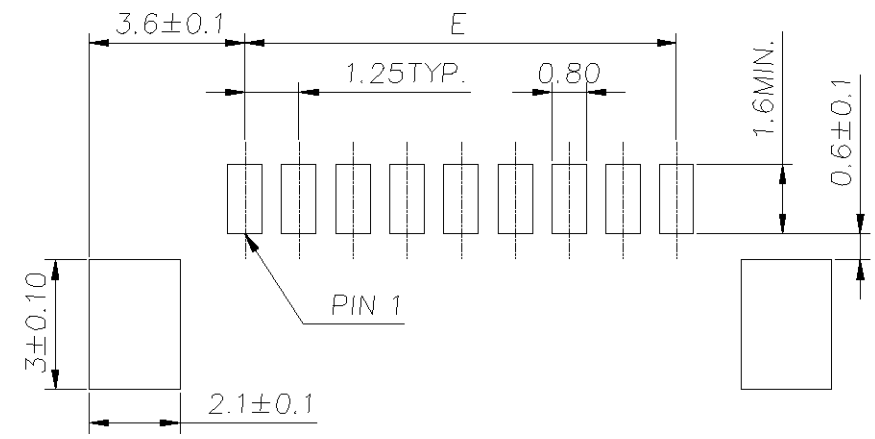
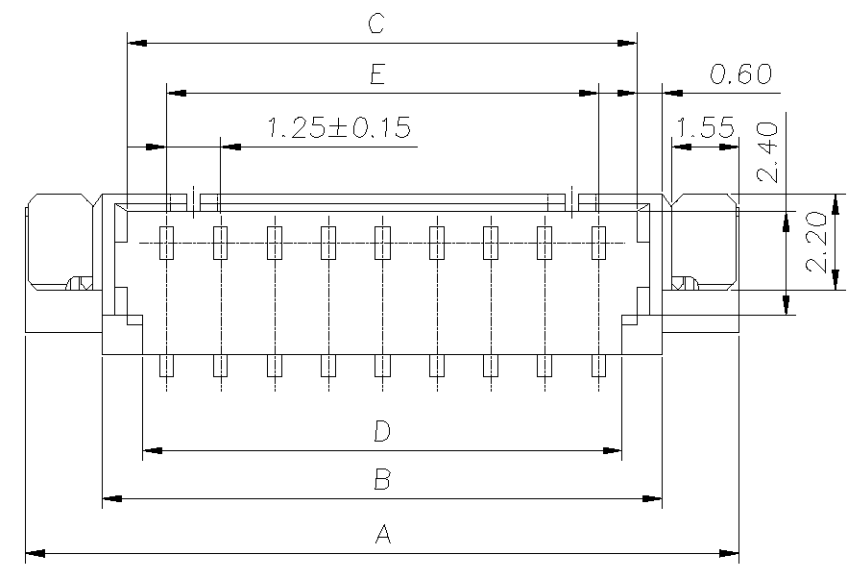
NUMBER
C-440371

3RD ANGLE PROJECTION

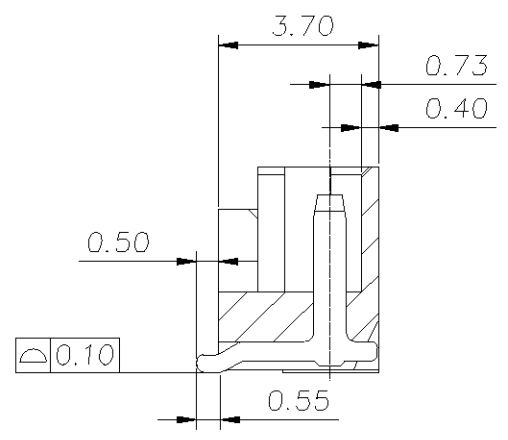
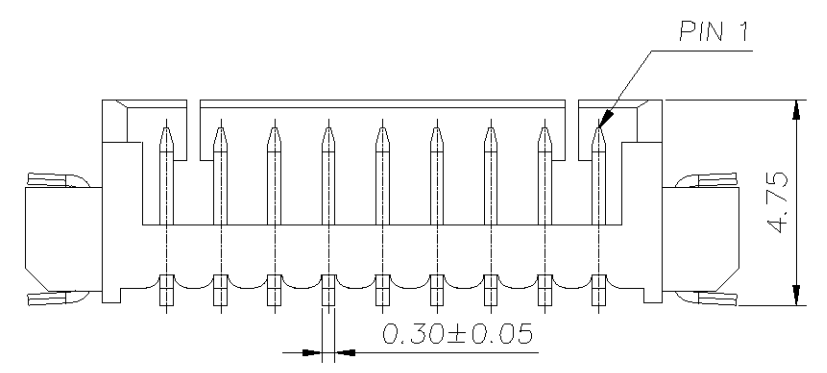
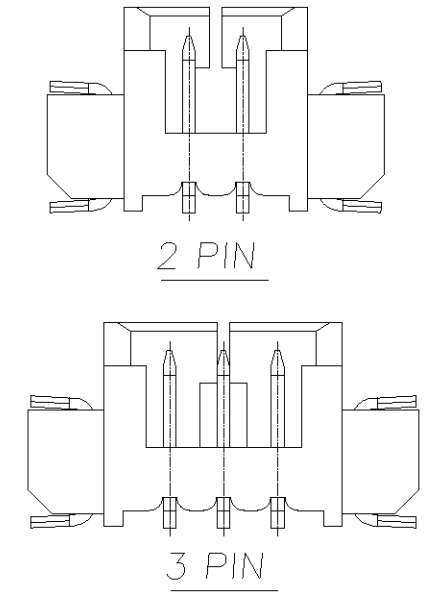
METRIC

THIS INFORMATION IS CONFIDENTIAL AND IS DISCLOSED TO YOU ON CONDITION THAT NO FURTHER DISCLOSURE IS MADE BY YOU TO OTHER THAN AMP PERSONNEL WITHOUT WRITTEN AUTHORIZATION FROM AMP (TAIWAN) LTD. DIMENSION IN MILLIMETERS. DO NOT SCALE PRINT.

PRINT
DW



PCB LAYOUT FOR SURFACE MOUNTING



NOTE:

- MATERIAL
HOUSING : HIGH TEMPERATURE THERMOPLASTIC, UL 94V-0, NATURAL COLOR
CONTACT : COPPER ALLOY
TAB : COPPER ALLOY
- PLATING
CONTACT : TIN-LEAD PLATING OVER NICKEL PLATING
TAB : TIN-LEAD PLATING OVER NICKEL PLATING
- LOCKING WINDOW
ONE PLACE FOR 2 AND 3 PINS,
TWO PLACES FOR MORE THAN 3 PINS

1-440371-5	15	24.04	20.50	19.30	18.60	17.50
1-440371-4	14	22.79	19.25	18.05	17.35	16.25
1-440371-3	13	21.54	18.00	16.80	16.10	15.00
1-440371-2	12	20.29	16.75	15.55	14.85	13.75
1-440371-1	11	19.04	15.50	14.30	13.60	12.50
1-440371-0	10	17.79	14.25	13.05	12.35	11.25
440371-9	9	16.54	13.00	11.80	11.10	10.00
440371-8	8	15.29	11.75	10.55	9.85	8.75
440371-7	7	14.04	10.50	9.30	8.60	7.50
440371-6	6	12.79	9.25	8.05	7.35	6.25
440371-5	5	11.54	8.00	6.80	6.10	5.00
440371-4	4	10.29	6.75	5.55	4.85	3.75
440371-3	3	9.04	5.50	4.30	3.60	2.50
440371-2	2	7.79	4.25	3.05	2.35	1.25

PART NUMBER	NO. OF PIN	DIM				
		A	B	C	D	E
		AMP AMP INCORPORATED. IPO				
		NAME				
		WIRE TO BOARD MALE HEADER, P=1.25mm, SMT STRAIGHT TYPE				
		LOC	SIZE	DRAWING NO	REV	
		DW	A	C-440371	O	
		SCALE	SHEET		1 OF 2	
		--				

DIMENSION :	DR.	T. HO
0 PLC ±	CHK.	J. CHENG
1 PLC ±	APP.	J. WU
2 PLC ±0.2	PRODUCT SPEC	108-57049
3 PLC ±	APPLICATION SPEC	
ANGLES ± °	WEIGHT	
MATERIAL	SEE NOTE	
FINISH	SEE NOTE	

O	FIRST RELEASED	FW00-0015-00	TH JW	12MAY 2000
LTR	REVISION RECORD	ECN	DR CHK	DATE

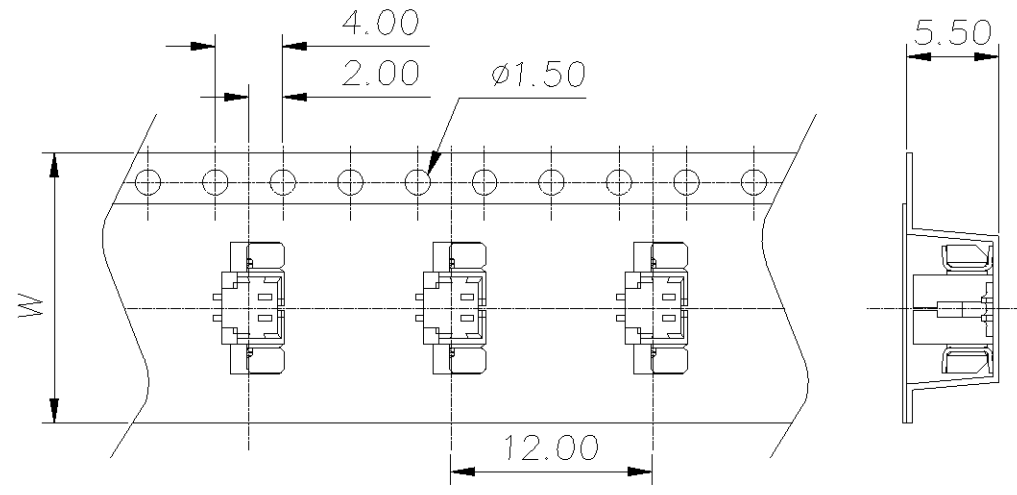
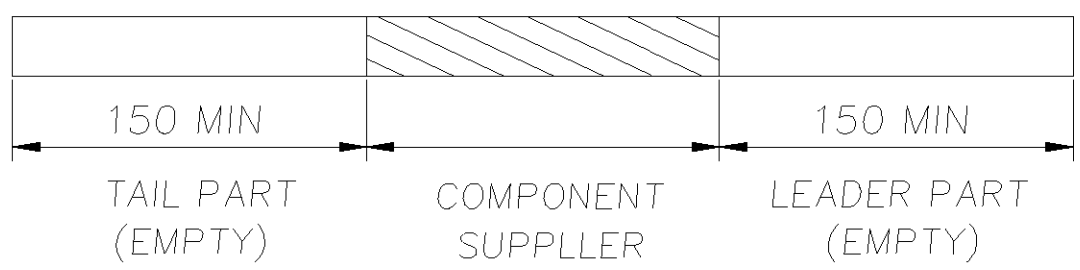
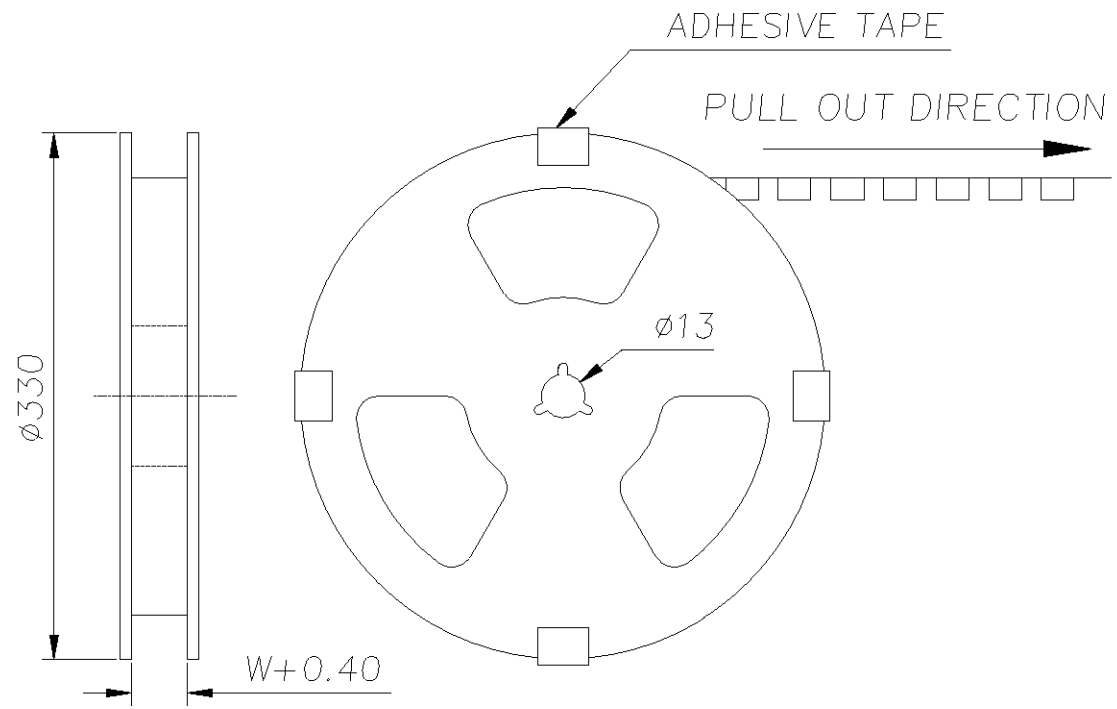
NUMBER
C-440371

3RD ANGLE PROJECTION

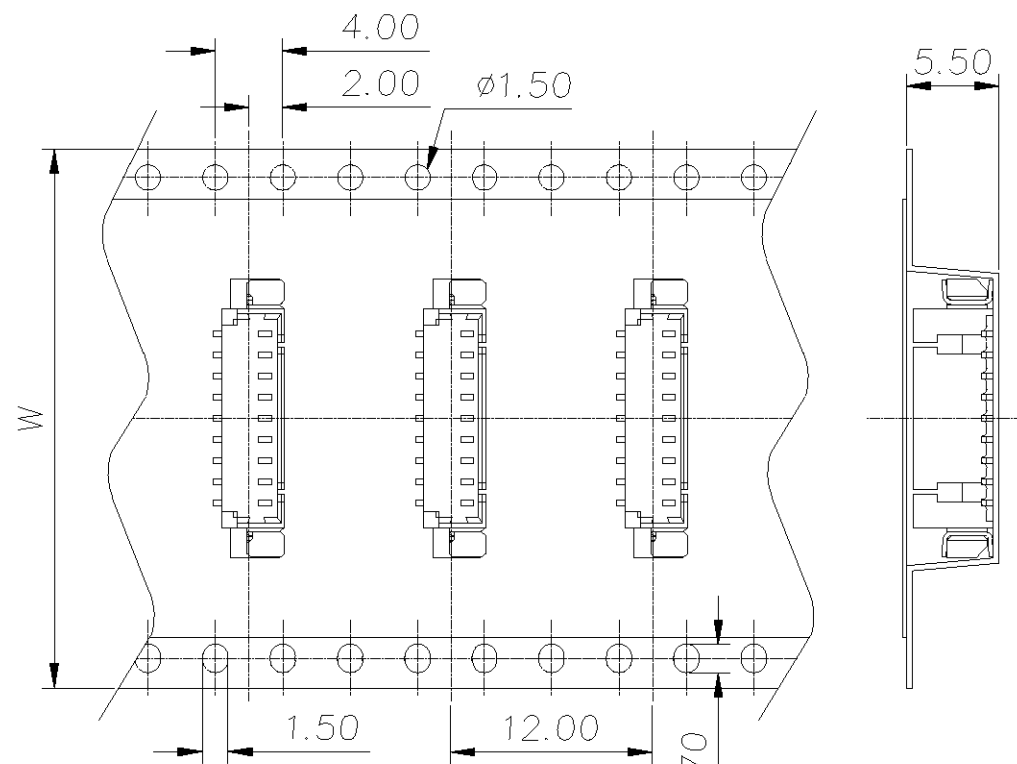
METRIC

THIS INFORMATION IS CONFIDENTIAL AND IS DISCLOSED TO YOU ON CONDITION THAT NO FURTHER DISCLOSURE IS MADE BY YOU TO OTHER THAN AMP PERSONNEL WITHOUT WRITTEN AUTHORIZATION FROM AMP (TAIWAN) LTD. DIMENSION IN MILLIMETERS. DO NOT SCALE PRINT.

DIST
PRINT
DW



CARRIER FOR 2 TO 7 PIN



CARRIER FOR 8 TO 15 PIN

1-440371-5	15	44.0	1000/REEL
1-440371-4	14		
1-440371-3	13	32.0	
1-440371-2	12		
1-440371-1	11		
1-440371-0	10	24.0	
440371-9	9		
440371-8	8		
440371-7	7		
440371-6	6	16.0	
440371-5	5		
440371-4	4		
440371-3	3		
440371-2	2		
PART NUMBER	NO. OF PIN	DIM W	PACKING

SEE SHEET 1	ECN	DR	CHK	DATE
LTR	REVISION RECORD			

DIMENSION :

0 PLC ±
1 PLC ±
2 PLC ±0.2
3 PLC ±
ANGLES ±

MATERIAL

SEE NOTE

FINISH

SEE NOTE

DR. T. HO

CHK. J. CHENG

APP. J. WU

PRODUCT SPEC 108-57049

APPLICATION SPEC

WEIGHT

AMP | AMP INCORPORATED. IPO

NAME

WIRE TO BOARD MALE HEADER, P=1.25mm, SMT STRAIGHT TYPE

LOC DW A

SIZE A

DRAWING NO C-440371

REV O

SCALE --

SHEET 2 OF 2

8 | 7 | 6 | 5 | 4 | 3 | 2 | 1 | CUSTOMER DRAWING