

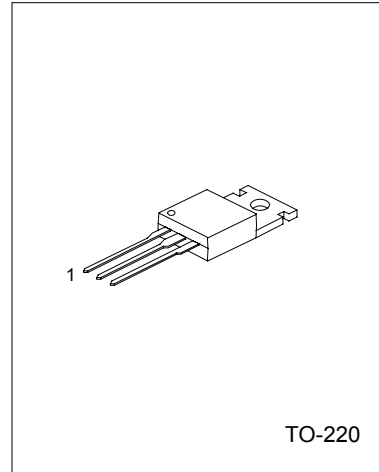
UTC D313

NPN EPITAXIAL PLANAR TRANSISTOR

NPN EPITAXIAL PLANAR TRANSISTOR

DESCRIPTION

The UTC D313 is designed for use in general purpose amplifier and switching applications.



1:BASE 2:COLLECTOR 3:EMITTER

ABSOLUTE MAXIMUM RATINGS

PARAMETER	SYMBOL	VALUE	UNIT
Collector-Base Voltage	VCBO	60	V
Collector-Emitter Voltage	VCEO	60	V
Emitter-Base Voltage	VEBO	5	V
Collector Current	Ic	3	A
Storage Temperature	T _{STG}	-55 ~ +150	°C
Junction Temperature	T _j	150	°C

ELECTRICAL CHARACTERISTICS (T_a=25°C)

PARAMETER	SYMBOL	TEST CONDITIONS	MIN	TYP	MAX	UNIT
Collector-Base Breakdown Voltage	BVCBO	I _C =1mA	60			V
Collector-Emitter Breakdown Voltage	BVCEO	I _C =10mA	60			V
Emitter-Base Breakdown Voltage	BVEBO	I _E =100uA	5			V
Collector Cut-Off Current	ICBO	V _{CB} =20V, I _E =0			0.1	mA
Emitter Cut-Off Current	IEBO	V _{EB} =4V, I _C =0			1.0	mA
Collector-Emitter Saturation Voltage	V _{CE(SAT)}	I _C =2A, I _B =0.2A			1.0	V
Base-Emitter On voltage	V _{BE(ON)}	V _{CE} =2V, I _C =1A			1.5	V
DC Current Gain	h _{FE}	I _C =1A, V _{CE} =2V	40		320	
		I _C =0.1A, V _{CE} =2V	40			

CLASSIFICATION ON h_{FE}

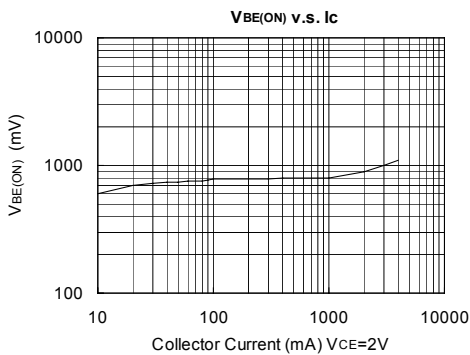
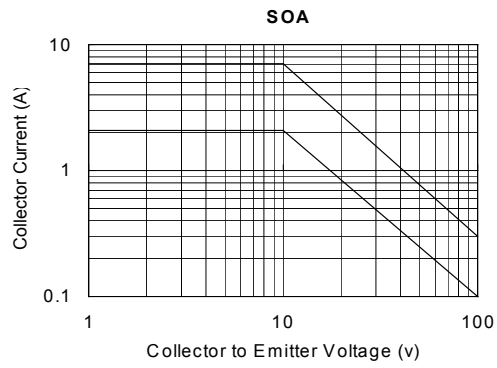
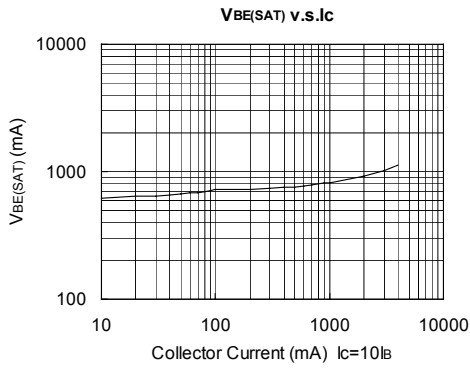
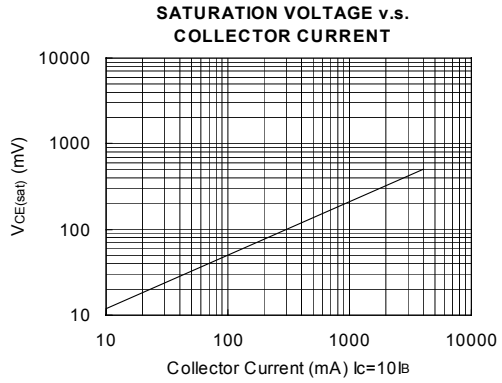
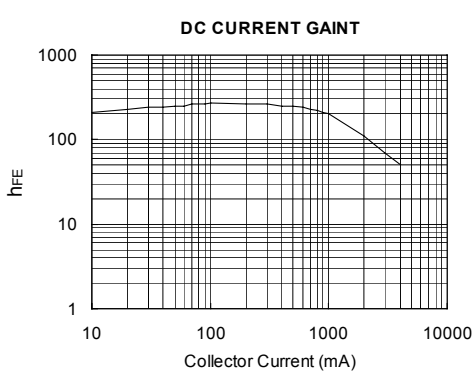
RANK	C	D	E	F
RANGE	40-80	60-120	100-200	160-320

UTC

UNISONIC TECHNOLOGIES CO., LTD.

1

QW-R203-001,A



UTC D313 NPN EPITAXIAL PLANAR TRANSISTOR

UTC assumes no responsibility for equipment failures that result from using products at values that exceed, even momentarily, rated values (such as maximum ratings, operating condition ranges, or other parameters) listed in products specifications of any and all UTC products described or contained herein. UTC products are not designed for use in life support appliances, devices or systems where malfunction of these products can be reasonably expected to result in personal injury. Reproduction in whole or in part is prohibited without the prior written consent of the copyright owner. The information presented in this document does not form part of any quotation or contract, is believed to be accurate and reliable and may be changed without notice.