

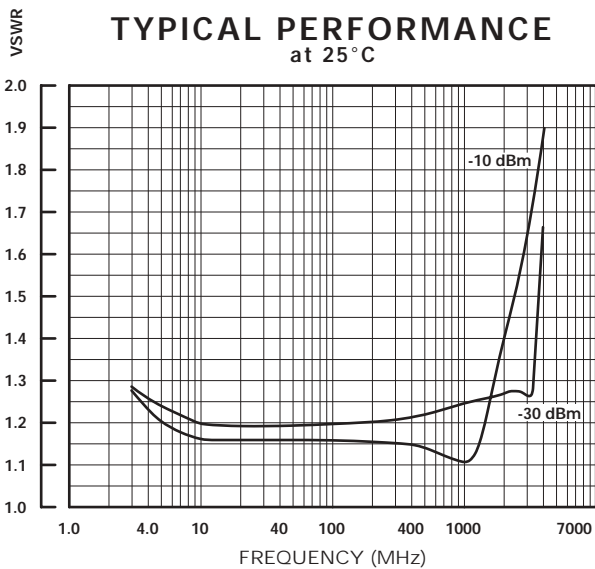
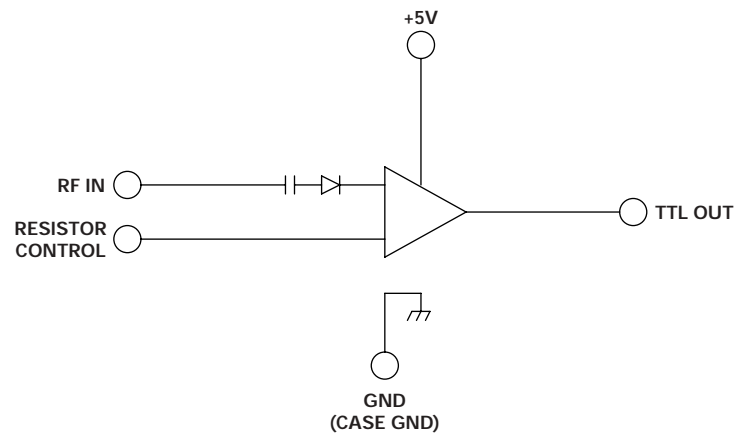
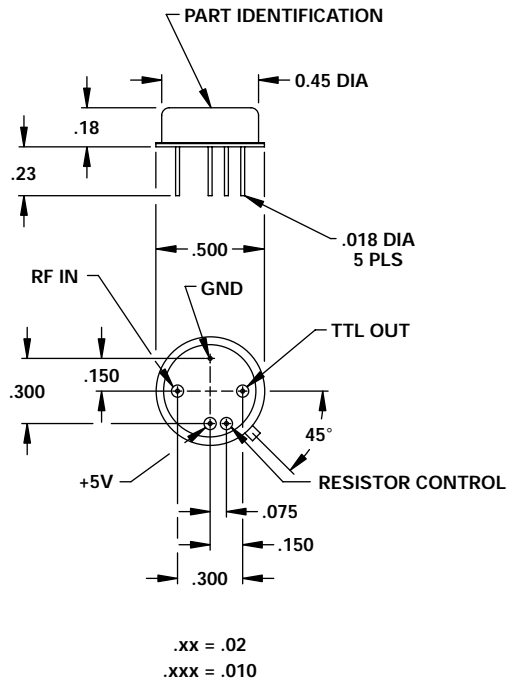
FEATURES

- 10 - 2000 MHz
- -30 to -10 dBm Dynamic Range
- Adjustable Threshold Level
- 1 mA Sink/Source Current
- See DTD05226 for Surface Mount Version



MODEL NO.
DTD01904

Bite Detector



GUARANTEED PERFORMANCE

Parameter	Min	Typ	Max	Units	Conditions
Operating Frequency	10		2000	MHz	
Dynamic Range	-30		-10	dBm	
Resistor Control		35		OHMS	$P_{in} = -30 \text{ dBm}$
		6500		OHMS	$P_{in} = -10 \text{ dBm}$
Hysteresis		0.8	1.2	dB	
Temperature Stability		± 1.4	± 1.5	dB	
Input Flatness		± 0.45	± 1.0	dB	
Response Time (See Note 1)		275	350	μSec	@ -10 dBm
		8.5	30	mSec	@ -30 dBm
Input VSWR		1.3/1	2/1		$-30 \text{ dBm} < P_{in} < -20 \text{ dBm}$
		1.45/1	2.2/1		$-20 \text{ dBm} < P_{in} < -10 \text{ dBm}$
Output Current	Source	-1	-5.3	mA	$V_{OH} = +2.7 \text{ V}$
	Sink	1	1.13	mA	$V_{OL} = +0.5 \text{ V}$
DC Current		4.0	5.0	mA	At +5 VDC
RF Power			+13	dBm	No Damage
Operating Temperature	-55	+25	+85	°C	TA

Note 1: Response Time for Input Change > 3 dB Above CW Threshold