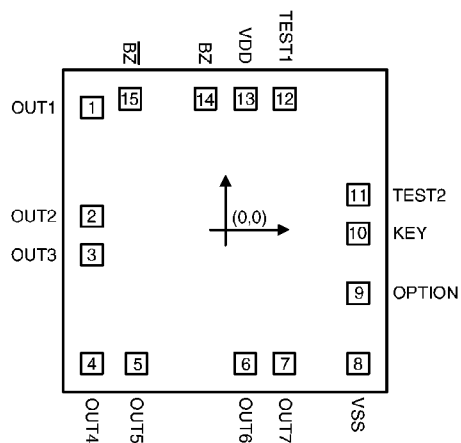


Features

- A built-in oscillator
- Auto power-off
- Two Flash modes (Dice & Lotto)
- Direct drive for buzzer

Pad Assignment

Unit: mil



Pad No.	X	Y	Pad No.	X	Y
1	-26.69	24.48	9	26.48	-12.67
2	-26.69	2.72	10	26.48	-0.77
3	-26.69	-4.93	11	26.48	7.06
4	-26.69	-26.69	12	11.82	26.22
5	-17.81	-26.69	13	4.00	26.22
6	3.95	-26.69	14	-4.00	26.22
7	11.77	-26.69	15	-19.04	26.22
8	26.48	-26.69			

Chip size: 66×66 (mil)²

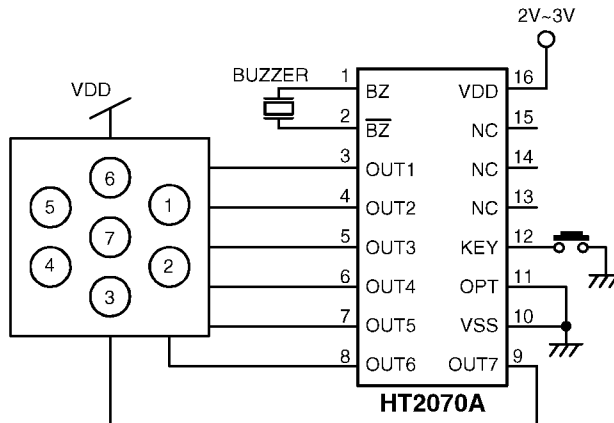
* The IC substrate should be connected to VDD in the PCB layout artwork.

Electrical Characteristics (at VDD=3V)

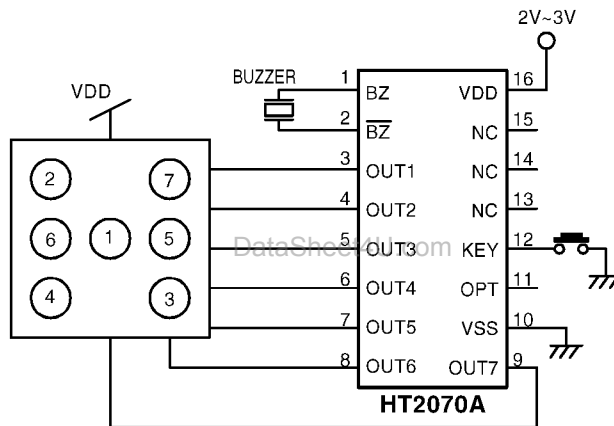
Parameter	Min.	Typ.	Max.	Unit
Quiescent Current	—	1	5	μA
Operating Voltage	2	3	3.3	V
LED Output Current	-4	-5	—	mA
Buzzer Output Current	1	—	—	mA
Oscillator Frequency	—	110	—	kHz
Key Input Voltage Range	V _{SS} -0.5	—	V _{DD} -0.5	V

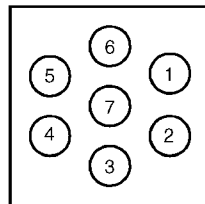
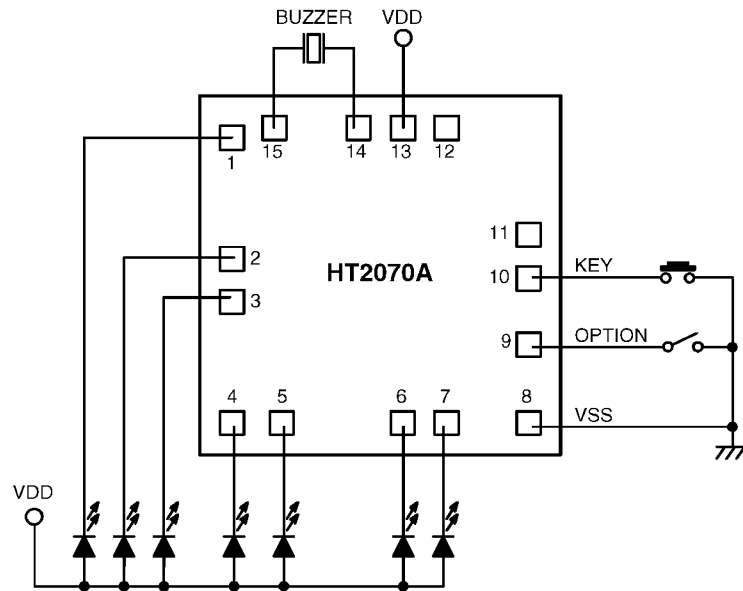
Typical Application Circuits

LOTTO mode

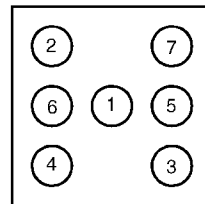


DICE mode: OPT=OPEN





OPTION: LOW



OPTION: OPEN

DataSheet4U.com

et4U.com