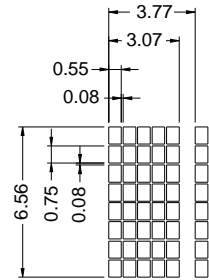
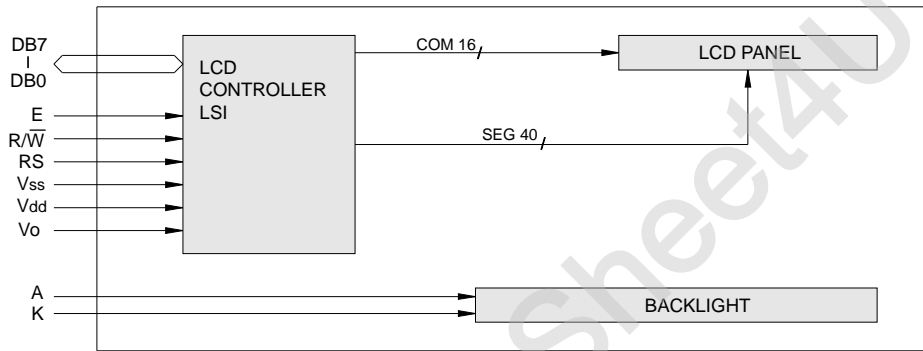
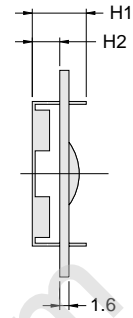
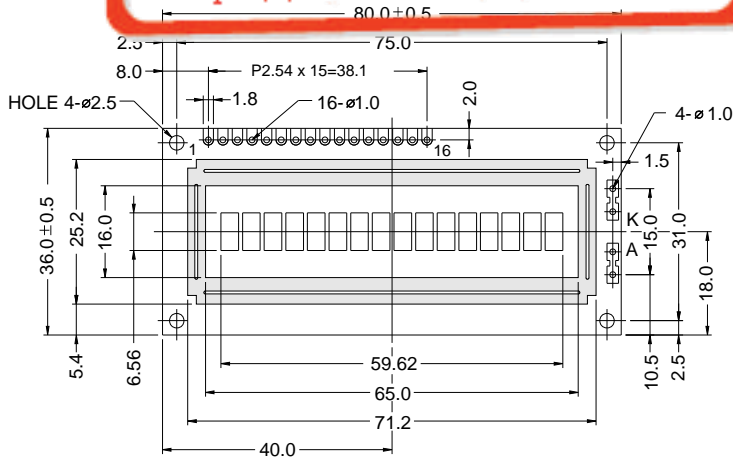


PC 1601-F



液晶之友 电话: 020-33819057
BLOCK DIAGRAM
Http://www.lcdfriends.com

OUTLINE DIMENSION



The tolerance unless classified $\pm 0.3\text{mm}$

MECHANICAL SPECIFICATION

Overall Size	80.0 x 36.0	Module	H2 / H1
View Area	65.0 x 16.0	W/O B/L	4.8 / 9.4
Dot Size	0.55 x 0.75	EL B/L	4.8 / 9.4
Dot Pitch	0.63 x 0.83	LED B/L	8.9 / 13.5

PIN ASSIGNMENT

Pin no.	Symbol	Function
1	Vss	Power supply(GND)
2	Vdd	Power supply(+)
3	Vo	Contrast Adjust
4	RS	Register select signal
5	R/W	Data read / write
6	E	Enable signal
7	DB0	Data bus line
8	DB1	Data bus line
9	DB2	Data bus line
10	DB3	Data bus line
11	DB4	Data bus line
12	DB5	Data bus line
13	DB6	Data bus line
14	DB7	Data bus line
15	A	Power supply for LED B/L (+)
16	K	Power supply for LED B/L (-)

ABSOLUTE MAXIMUM RATING

Item	Symbol	Condition	Min.	Max.	Units
Supply for logic voltage	Vdd-Vss	25°C	-0.3	7	V
LCD driving supply voltage	Vdd-Vee	25°C	-0.3	13	V
Input voltage	Vin	25°C	-0.3	Vdd+0.3	V

ELECTRICAL CHARACTERISTICS

Item	Symbol	Condition	Min.	Typical	Max.	Units		
Power supply voltage	Vdd-Vss	25°C	2.7	—	5.5	V		
LCD operation voltage	Vop	Top	N	W	N	W	V	
		-20°C	—	5.2	—	5.4	V	
		0°C	4.5	—	4.8	—	5.1	V
		25°C	4.1	4.3	4.4	4.5	4.7	V
		50°C	3.8	—	4.1	—	4.4	V
		70°C	—	3.9	—	4.1	V	
LCM current consumption (No B/L)	Idd	Vdd=5V	—	1.5	2.5	mA		
Backlight current consumption	LED/edge	VB/L=4.2V	—	40	—	mA		
	LED/array	VB/L=4.2V	—	120	—	mA		

REMARK

LCD option: STN, TN, FSTN

Backlight Option: LED,EL Backlight feature, other Specs not available on catalog is under request.

