

WS/WE150

photoelectric through beam sensor

H I G H L I G H T S



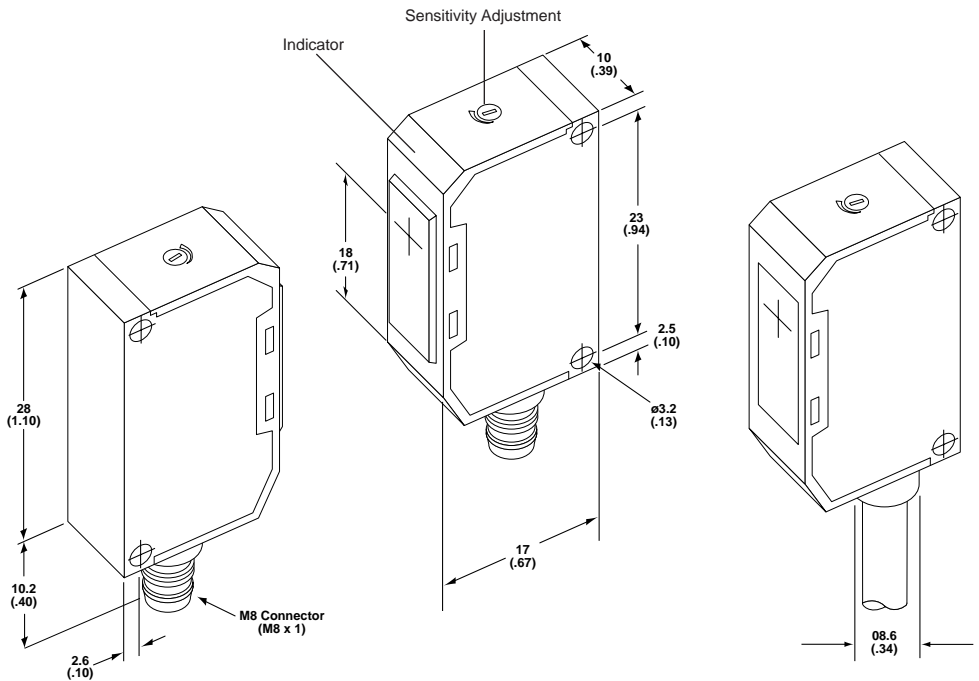
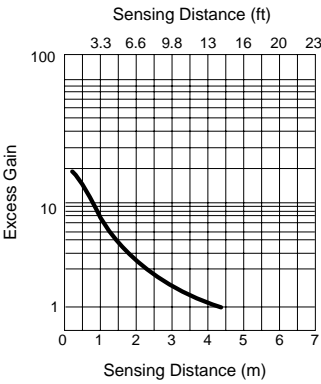
- ▶ Rugged plastic housing
- ▶ Signal strength indicator
- ▶ Sensitivity adjustment
- ▶ High switching frequency
- ▶ Outputs short circuit and over current protected
- ▶ Power supply reverse polarity protected
- ▶ Red light for easy alignment
- ▶ Cable or M8 quick disconnect versions
- ▶ Easy mounting with included bracket
- ▶ Optional slotted masks



www.DataSheet4U.com

4.5 m (14.8 ft)

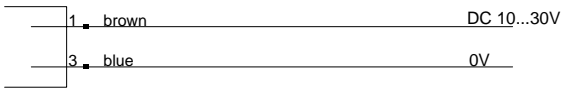
excess gain curve



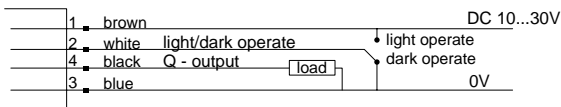
Dimensions in mm (in)

connection diagram

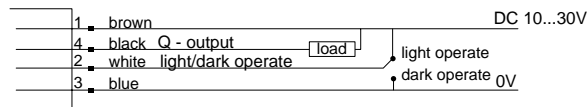
Sender



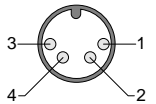
Receiver, PNP Models



Receiver, NPN Models



M8 Connector



wire colors refer to standard cable, not included with quick disconnect models

WS/WE150

photoelectric through beam sensor

	WS/WE 150	-P132	-P430	-N132	-N430
Part Number	6 011 030	6 011 032	6 011 027	6 011 029	
Max. Range @ Excess Gain 1	4.5 m (14.8 ft)				
Typical Range @ Excess Gain 3	2.25 m (7.4 ft)				
Angle of Divergence / Reception	approx. 6° / 15°				
Light Spot Size	approx. 400 mm @ 4 m (15.7 in @ 13.1 ft)				
Light Source	LED, red				
External Light Immunity	Modulated light source with 2-bit evaluation				
Response Time / Frequency	0.5 ms / 1000 Hz				
Supply Voltage	10...30 V DC				
Current Consumption (no load)	≤ 30 mA				
Ripple (within V_s tolerance)	± 10%				
Output Type	PNP			NPN	
Output Voltage High	$V_s - (\leq 1.5 \text{ V})$			approx. V_s	
Output Voltage Low	approx. 0 V			≤ 1.5 V	
Output Current Max.	100 mA				
Operation Mode	Light or dark switching selectable via wire				
Connection Type	Cable	M8 4-pin plug	Cable	M8 4-pin plug	
Connecting Cable	PVC, 2 m	see accessories	PVC, 2 m	see accessories	
Housing	Glass fiber reinforced plastic				
Enclosure Rating	IP 67 / NEMA 6				
VDE Protection Class	III				
EMC	IEC 801, parts 2, 3, 4				
Circuit Protection	Outputs short circuit and over current protected, V_s reverse polarity protected				
Shock / Vibration	IEC 68-2-27 / IEC 68-2-6				
Test Input	-				
Alarm Output	-				
Timing Options	-				
Ambient Operating Temperature	-25...55°C (-13...131°F)				
Storage Temperature	-40...70°C (-40...158°F)				
Mounting Bracket	5 306 217 (included), 5 306 279 (optional)				
Weight	approx. 7 g (0.25 oz.) each (connector versions); 44 g (1.6 oz) each (cable versions)				

For more information, contact:
 Keystone Automation, Inc.
 5649 Memorial Avenue, N.
 Stillwater, MN 55082
 Phone: 651-439-4268
www.keystoneautomation.com