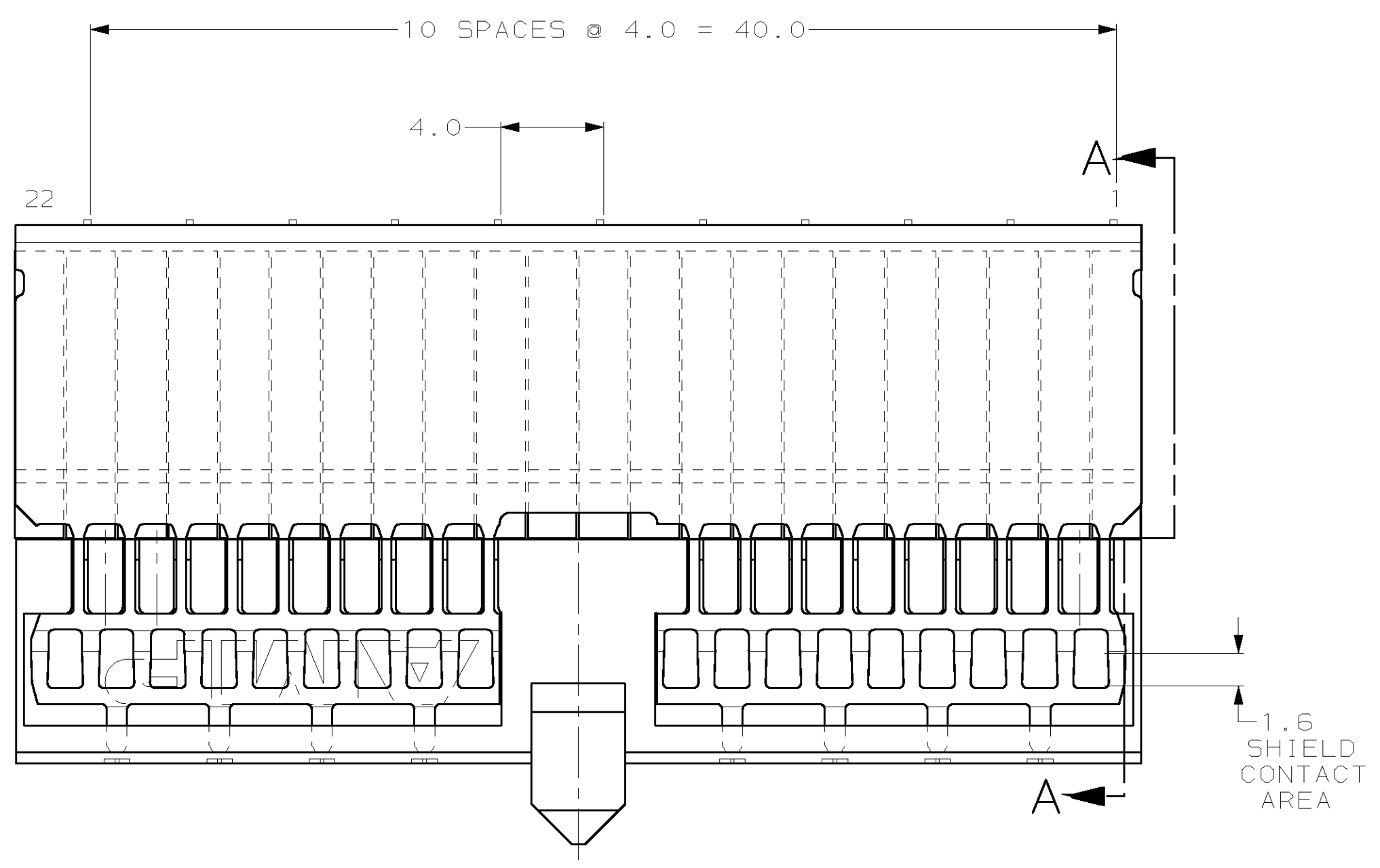
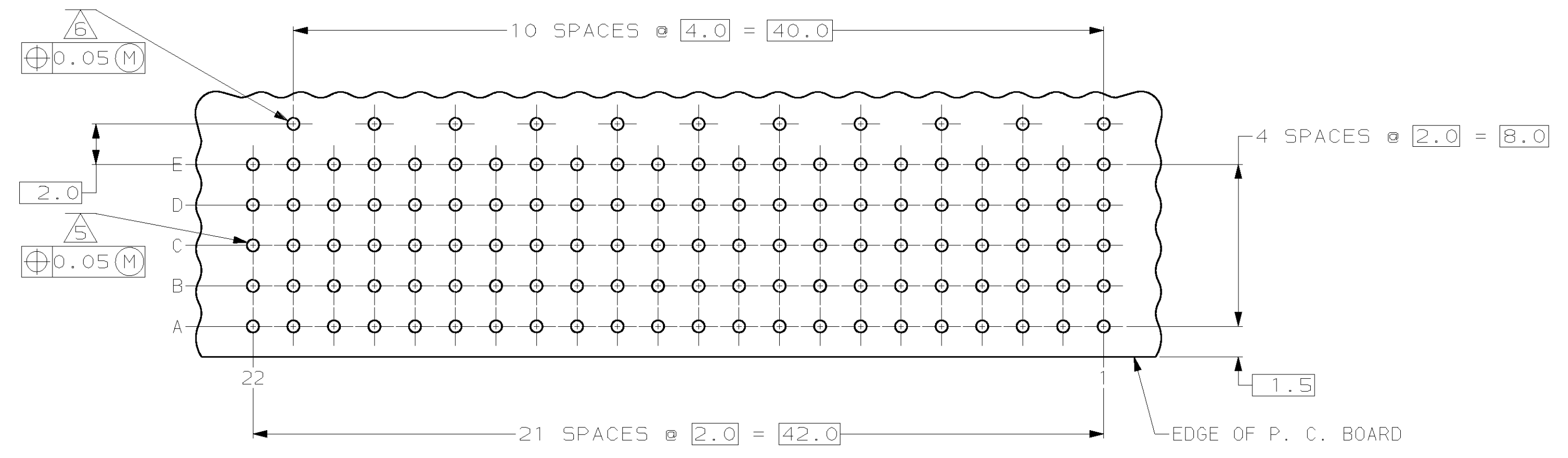
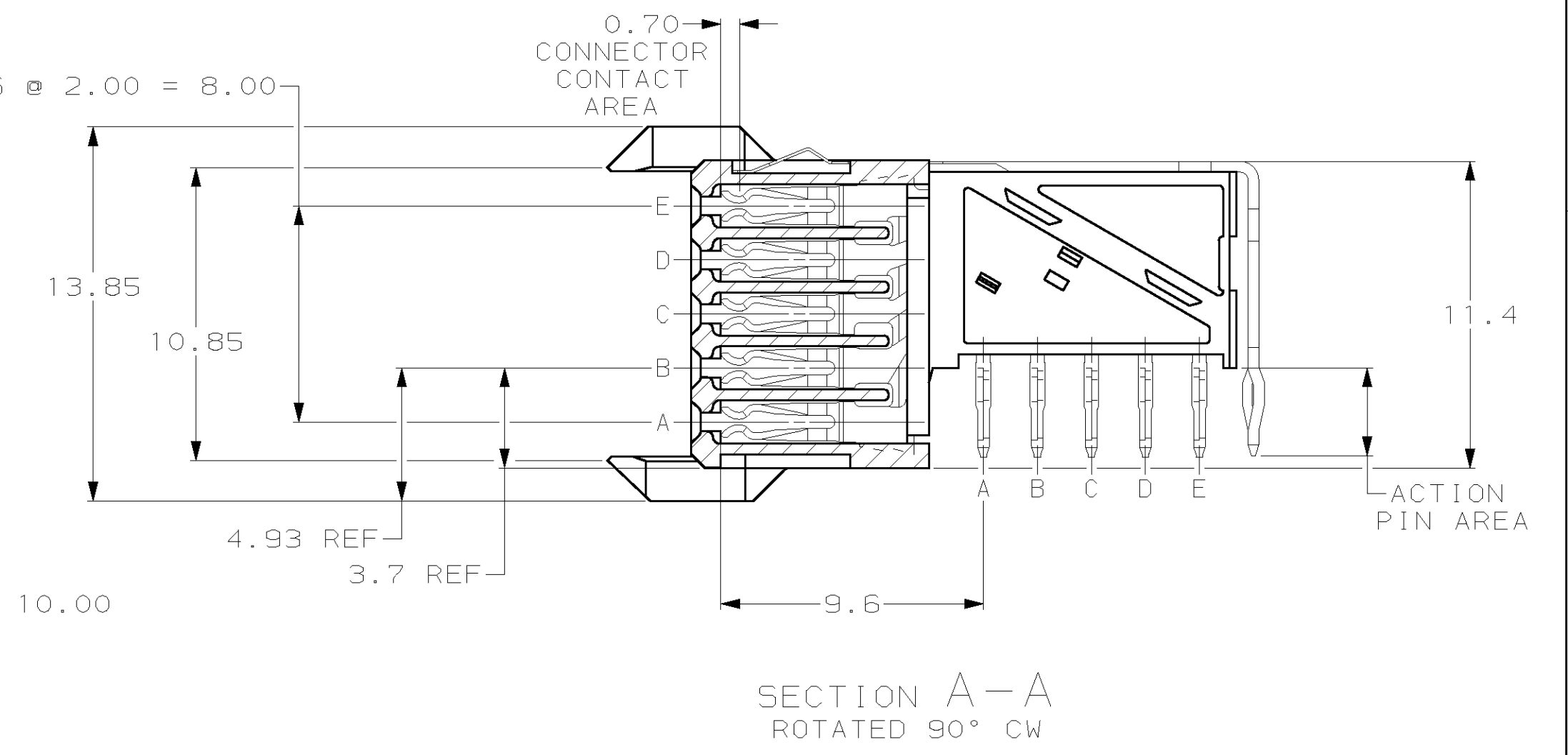
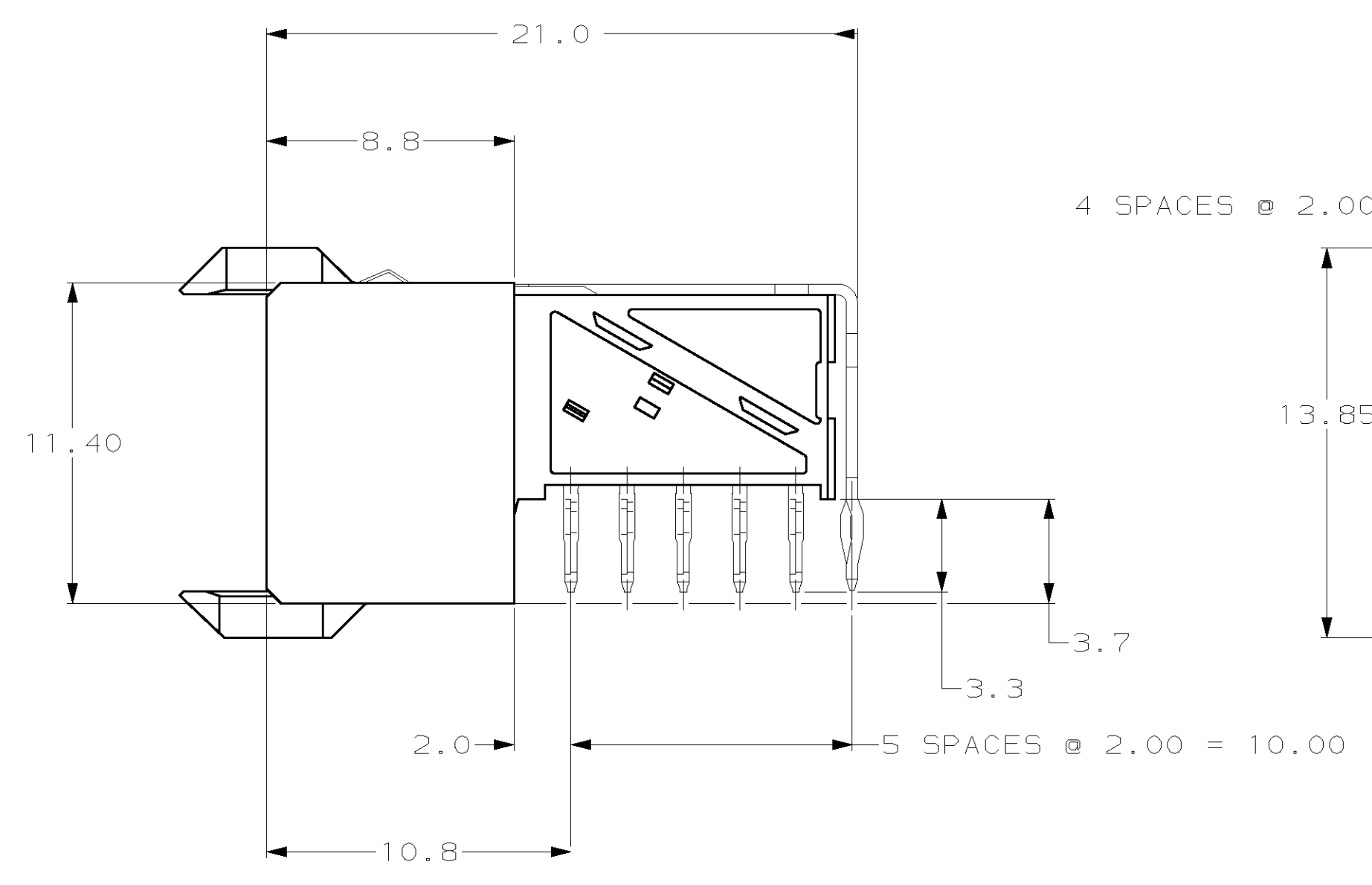
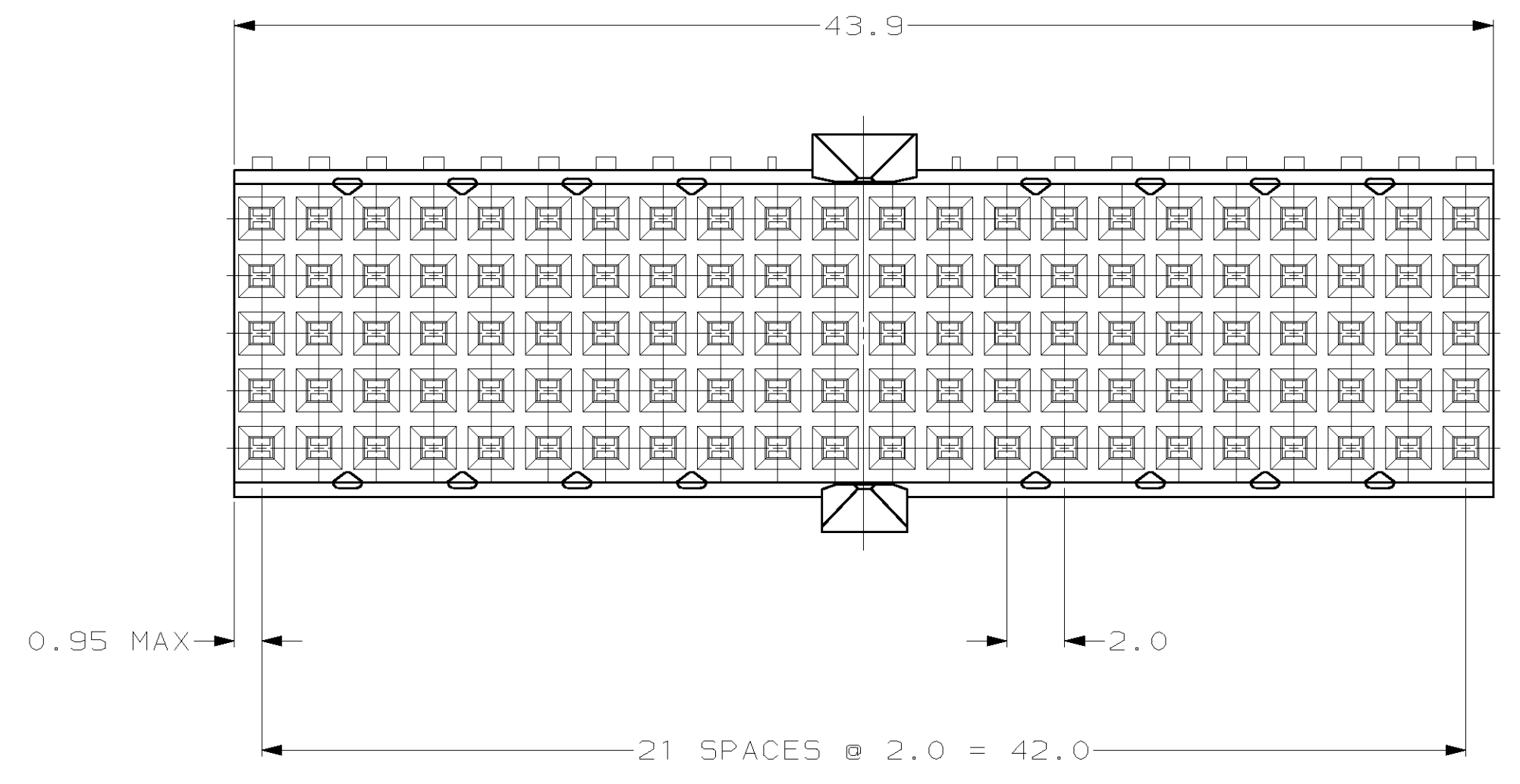


REVISONS		DATE	OWN	APPRO
0	DRAWN	6-22-98	TS	GS
A	REV PER EC 0512-0209-03	18JUN03	BC	NN



- ⚠ PLATING CONTACT AREA: 0.8μm Au MIN. OVER 1.3μm Ni MIN. ACTION PIN, 0.5μm SnPb MIN. OVER 1.3μm Ni MIN.
- ⚠ MATERIAL CONTACT: PHOSPHORBRONZE.
- ⚠ MATERIAL HOUSING: GLASSFILLED POLYESTER, COLOR: GRAY.
- 4. PART NUMBER AND DATE CODE MARKED LOWEST LEVEL OF PACKAGING.
- ⚠ PLATED THROUGH HOLES AT 2mm x 2mm SQUARE GRID, 100 HOLES.
 P. C. BOARD HOLES ARE AS FOLLOWS:
 DRILLED HOLE: 0.700±0.025.
 FINISHED HOLE: 0.55 - 0.65.
 COPPER THICKNESS: 0.025 - 0.050.
 TIN-LEAD THICKNESS: 0.004 - 0.010 (OPTIONAL).
- ⚠ 10 PLATED THROUGH HOLES FOR UPPER SHIELD ,ROW F.
- 7. SHIELD MOUNTED TO CONNECTOR WITH DOUBLE SIDED ADHESIVE TAPE.



RECOMMENDED P. C. BOARD LAYOUT
 COMPONENT SIDE

646489-1
 PART NUMBER

THIS DRAWING IS A CONTROLLED DOCUMENT.		DWN T. SHUEY 6-22-98	AMP Incorporated Harrisburg, PA 17105-3608
DIMENSIONS: mm	TOLERANCES UNLESS OTHERWISE SPECIFIED:	CHK: G. SKIPPER 1-27-99	NAME G. SKIPPER 1-27-99
0 PLC ±	1 PLC ±0.2	PRODUCT SPEC	RECEPTACLE ASSEMBLY, Z-PACK 2mm HM, TYPE A/B, PRE-SHIELDED, 110 POSITION
2 PLC ±0.02	3 PLC ±	APPLICATION SPEC	SIZE CAGE CODE DRAWING NO RESTRICTED TO
4 PLC ±	ANGLES ±	WEIGHT	A100779 C-646489 www.DateSheet4U.com
MATERIAL	FINISH	CUSTOMER DRAWING	SCALE 5:1 SHEET 1 OF 1 REV A