

**PLEASE CHECK WWW.MOLEX.COM FOR LATEST PART INFORMATION**

**Part Number:** [0940304021](#)  
**Status:** **Active**  
**Description:** Quick Disconnect, Female for 0.50-1.00mm<sup>2</sup> (18-20 AWG) wire, Accepts 4.75mm (.187") x 0.80mm (.031") Tab

**Documents:**

[Drawing \(PDF\)](#) [Product Specification PS-94030-002 \(PDF\)](#)  
[Product Specification PS-94030-001 \(PDF\)](#) [RoHS Certificate of Compliance \(PDF\)](#)

**General**

Product Family	Quick Disconnects
Series	<a href="#">94030</a>
Crimp Quality Equipment	Yes
Product Name	N/A
Type	Quick Disconnect

**Physical**

Barrel Type	Open
Gender	Female
Glow-Wire Compliant	No
Insulation	None
Lock to Mating Part	None
Material - Metal	Brass
Material - Plating Mating	Tin
Material - Plating Termination	Tin
Orientation	Straight
Packaging Type	Reel
Plating min: Mating (µin)	80
Plating min: Mating (µm)	2
Plating min: Termination (µin)	80
Plating min: Termination (µm)	2
Polarized to Mating Part	Yes
Tab Thickness	0.81mm (.032")
Tab Width	4.75mm (.187")
Temperature Range - Operating	-40°C to +80°C
Termination Interface: Style	Crimp or Compression
Wire Insulation Diameter	3.30mm (.130") max.
Wire Size AWG	18, 20, 22, 24
Wire Size mm <sup>2</sup>	0.50-1.00

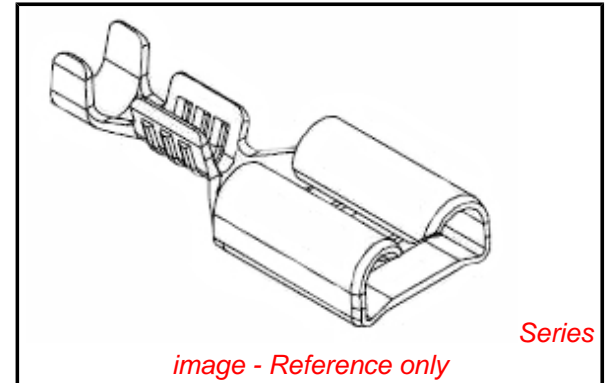
**Electrical**

Voltage - Maximum	250V
-------------------	------

**Material Info**

**Reference - Drawing Numbers**

Product Specification	PS-94030-001, PS-94030-002
Sales Drawing	SD-94030-002



**EU RoHS**

**ELV and RoHS  
Compliant**  
**REACH SVHC  
Contains SVHC: No**  
**Halogen-Free  
Status**

**China RoHS**



**Need more information on product  
environmental compliance?**

Email [productcompliance@molex.com](mailto:productcompliance@molex.com)  
 For a multiple part number RoHS Certificate of Compliance, [click here](#)

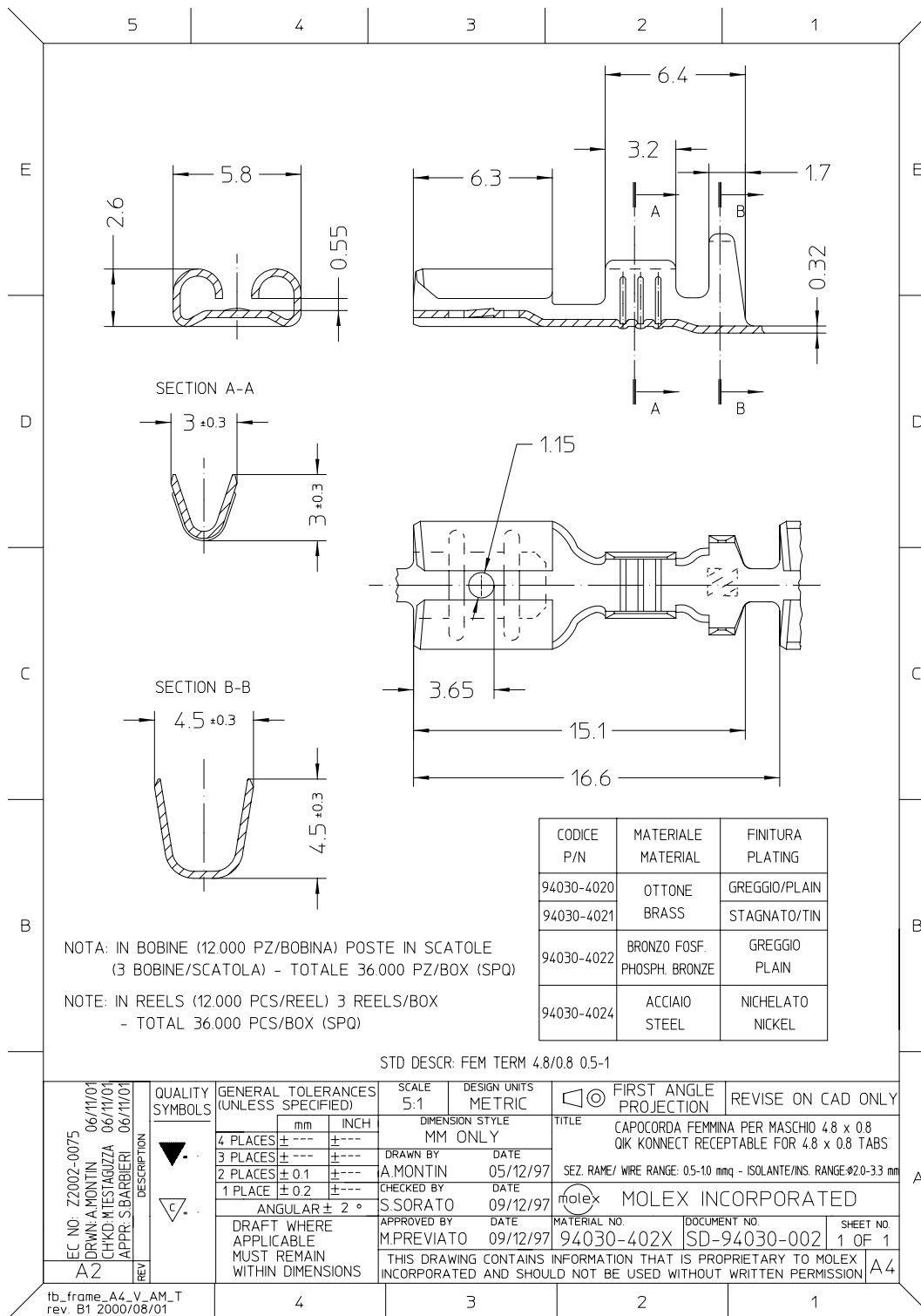
Please visit the [Contact Us](#) section for any non-product compliance questions.

**Search Parts in this Series**

94030Series

**Use With**

940956030 , 940956040



NOTA: IN BOBINE (12.000 PZ/BOBINA) POSTE IN SCATOLE  
 (3 BOBINE/SCATOLA) - TOTALE 36.000 PZ/BOX (SPQ)

NOTE: IN REELS (12.000 PCS/REEL) 3 REELS/BOX  
 - TOTAL 36.000 PCS/BOX (SPQ)

CODICE P/N	MATERIALE MATERIAL	FINITURA PLATING
94030-4020	OTTONE	GREGGIO/PLAIN
94030-4021	BRASS	STAGNATO/TIN
94030-4022	BRONZO FOSF. PHOSPH. BRONZE	GREGGIO PLAIN
94030-4024	ACCIAIO STEEL	NICHELATO NICKEL

STD DESCR: FEM TERM 4.8/0.8 0.5-1

EC NO: Z2002-0075 DRWN: A.MONTIN 06/11/01 CHKD: M. TESTAGUZZA 06/11/01 APPR: S. BARBIERI 06/11/01 A2 REV	QUALITY SYMBOLS	GENERAL TOLERANCES (UNLESS SPECIFIED) <table border="1"> <tr> <th></th> <th>mm</th> <th>INCH</th> </tr> <tr> <td>4 PLACES ±</td> <td>± 0.15</td> <td>± 0.006</td> </tr> <tr> <td>3 PLACES ±</td> <td>± 0.10</td> <td>± 0.004</td> </tr> <tr> <td>2 PLACES ±</td> <td>± 0.075</td> <td>± 0.003</td> </tr> <tr> <td>1 PLACE ±</td> <td>± 0.05</td> <td>± 0.002</td> </tr> <tr> <td colspan="3">ANGULAR ± 2°</td> </tr> </table>		mm	INCH	4 PLACES ±	± 0.15	± 0.006	3 PLACES ±	± 0.10	± 0.004	2 PLACES ±	± 0.075	± 0.003	1 PLACE ±	± 0.05	± 0.002	ANGULAR ± 2°			SCALE 5:1	DESIGN UNITS METRIC	FIRST ANGLE PROJECTION REVISE ON CAD ONLY
			mm	INCH																			
	4 PLACES ±		± 0.15	± 0.006																			
	3 PLACES ±		± 0.10	± 0.004																			
2 PLACES ±	± 0.075	± 0.003																					
1 PLACE ±	± 0.05	± 0.002																					
ANGULAR ± 2°																							
DESCRIPTION	DIMENSION STYLE MM ONLY	TITLE																					
	DRAWN BY DATE A.MONTIN 05/12/97	SEZ. RAME/ WIRE RANGE: 0.5-10 mmq - ISOLANTE/INS. RANGE: Ø20-33 mm																					
	CHECKED BY DATE S.SORATO 09/12/97	MOLEX INCORPORATED MATERIAL NO. 94030-402X DOCUMENT NO. SD-94030-002 SHEET NO. 1 OF 1																					
	DRAFT WHERE APPLICABLE MUST REMAIN WITHIN DIMENSIONS	APPROVED BY DATE M.PREVIATO 09/12/97	THIS DRAWING CONTAINS INFORMATION THAT IS PROPRIETARY TO MOLEX INCORPORATED AND SHOULD NOT BE USED WITHOUT WRITTEN PERMISSION	A4																			