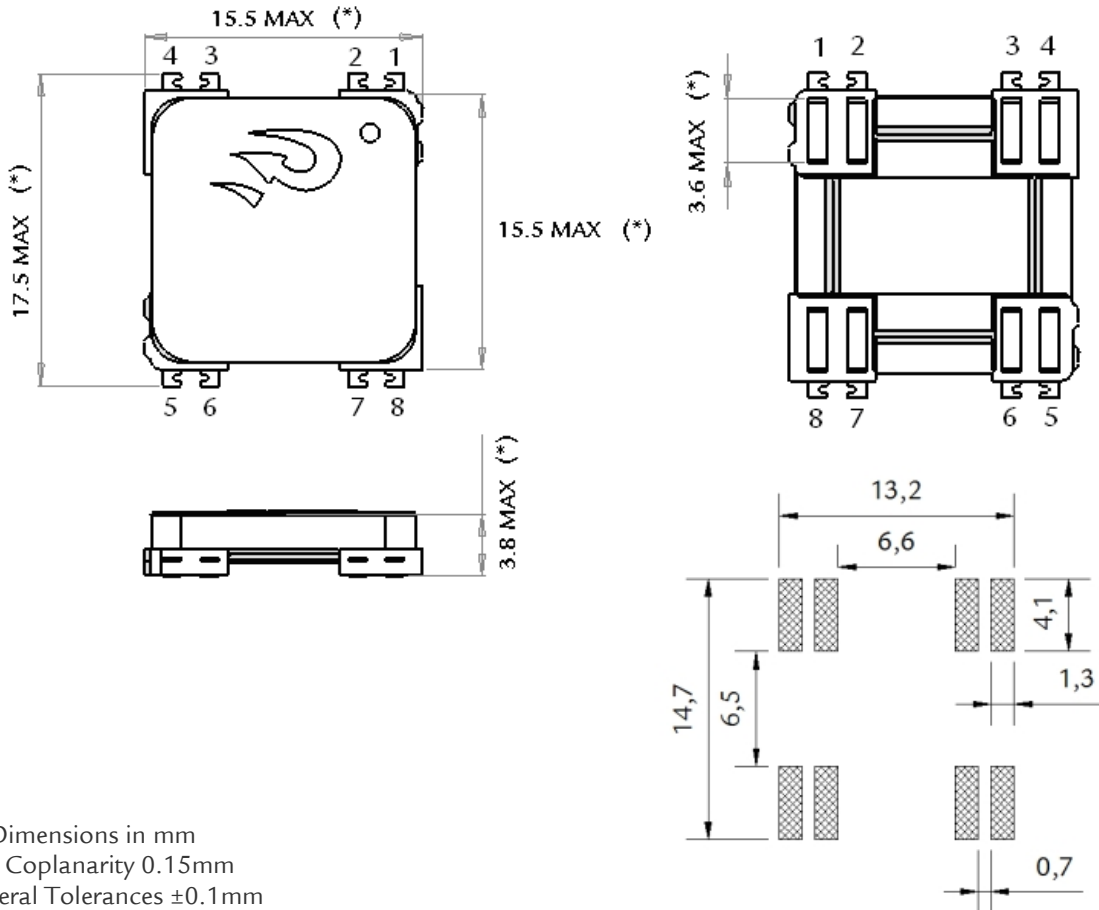
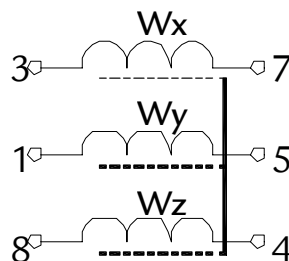


C/Severo Ochoa 33 - Parque Tecnológico de Andalucía. 29590 Campanillas. Málaga (Spain) Phone +34 951 231 320 Fax +34 951 231 321
E-mail: info@grupopremo.com Web <http://www.grupopremo.com>

1. Dimensions and Pad Layout



2. Schematic Diagram

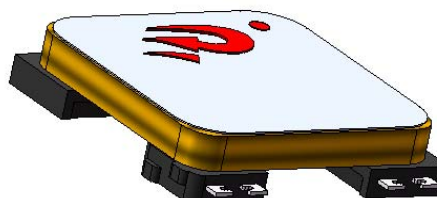


Pins 2 and 6 not connected

C/Severo Ochoa 33 - Parque Tecnológico de Andalucía. 29590 Campanillas. Málaga (Spain) Phone +34 951 231 320 Fax +34 951 231 321
E-mail: info@grupopremo.com Web <http://www.grupopremo.com>

3. Materials

Core: Ferrite Core
SMD Base: LCP
Leadframe: CuSn6 / Cu / Sn
Wires: Enamelled and Selfbonding copper wire
Adhesive: Epoxy-based adhesives
Label: Acrylate



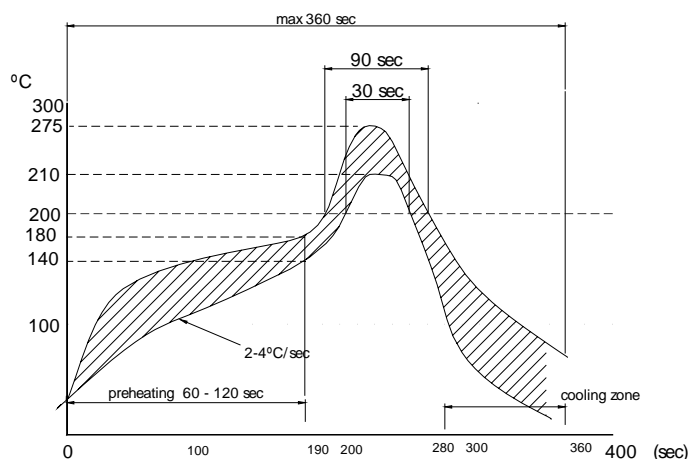
Remark : Products comply with RoHS requirements

4. General Specifications and Recommended Reflow Profile

Typical Operating Frequency 125KHz

Storage Temperature -40 °C → +85 °C

Operating Temperature -40 °C → +85 °C



Lead Free Reflow Profile

5. Electrical Characteristics

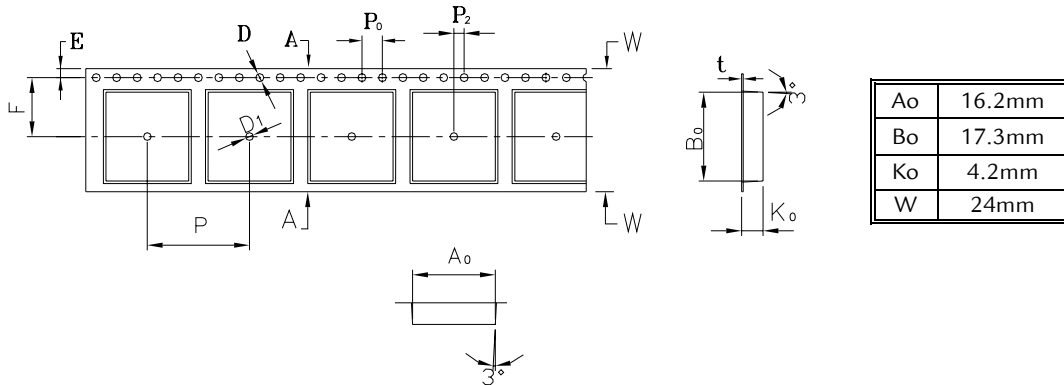
3DC1515

| Code | Lx,y,z (mH) | Qx,y Min | Freq (KHz) | Cres (pF) | SRFx,y (KHz) Min | SRFz (KHz) Min | DCRx,y (Ohm) Max | DCRz (Ohm) Max | Sensitivity x,y,z (mV/App/m) Min | Length (mm) | Width (mm) | Height (mm) |
|-------------|-------------|----------|------------|-----------|------------------|----------------|------------------|----------------|----------------------------------|-------------|------------|-------------|
| 3DC15-0247J | 2.47 | 23 | 125 | 656 | 500 | 1000 | 75 | 75 | 55 | 15.5 | 17.5 | 3.8 |
| 3DC15-0258J | 2.58 | 23 | 125 | 628 | 500 | 800 | 75 | 75 | 57 | | | |
| 3DC15-0345J | 3.45 | 27 | 125 | 470 | 450 | 800 | 85 | 100 | 67 | | | |
| 3DC15-0405J | 4.05 | 27 | 125 | 400 | 400 | 800 | 98 | 98 | 72 | | | |
| 3DC15-0477J | 4.77 | 28 | 125 | 340 | 380 | 800 | 100 | 136 | 85 | | | |
| 3DC15-0491J | 4.91 | 27 | 125 | 330 | 350 | 750 | 105 | 140 | 85 | | | |
| 3DC15-0720J | 7.20 | 30 | 125 | 225 | 330 | 700 | 120 | 172 | 95 | | | |
| 3DC15-1000J | 10.00 | 25 | 125 | 162 | 250 | 550 | 165 | 258 | 105 | | | |

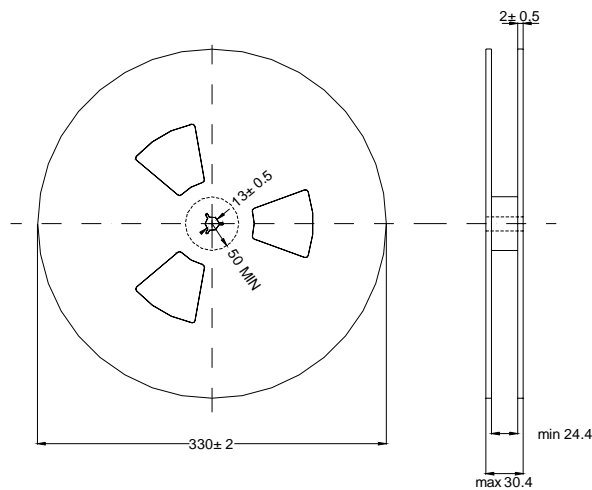
C/Severo Ochoa 33 - Parque Tecnológico de Andalucía. 29590 Campanillas. Málaga (Spain) Phone +34 951 231 320 Fax +34 951 231 321
E-mail: info@grupopremo.com Web <http://www.grupopremo.com>

7. Packaging Information

TAPING SPECIFICATION (According to EIA481)



REEL



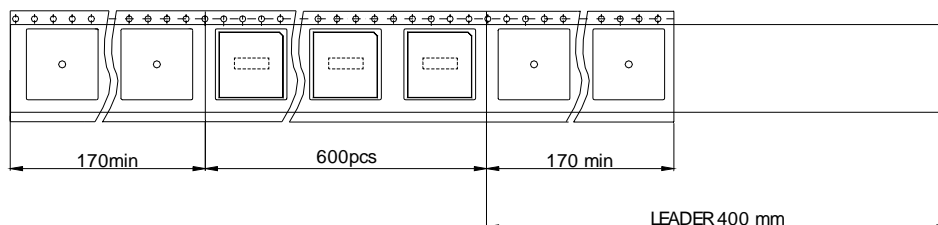
PARTS PER REEL

| |
|---------------|
| 330 mm Φ |
| 600 |

MATERIAL LIST

| ITEM | MATERIAL |
|--------------|------------------------|
| Reel | Shock-Proof Polystyrol |
| Carrier tape | PC Brown Colour 0.3mm |
| Cover tape | Polyester |

TAPING



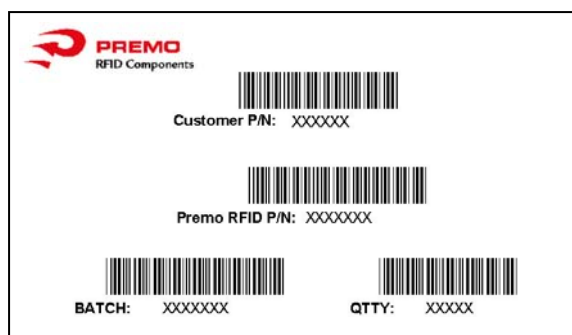
C/Severo Ochoa 33 - Parque Tecnológico de Andalucía. 29590 Campanillas. Málaga (Spain) **Phone** +34 951 231 320 Fax +34 951 231 321
E-mail: info@grupopremo.com Web <http://www.grupopremo.com>

8. Labelling

PART LABELLING



PACKAGE LABELLING



9. Reliability Tests

This part is according to AEC-Q200 Revision C.

| Edition | Revision Date |
|---------|---------------|
| 1 | 18/03/09 |