

FAIRCHILD
SEMICONDUCTOR™

October 1987
Revised January 1999

MM74C14

Hex Schmitt Trigger

General Description

The MM74C14 Hex Schmitt Trigger is a monolithic complementary MOS (CMOS) integrated circuit constructed with N- and P-channel enhancement transistors. The positive and negative going threshold voltages V_{T+} and V_{T-} , show low variation with respect to temperature (typ. $0.0005V/^{\circ}C$ at $V_{CC} = 10V$), and hysteresis, $V_{T+} - V_{T-} \geq 0.2 V_{CC}$ is guaranteed.

All inputs are protected from damage due to static discharge by diode clamps to V_{CC} and GND.

Features

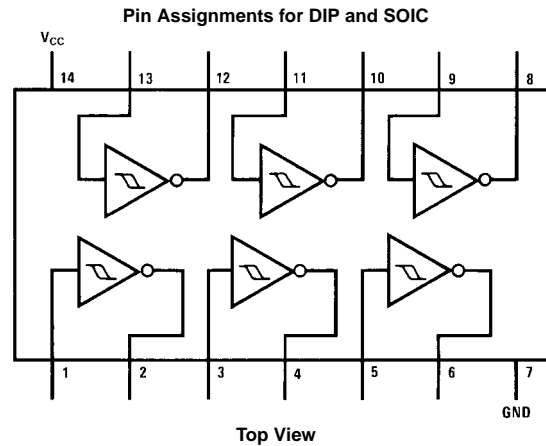
- Wide supply voltage range: 3.0V to 15V
- High noise immunity: $0.70 V_{CC}$ (typ.)
- Low power: TTL compatibility:
 $0.4 V_{CC}$ (typ.) $0.2 V_{CC}$ guaranteed
- Hysteresis: $0.4 V_{CC}$ (typ.): $0.2 V_{CC}$ guaranteed

Ordering Code:

Order Number	Package Number	Package Description
MM74C14M	M14A	14-Lead Small Outline Integrated Circuit (SOIC), JEDEC MS-120, 0.150" Narrow
MM74C14N	N14A	14-Lead Plastic Dual-In-Line Package (PDIP), JEDEC MS-001, 0.300" Wide

Devices also available in Tape and Reel. Specify by appending suffix letter "X" to the ordering code.

Connection Diagram



MM74C14 Hex Schmitt Trigger

MM74C14

Absolute Maximum Ratings (Note 1)		Absolute Maximum V_{CC}	18V
Voltage at Any Pin	-0.3V to $V_{CC} + 0.3V$	Lead Temperature	
Operating Temperature Range	-40°C to +85°C	(Soldering, 10 seconds)	260°C
Storage Temperature Range	-65°C to +150°C	Note 1: "Absolute Maximum Ratings" are those values beyond which the safety of the device cannot be guaranteed. Except for "Operating Temperature Range" they are not meant to imply that the devices should be operated at these limits. The Electrical Characteristics tables provide conditions for actual device operation.	
Power Dissipation			
Dual-In-Line	700 mW		
Small Outline	500mW		
Operating V_{CC} Range	3.0V to 15V		

DC Electrical Characteristics

Min/Max limits apply across the guaranteed temperature range unless otherwise noted

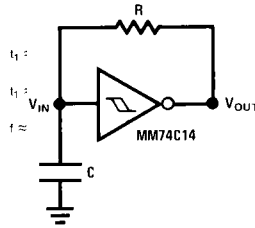
Symbol	Parameter	Conditions	Min	Typ	Max	Units
CMOS TO CMOS						
V_{T+}	Positive Going Threshold Voltage	$V_{CC} = 5V$	3.0	3.6	4.3	V
		$V_{CC} = 10V$	6.0	6.8	8.6	V
		$V_{CC} = 15V$	9.0	10.0	12.9	V
V_{T-}	Negative Going Threshold Voltage	$V_{CC} = 5V$	0.7	1.4	2.0	V
		$V_{CC} = 10V$	1.4	3.2	4.0	V
		$V_{CC} = 15V$	2.1	5.0	6.0	V
$V_{T+} - V_{T-}$	Hysteresis	$V_{CC} = 5V$	1.0	2.2	3.6	V
		$V_{CC} = 10V$	2.0	3.6	7.2	V
		$V_{CC} = 15V$	3.0	5.0	10.8	V
$V_{OUT(1)}$	Logical "1" Output Voltage	$V_{CC} = 5V, I_O = -10 \mu A$	4.5			V
		$V_{CC} = 10V, I_O = -10 \mu A$	9.0			V
$V_{OUT(0)}$	Logical "0" Output Voltage	$V_{CC} = 5V, I_O = 10 \mu A$			0.5	V
		$V_{CC} = 10V, I_O = 10 \mu A$			1.0	V
$I_{IN(1)}$	Logical "1" Input Current	$V_{CC} = 15V, V_{IN} = 15V$		0.005	1.0	μA
$I_{IN(0)}$	Logical "0" Input Current	$V_{CC} = 15V, V_{IN} = 0V$	-1.0	-0.005		μA
I_{CC}	Supply Current	$V_{CC} = 15V, V_{IN} = 0V/15V$		0.05	15	μA
		$V_{CC} = 5V, V_{IN} = 2.5V$ (Note 2)		20		μA
		$V_{CC} = 10V, V_{IN} = 5V$ (Note 2)		200		μA
		$V_{CC} = 15V, V_{IN} = 7.5V$ (Note 2)		600		μA
CMOS/LPTTL INTERFACE						
$V_{IN(1)}$	Logical "1" Input Voltage	$V_{CC} = 5V$	4.3			V
$V_{IN(0)}$	Logical "0" Input Voltage	$V_{CC} = 5V$			0.7	V
$V_{OUT(1)}$	Logical "1" Output Voltage	74C, $V_{CC} = 4.75V, I_O = -360 \mu A$	2.4			V
$V_{OUT(0)}$	Logical "0" Output Voltage	74C, $V_{CC} = 4.75V, I_O = 360 \mu A$			0.4	V
OUTPUT DRIVE (see Family Characteristics Data Sheet) $T_A = 25^\circ C$ (Short Circuit Current)						
I_{SOURCE}	Output Source Current (P-Channel)	$V_{CC} = 5V, V_{OUT} = 0V$	-1.75	-3.3		mA
I_{SOURCE}	Output Source Current (P-Channel)	$V_{CC} = 10V, V_{OUT} = 0V$	-8.0	-15		mA
I_{SINK}	Output Sink Current (N-Channel)	$V_{CC} = 5V, V_{OUT} = V_{CC}$	1.75	3.6		mA
I_{SINK}	Output Sink Current (N-Channel)	$V_{CC} = 10V, V_{OUT} = V_{CC}$	8.0	16		mA
Note 2: Only one of the six inputs is at $\frac{1}{2} V_{CC}$; the others are either at V_{CC} or GND.						

AC Electrical Characteristics (Note 3)						
T _A = 25°C, C _L = 50 pF, unless otherwise specified						
Symbol	Parameter	Conditions	Min	Typ	Max	Units
t _{PD0}	Propagation Delay from Input to Output	V _{CC} = 5V		220	400	n
t _{PD1}		V _{CC} = 10V		80	200	ns
C _{IN}	Input Capacitance	Any Input (Note 4)		5.0		pF
C _{PD}	Power Dissipation Capacitance	Per Gate (Note 5)		20		pF

Note 3: AC Parameters are guaranteed by DC correlated testing.
Note 4: Capacitance is guaranteed by periodic testing.
Note 5: C_{PD} determines the no load AC power consumption of any CMOS device. For complete explanation see Family Characteristics Application Note—AN-90.

Typical Applications

Low Power Oscillator

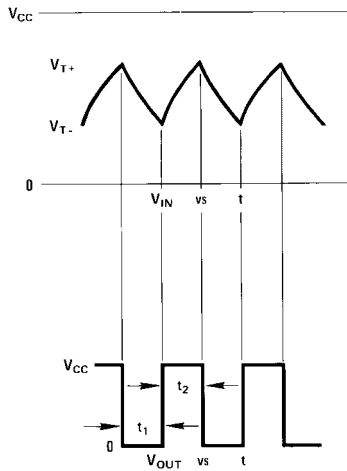


$$t_1 \approx RC \ln \frac{V_{T+}}{V_T}$$

$$t_2 \approx RC \ln \frac{V_{CC} - V_{T-}}{V_{CC} - V_{T+}}$$

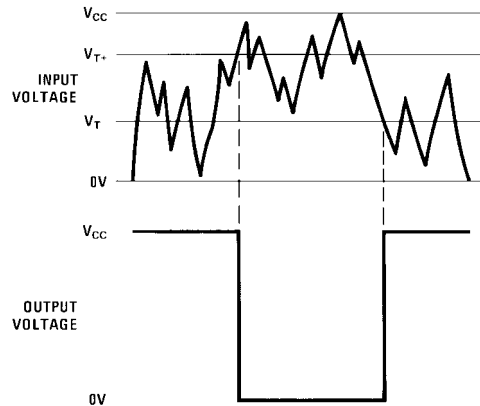
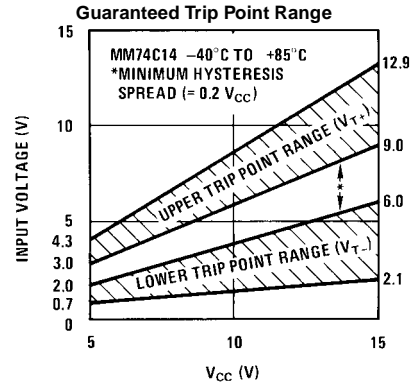
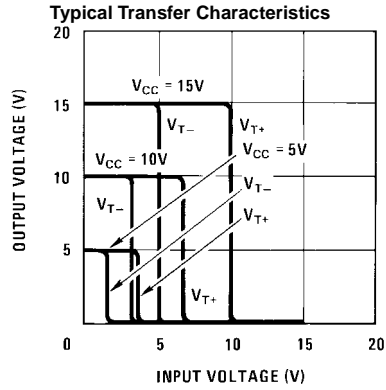
$$f \approx \frac{1}{RC \ln \frac{V_{T+}}{V_T} (V_{CC} - V_{T-})} \approx \frac{1}{1.7 RC}$$

Note: The equations assume $t_1 + t_2 \gg t_{pd0} + t_{pd1}$



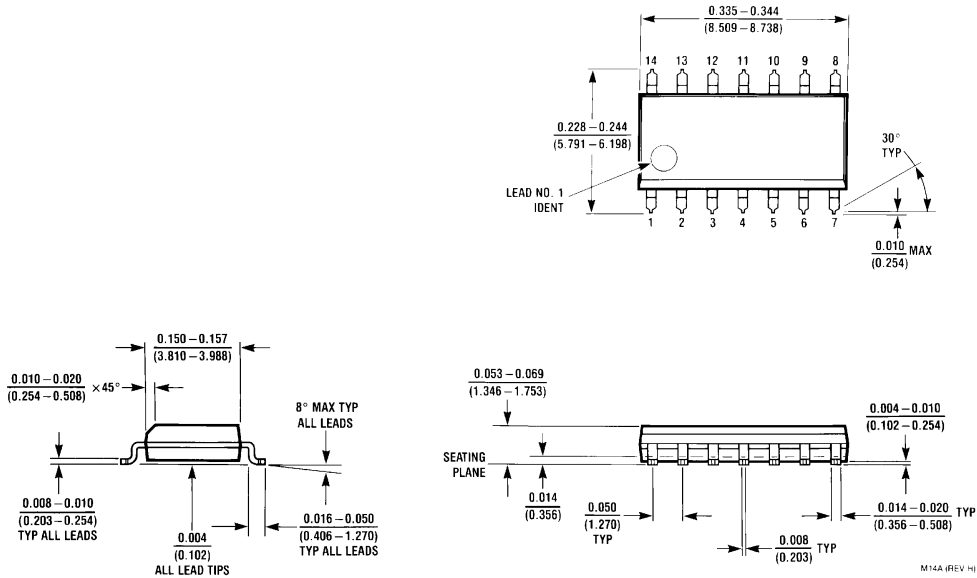
MM74C14

Typical Performance Characteristics



Note: For more information on output drive characteristics, power dissipation, and propagation delays, see AN-90.

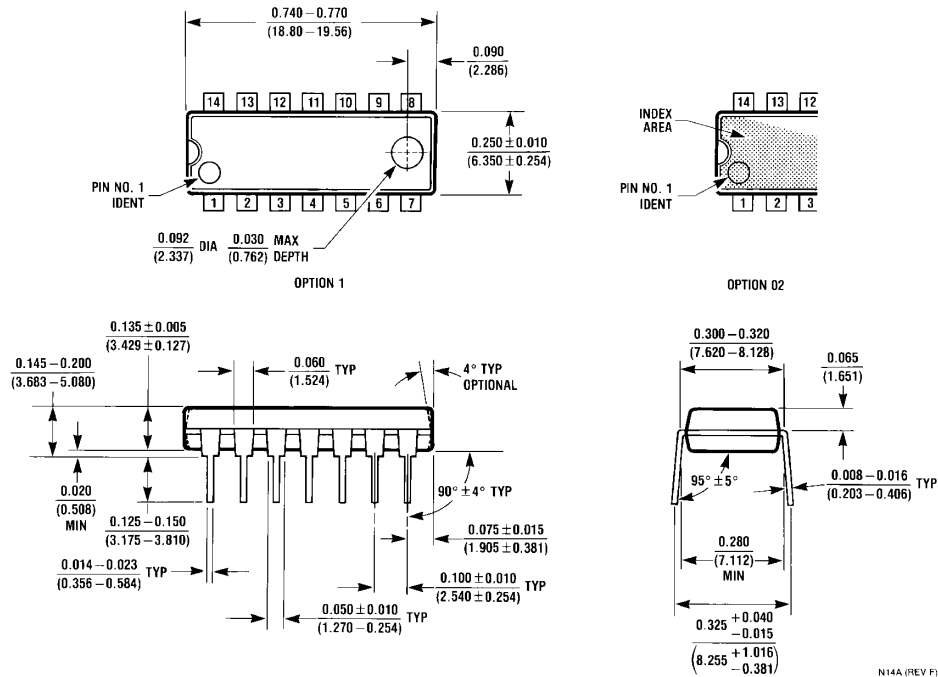
Physical Dimensions inches (millimeters) unless otherwise noted



14-Lead Small Outline Integrated Circuit (SOIC), JEDEC MS-120, 0.150" Narrow Package Number M14A

MM74C14 Hex Schmitt Trigger

Physical Dimensions inches (millimeters) unless otherwise noted (Continued)



14-Lead Plastic Dual-In-Line Package (PDIP), JEDEC MS-001, 0.300" Wide Package Number N14A

LIFE SUPPORT POLICY

FAIRCHILD'S PRODUCTS ARE NOT AUTHORIZED FOR USE AS CRITICAL COMPONENTS IN LIFE SUPPORT DEVICES OR SYSTEMS WITHOUT THE EXPRESS WRITTEN APPROVAL OF THE PRESIDENT OF FAIRCHILD SEMICONDUCTOR CORPORATION. As used herein:

1. Life support devices or systems are devices or systems which, (a) are intended for surgical implant into the body, or (b) support or sustain life, and (c) whose failure to perform when properly used in accordance with instructions for use provided in the labeling, can be reasonably expected to result in a significant injury to the user.
2. A critical component in any component of a life support device or system whose failure to perform can be reasonably expected to cause the failure of the life support device or system, or to affect its safety or effectiveness.

www.fairchildsemi.com

Fairchild does not assume any responsibility for use of any circuitry described, no circuit patent licenses are implied and Fairchild reserves the right at any time without notice to change said circuitry and specifications.