

Issued on Apr. 10, 2002

Sales & Marketing Group

-Electronic Components & Devices

Model GH30507T2A/GH30707A2A

Monolithic, Dual-wavelength Laser Diode for DVD Video

Features

- 654 nm and 788 nm monolithic, dual-wavelength type
- Achieves the high precision of the interval between the emission points due to monolithic (one chip) construction
- Ø5.6-mm standard stem package

Applications

- DVD video

Specifications

T_c=25 °C

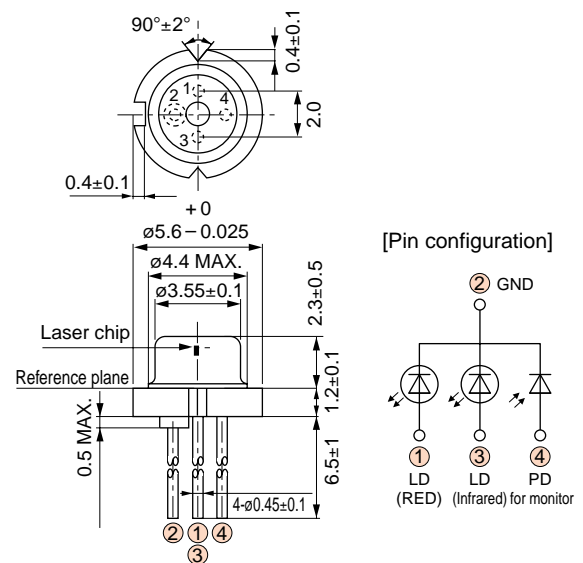
Parameter	Symbol	Condition	Characteristics			
			GH30507T2A (Self-pulsation type)		GH30707A2A	
			Red (for DVD)	Infrared (for CD)	Red (for DVD)	Infrared (for CD)
Optical power output	P _o	—	MAX. 5 mW	MAX. 7 mW	MAX. 7 mW	MAX. 7 mW
Threshold current	I _{th}	—	TYP. 45 mA	TYP. 34 mA	TYP. 25 mA	TYP. 34 mA
Operating current	I _{op}	—	TYP. 55 mA	TYP. 44 mA	TYP. 39 mA	TYP. 44 mA
Operating voltage	V _{op}	(CD-ROM: P _o =5 mW)	MAX. 2.5 V	MAX. 1.9 V	MAX. 2.2 V	MAX. 1.9 V
Wavelength	λ _p	(DVD video: P _o =5 mW)	TYP. 654 nm	TYP. 788 nm	TYP. 654 nm	TYP. 788 nm
Half intensity angle	Parallel	θ _{//}	TYP. 8.5°	TYP. 14°	TYP. 8.5°	TYP. 14°
	Perpendicular	θ _⊥	TYP. 35°	TYP. 38°	TYP. 30°	TYP. 38°
Operating temperature	T _{op}	—	-10 to +70 °C		-10 to +70 °C	

Model Configuration

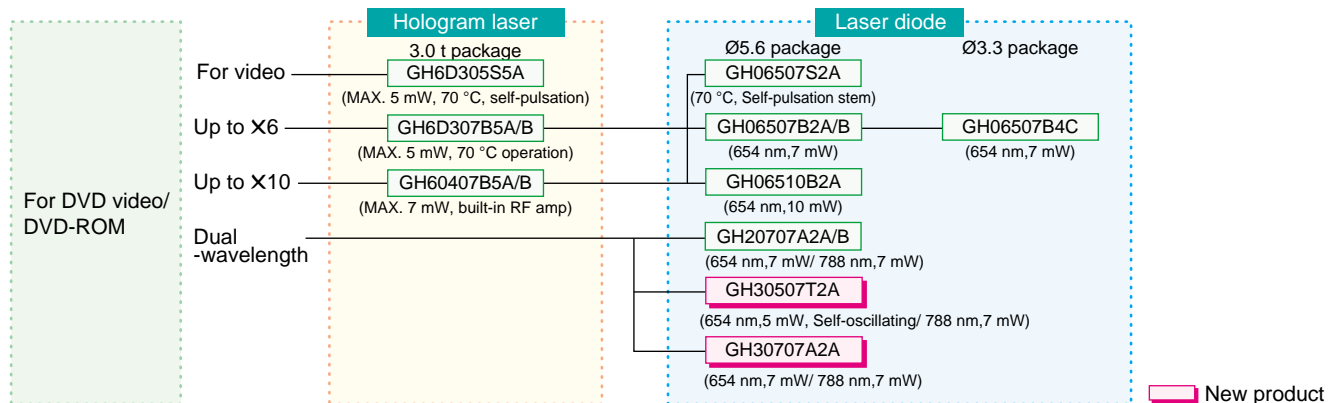
GH30507T2A: Red, self-pulsation chip (MAX. 5 mW)

GH30707A2A: Red chip (MAX. 7 mW)

Outline Dimensions (Unit: mm)



Line-up of Laser Diode



Notice:

- In the absence of confirmation by device specification sheets, SHARP takes no responsibility for any defects that may occur in equipment using any SHARP devices shown in catalogs, data books, etc. Contact SHARP in order to obtain the latest device specification sheets before using any SHARP devices.
- Specifications, model names and availabilities are subject to change without notice for improvement.