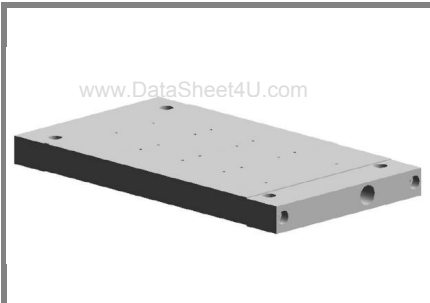


NWK 40



SEMİKRON Heatsinks

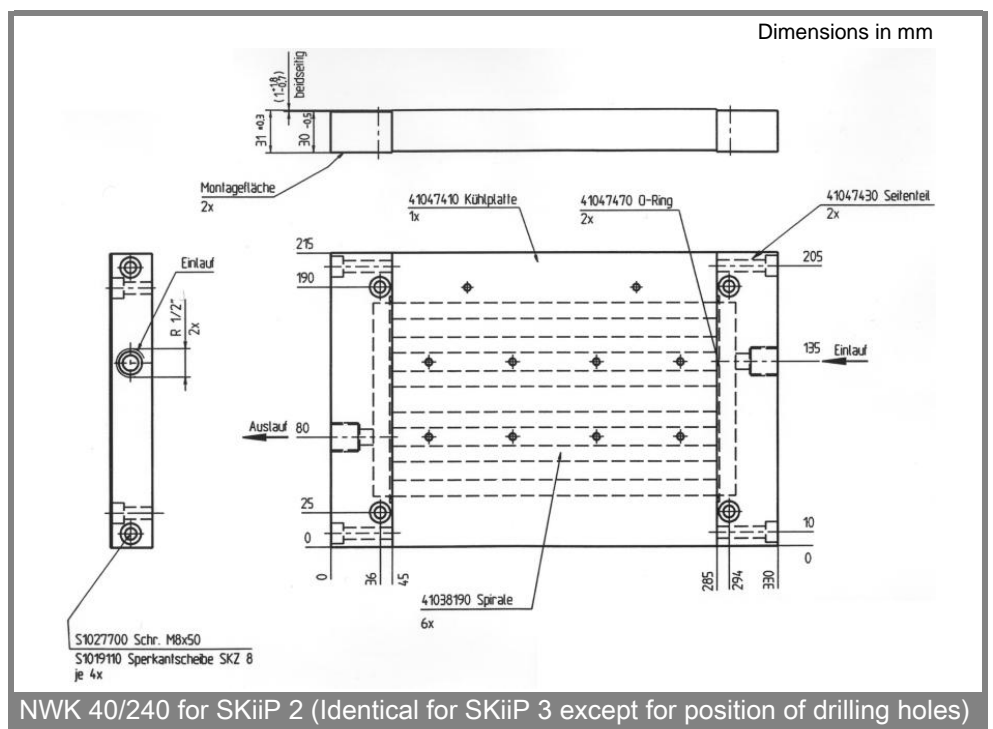
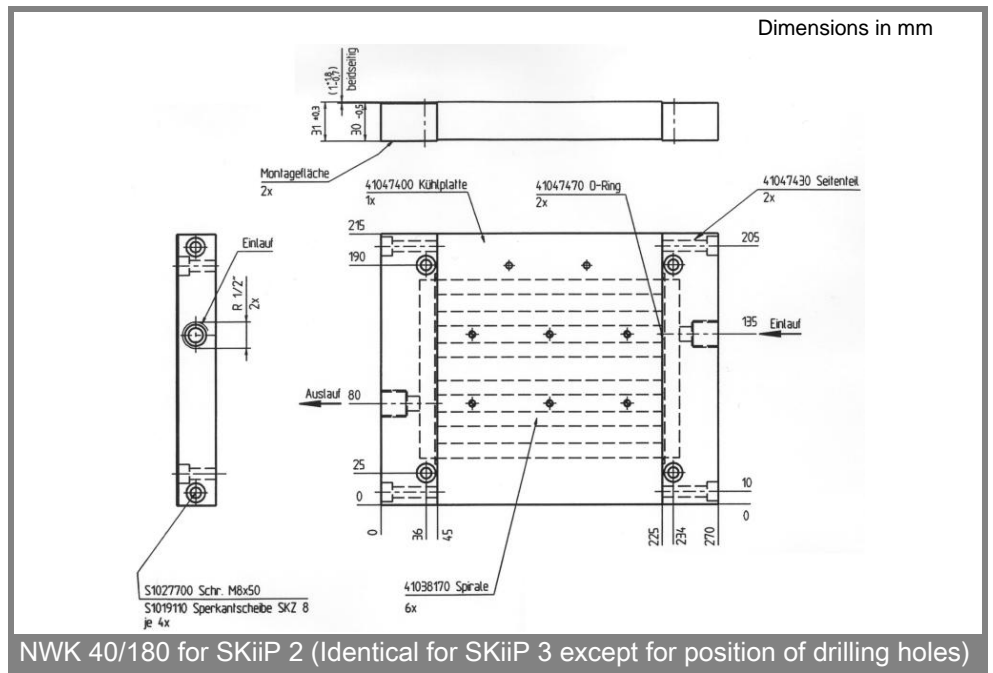
Standard lengths	n	b / d Ø mm	$R_{th(s-w)}$ (SKiiP 2) $R_{th(sensor-water)}$ K/W	$R_{th(r-w)}$ (SKiiP 3) $R_{th(sensor-water)}$ K/W	w kg
NWK 40/180		SKiiP 2	50% glycol ; 8 l/min		
NWK 40/240		2-fold	0,0148		4,26
NWK 40/300		3-fold	0,0125		5,18
		4-fold	0,010		6,14
		SKiiP 3		50% glycol ; 8 l/min	
NWK 40/180		2-fold		0,012	4,26
NWK 40/240		3-fold		0,011	5,18
NWK 40/300		4-fold		0,009	6,14

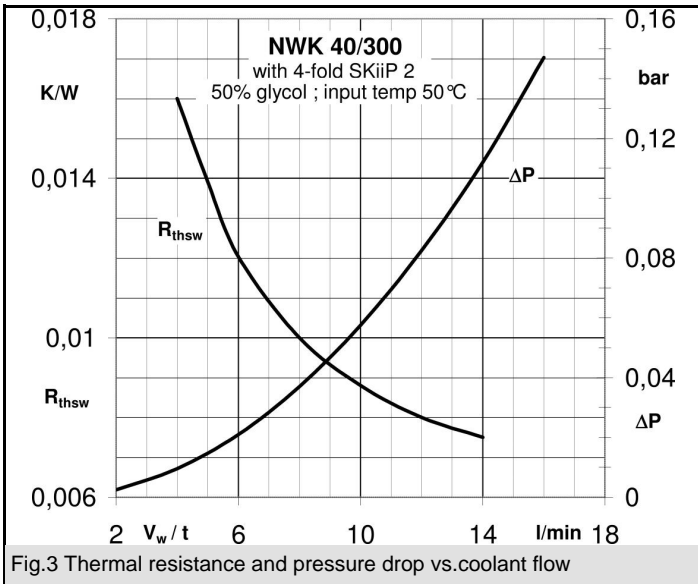
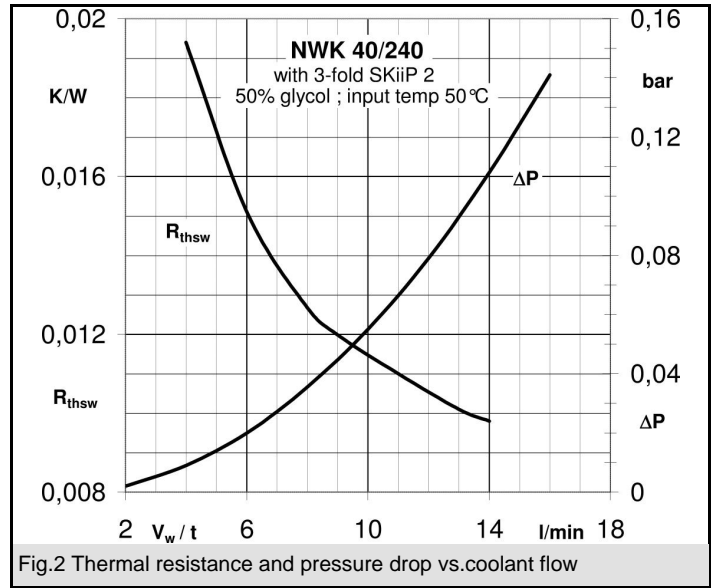
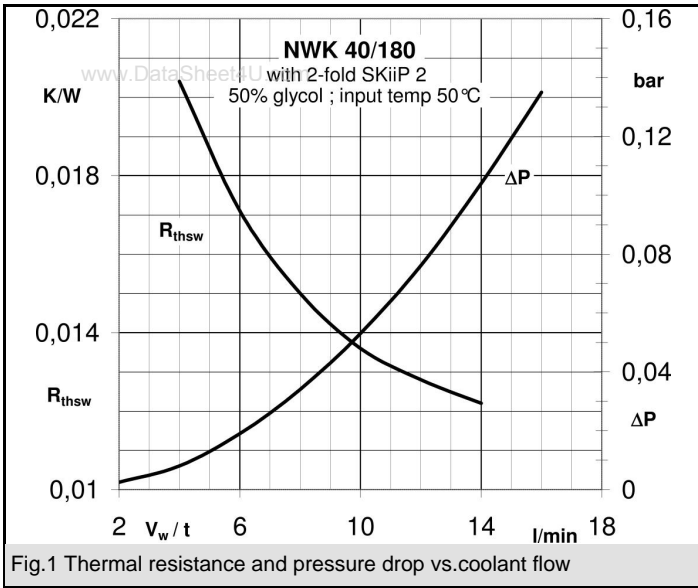
For SKiiP 2 + 3

NWK 40

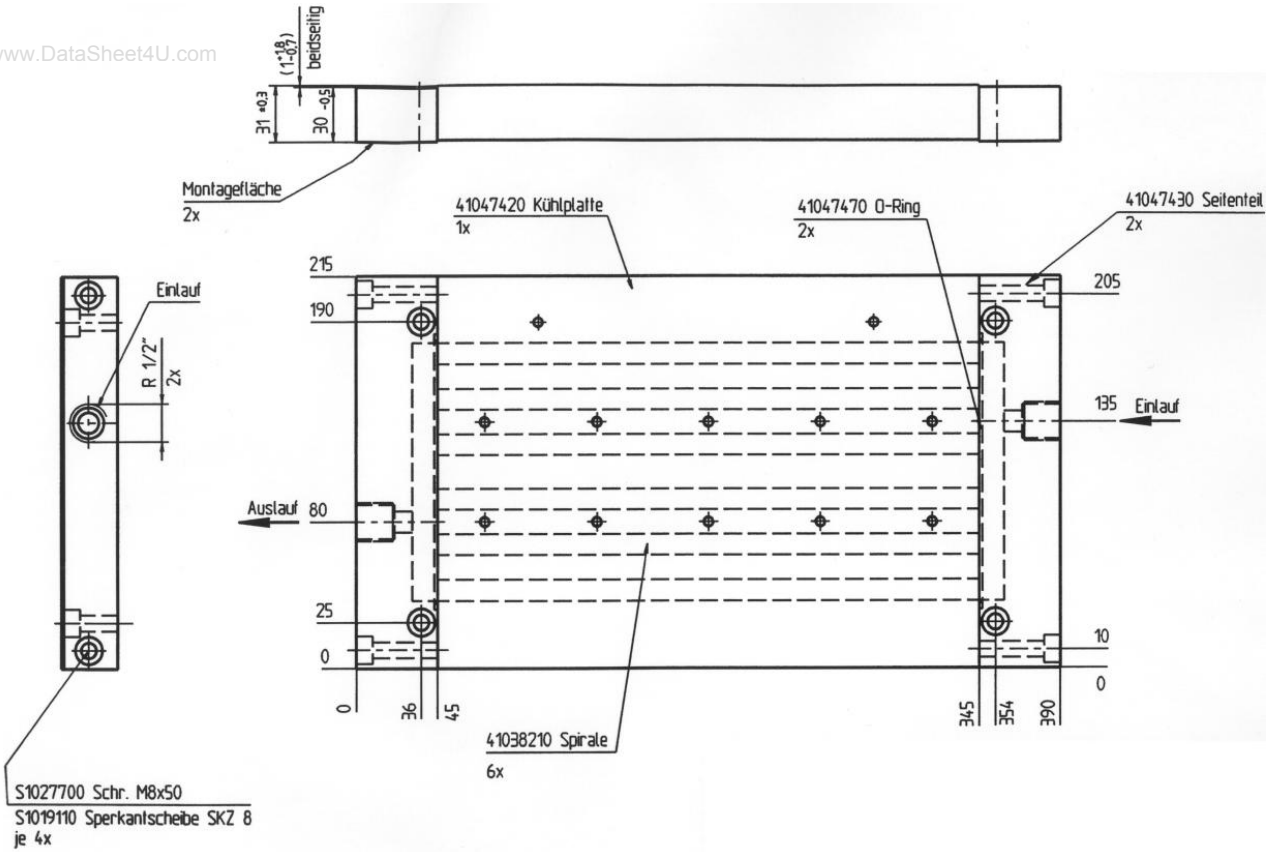
Features

- Intended for water/liquid cooling of 2-fold, 3-fold + 4-fold versions of SKiiP 2 + 3
- Different side parts available for different directions/positions of In/Out coolant nozzles (contact SEMİKRON for more info)





www.DataSheet4U.com



NWK 40/300 for SKiiP 2 (Identical for SKiiP 3 except for position of drilling holes)