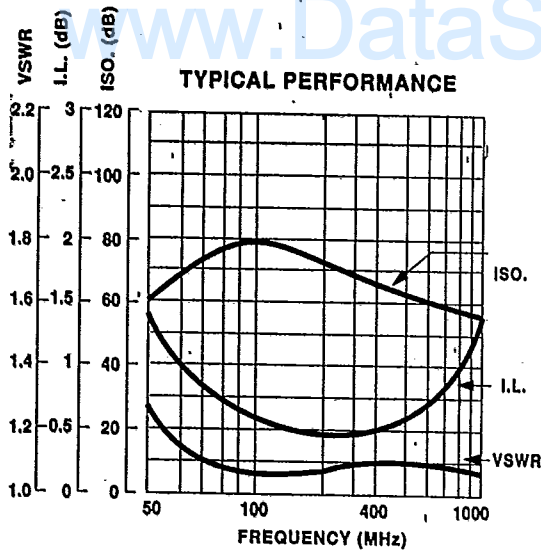
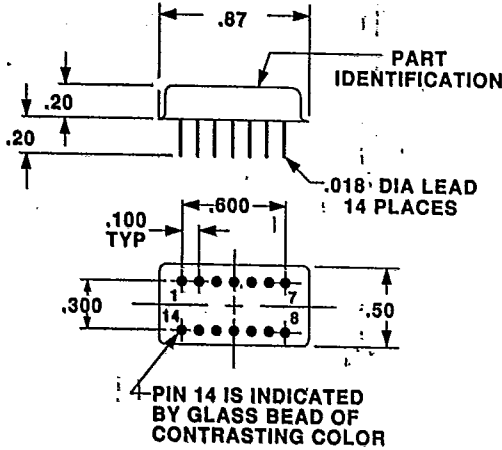
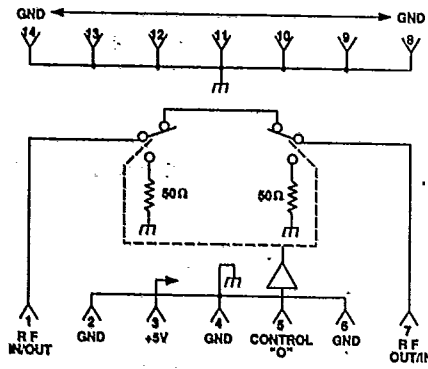


T-51-11

DS0461 SPST

- Built-in TTL compatible driver
- Terminated in 50 ohms in OFF position



OPERATING CHARACTERISTICS

PARAMETER	MIN	TYP	MAX	UNITS	CONDITIONS
CURRENT DRAIN		70	110	μ A	AT +5V DC SUPPLY
INTERCEPT POINT, 2ND 3RD		+64 +40		dBm dBm	
SWITCHING TRANSIENTS		1.6		V	PEAK VALUE
TRANSITION TIME		120		nSEC	
SWITCHING SPEED		140	500	nSEC	50X TTL TO 90/10X RF
CONTROL CURRENT, HI LO		50 +400		μ A μ A	V _{IN} =2.7V V _{IL} =0.5V
INSERTION LOSS		0.5	1.2	dB	
ISOLATION	60 50			dB dB	90-450 MHz 450-600 MHz
VSWR			1.25/1 1.35/1		
IMPEDANCE		50		OHMS	
RF POWER, OPERATE MAXIMUM		+17	+13 +30	dBm dBm	.1 DB COMPRESSION NO DAMAGE
OPERATING FREQUENCY		90	600	MHZ	
OPERATING TEMPERATURE	-54	+25	+95	$^{\circ}$ C	T _A

CONTROL: 1 LINE TTL, LOGIC "0" = THRU

MODEL NO. DS0461



SPST
90-600 MHz