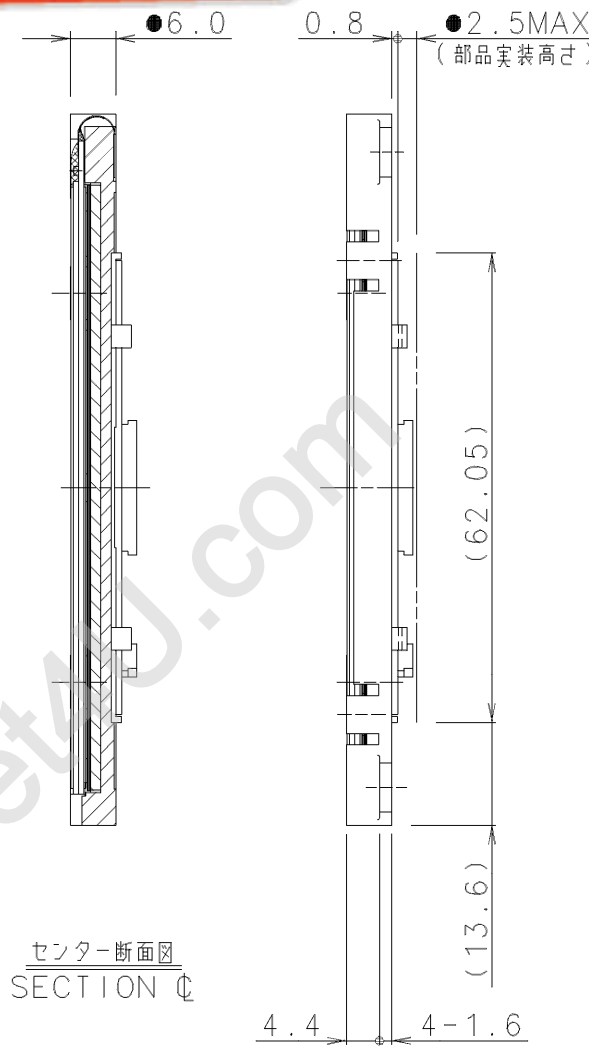
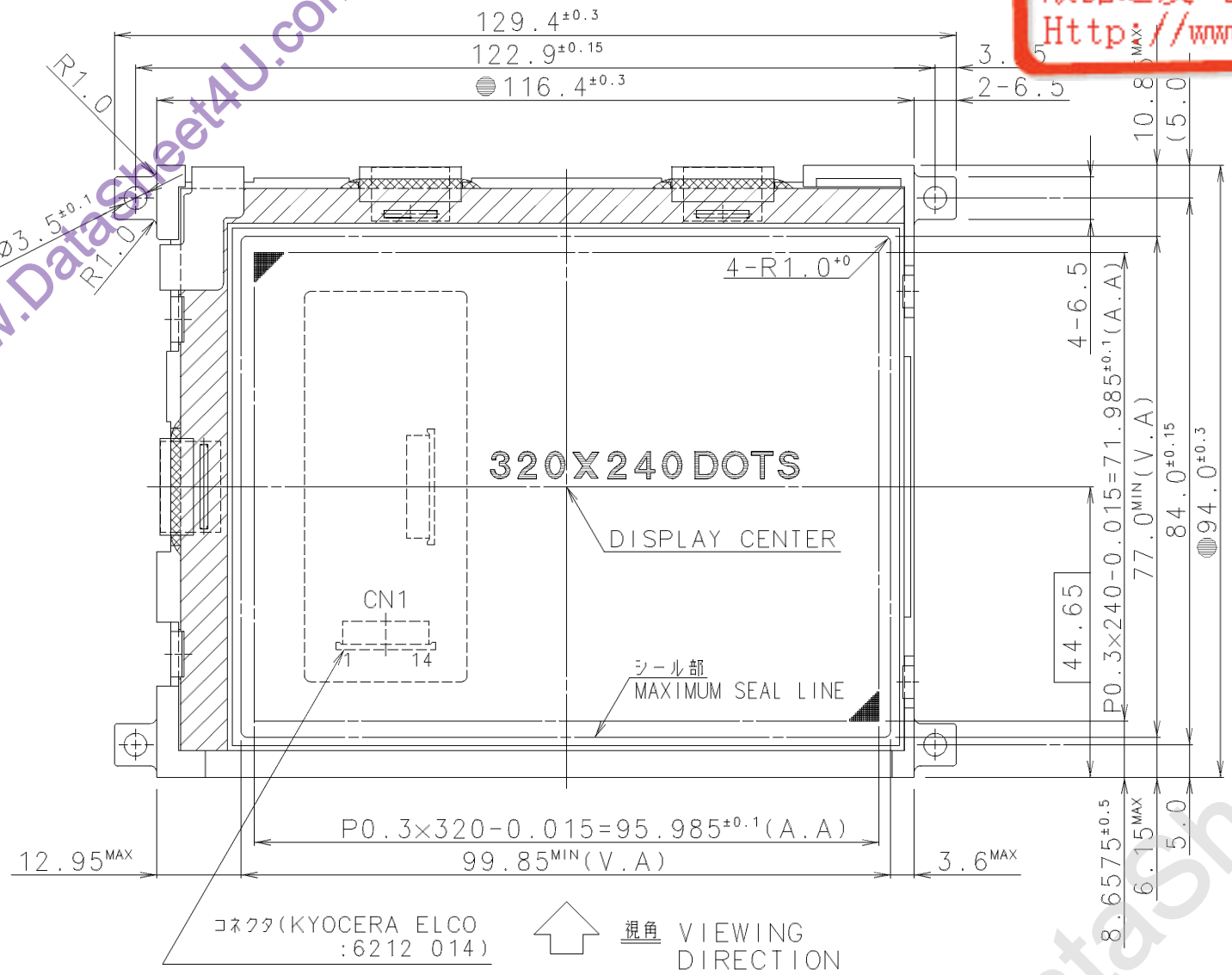


液晶之友 电话: 020-33819057
 Http://www.lcdfriends.com

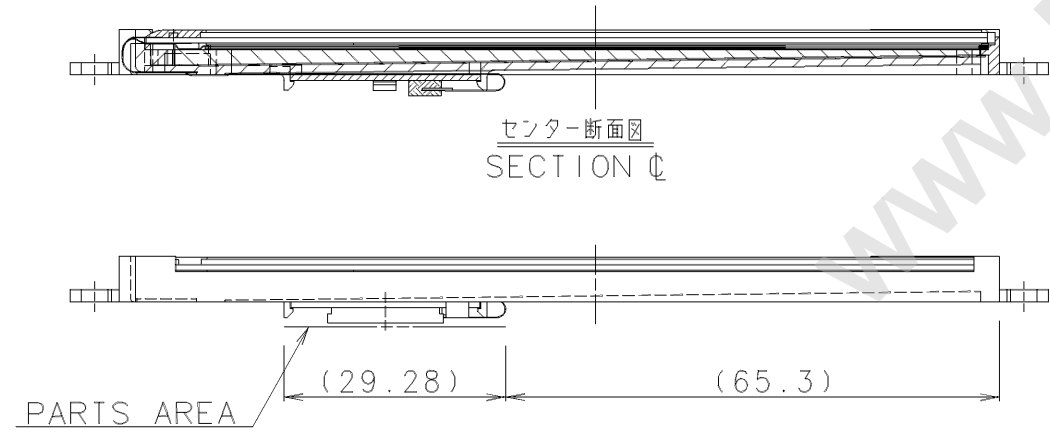
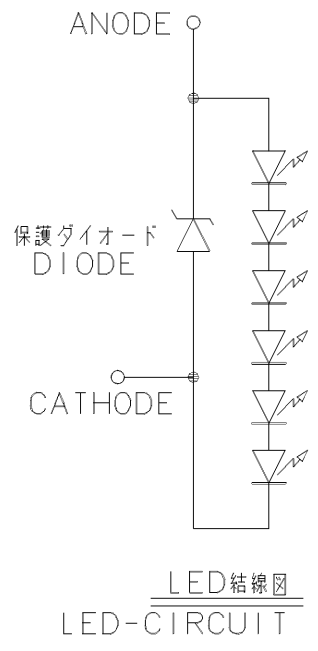
ISSUE	REVISIONS	DRAWN	APPROVED	DATE
△				

www.DataSheet4U.com



PIN ASSIGNMENT
 CN1:

No.	SYMBOL
1	VSS
2	VSS
3	FLM
4	LP
5	CP
6	DISPOFF
7	VCC
8	D3
9	D2
10	D1
11	D0
12	VHH/VCONT
13	B/L
14	NC



- 注記
- 1) 視角: 液晶表示が最も良く見える方向
 - 2) で囲まれた範囲はシリコン塗布の最大範囲とし高さは偏光板より上へ出ないものとする。
 - 3) で囲まれた範囲はUV硬化樹脂及びシリコンの最大塗布範囲とする。
 - 4) 印付き寸法は重要管理寸法とする。

- NOTES
- 1) VIEWING DIRECTION: DIRECTION THAT YOU CAN SEE THE DISPLAY MOST CLEARLY.
 - 2) THE MARK OF SHOWS THE AREA OF SILICON MAX COATING. THE SILICON SHOULD NOT BE PROTRUDE FROM THE EDGE OF LCDP AND SHOULD NOT INCREASE THE THICKNESS OF THE FRONT POLARIZER.
 - 3) THE MARK OF SHOWS THE MOLD AREA OF UV RESIN & SILICON. (MAX.)
 - 4) THE DIMENSIONS WITH THE MARK (●) ARE CONTROLLED AS A PARTICULAR CHARACTERISTIC.

MEASURE	TOLERANCE			THIRD ANGLE PROJECTION	DATE JUL. 7'04
	A	B	C		
L ≤ 16	±0.1	±0.3	±1	UNIT	APPROVED T. Suzuki
16 < L ≤ 63	±0.2	±0.5	±1.5	mm	CHECKED N. Wada
63 < L ≤ 250	±0.3	±0.8	±2	SCALE	DRAWN M. Nakayama
250 < L ≤ 500	±0.5	±1.2	±3	1:1	
500 < L	±0.8	±2	±4		
ANGLE	±1°	±5°	±10°		

OPTREX CORPORATION	DWG NO
TITLE	UE-311442
CODE	
DIMENSIONAL OUTLINE	
E51477 AG base	