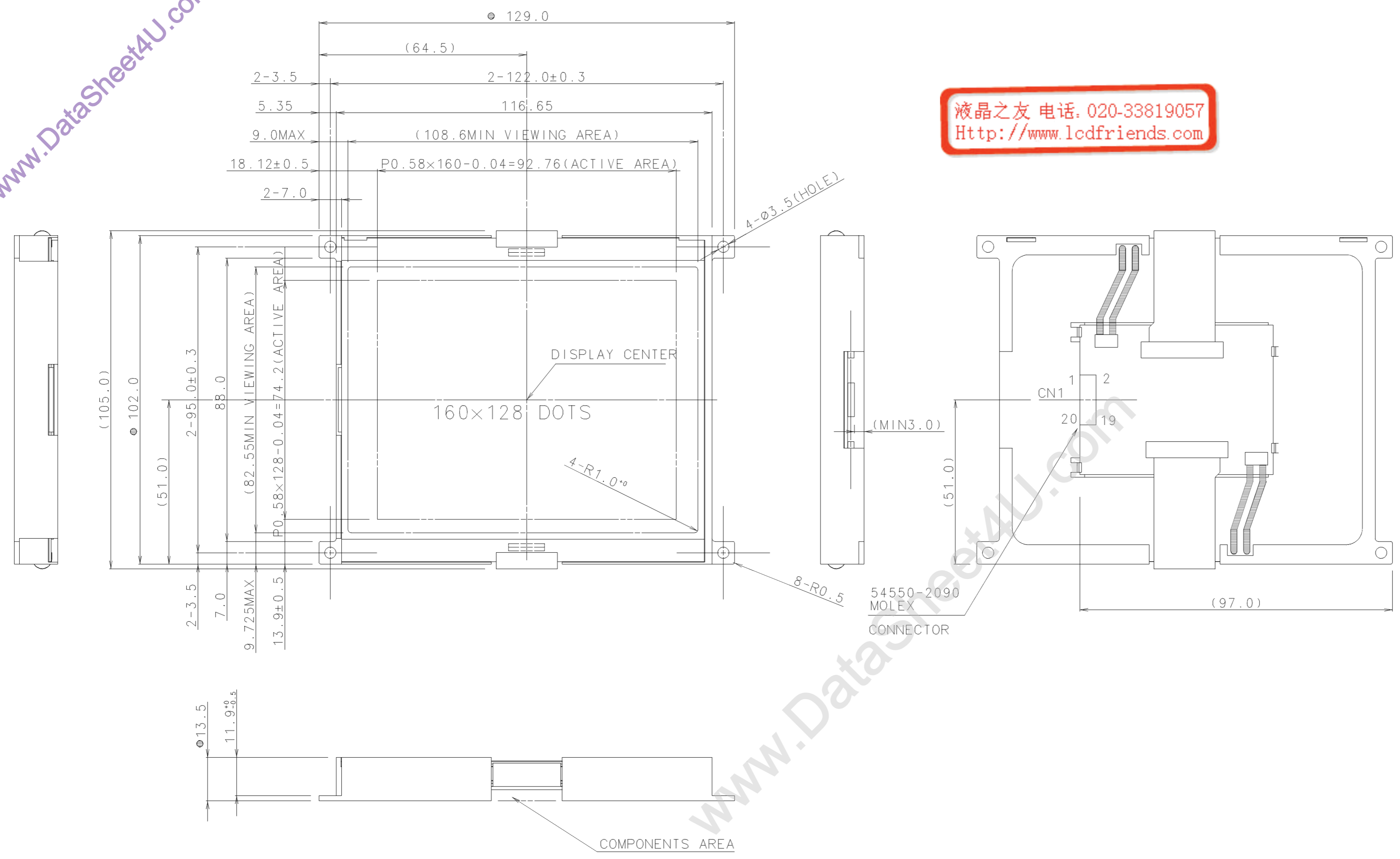
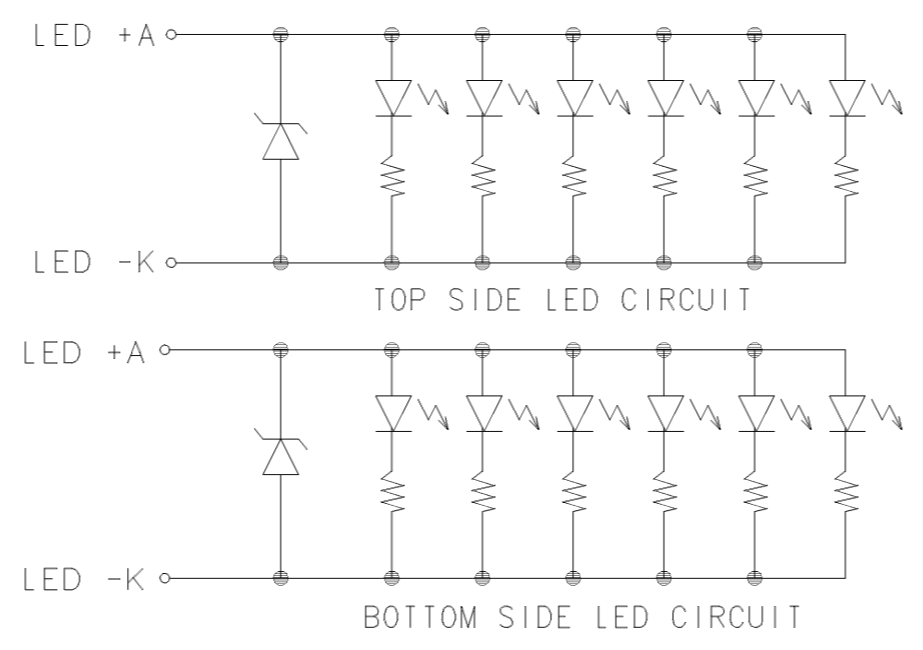
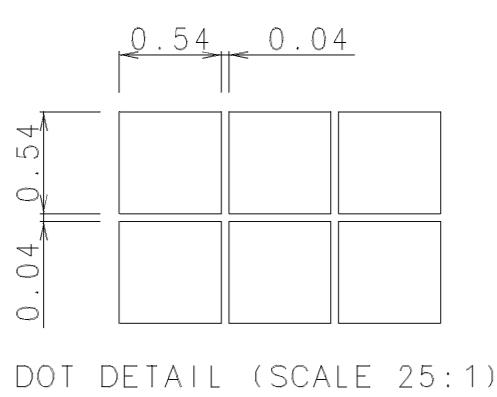


液晶之友 电话: 020-33819057  
 Http://www.lcdfriends.com



PIN ASSIGNMENT

CN1	
PIN NO.	SYMBOL
1	CS1
2	CS2
3	RES
4	A0
5	WR(R/W)
6	RD(E)
7	D0
8	D1
9	D2
10	D3
11	D4
12	D5
13	D6
14	D7
15	VSS
16	VDD
17	VOUT
18	V3
19	LED +A
20	LED -K



NOTES:

- Do not use materials which are prohibited by RoHS.
- The dimensions with the mark (•) are controlled as a particular characteristic.

MEASURE	TOLERANCE			THIRD ANGLE PROJECTION	DATE	OPTREX CORPORATION	
	A	B	C		Feb.28'05	TITLE	
L≤16	±0.1	±0.3	±1	UNIT	APPROVED	DIMENSIONAL OUTLINE	
16<L≤63	±0.2	±0.5	±1.5	mm	M.MOTOHASHI	CODE	F51854AB base
63<L≤250	±0.3	±0.8	±2	SCALE	CHECKED	DWG NO	UE-211023
250<L≤500	±0.5	±1.2	±3	1:1	T.SUZUKI		
500<L	±0.8	±2	±4		DRAWN		
ANGLE	±1°	±5°	±10°		X.Hawk		