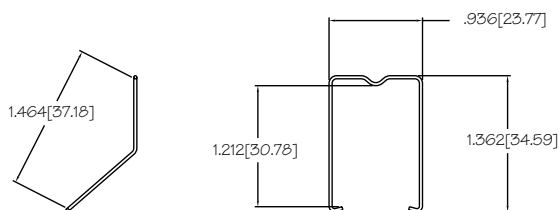


RELAY SOCKET ACCESSORIES

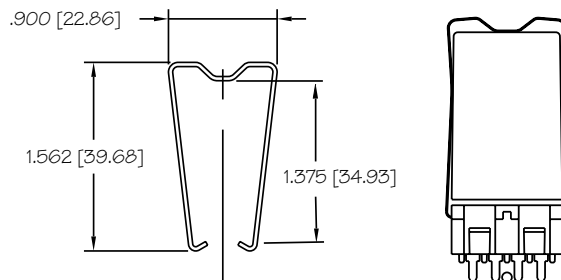
HOLD DOWN SPRINGS

DRAWINGS & SPECIFICATIONS



MHO

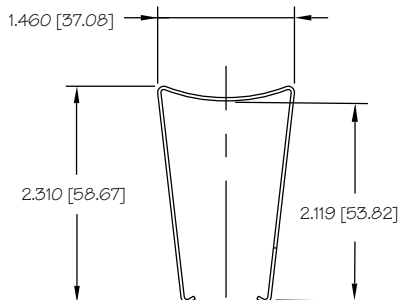
**ES15/4, ES15/2N, ES15/3N,
ES15/4N, ES15/4S, ES15/4G**



Refer to this illustration for spring positioning

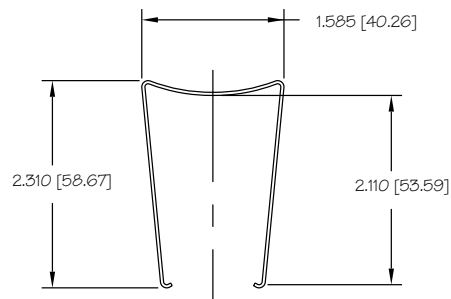
HDB-4

GR, GT, MR, MT SERIES



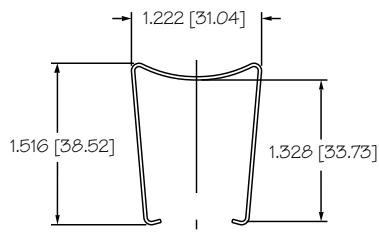
HDB-5

CM SERIES



HDB-8

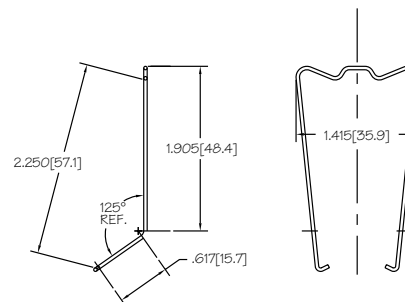
SS, ST SERIES



Refer to this illustration for spring positioning

HDB-9

**GR108-PCB, GR108-SLD,
MR SERIES**



HDB-13

ES8, ES11 SERIES