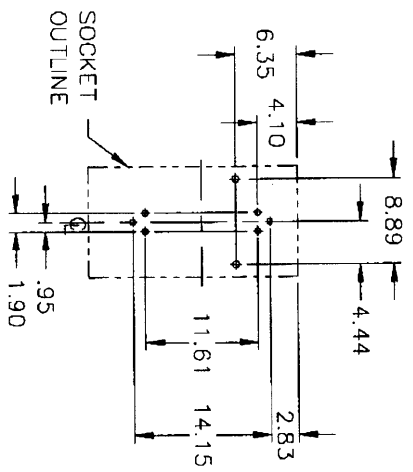
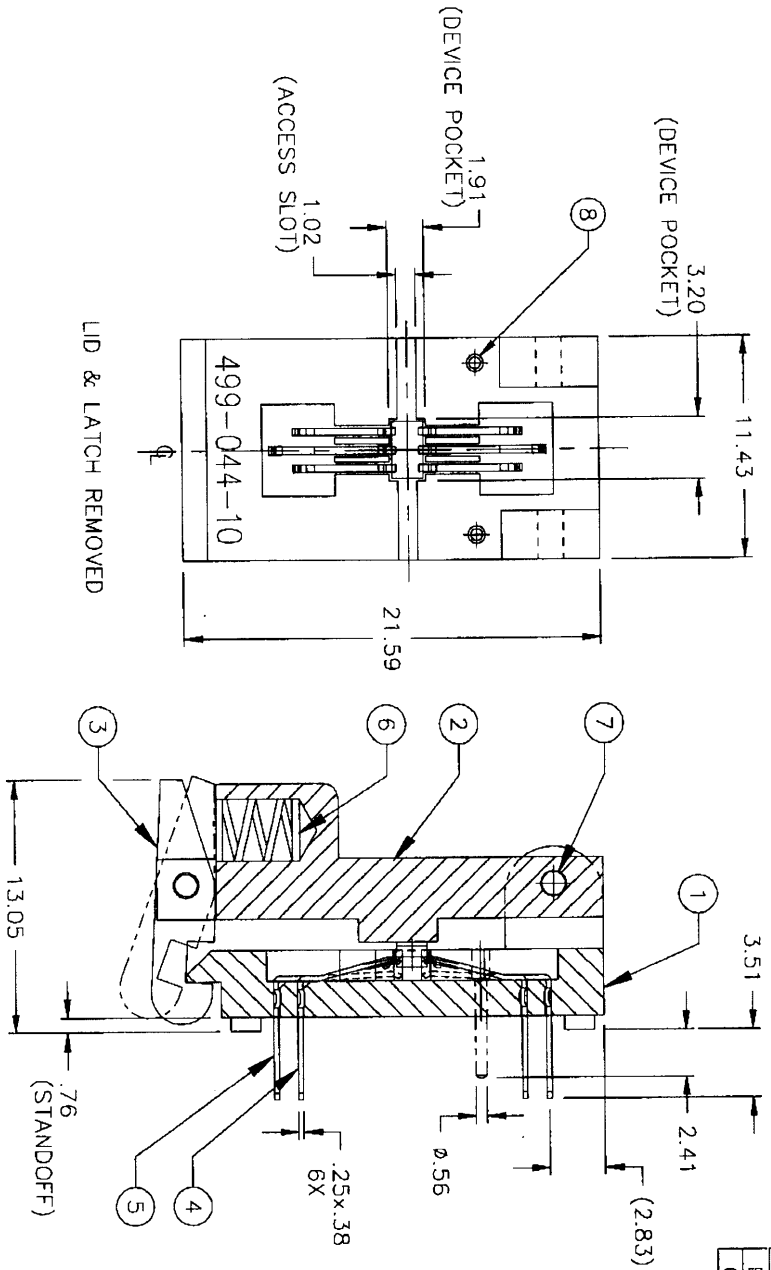


282

REV	ECO	DESCRIPTION	DATE	APPD
-	2360	RELEASE	10/17/95	RRG
A	2431	P/N: 499-044-10 WAS -00	3/7/96	RRG
B	2962	ADD MISSING DIM. TO PRINT	10/3/97	SJC
C	3151	CHANGE LID		



BOARD LAYOUT
SCALE: 2X

1. MAT'L & FINISH:
BODY, LID, LATCH - PPS, AS MOLDED
CONTACTS - BeCu, Au PLATING

NOTES: UNLESS OTHERWISE SPECIFIED

DIMENSIONS ARE IN MILLIMETER INTERPRET PER ANSI Y14.5M-1982		TOLERANCES ANGLES ± 1° X.X = ±.3 XXX = ±.12		SPEC JEDEC SOT-23		A SUBSIDIARY OF pd		6-LEAD SOCKET ASSY, (SOT-23)	
THIS DOCUMENT CONTAINS PROPRIETARY INFORMATION WHICH IS THE CONFIDENTIAL PROPERTY OF:		CTI TECHNOLOGIES, INC. SCOTTSDALE, AZ 85260		DRWN S. COX 10/03/97		ENGR APPD		SIZE DWG NO. B 499-044-10	
						PROJECTION		SCALE: 4 : 1 SHEET 1 OF 1	