

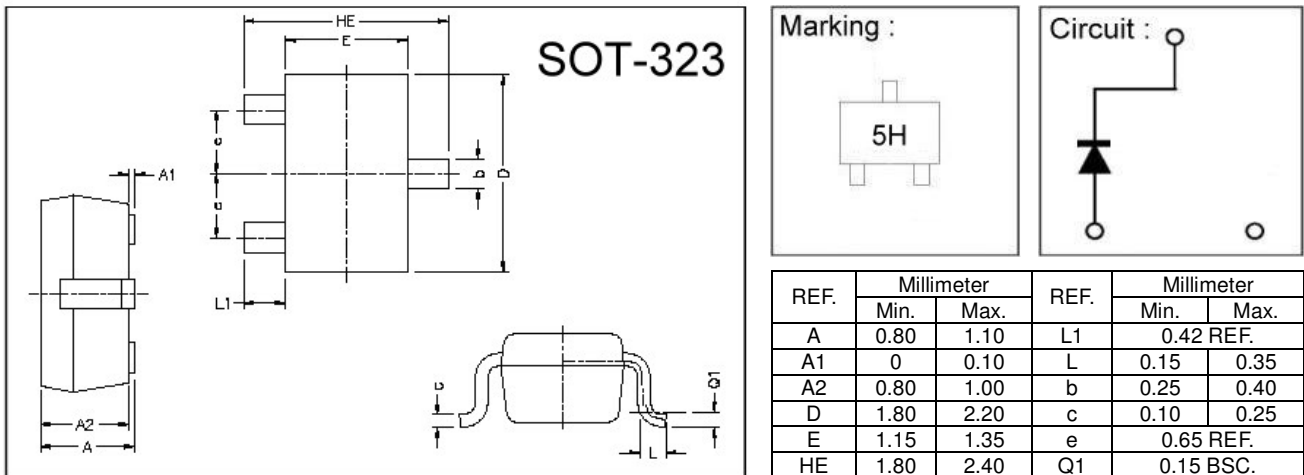
GSMBD4148

SURFACE MOUNT, SWITCHING DIODE
VOLTAGE 75V, CURRENT 0.2A

Description

The GSMBD4148 is designed for high-speed switching application in hybrid thick and thin-film circuits. The devices is manufactured by the silicon epitaxial planar process and packed in plastic surface mount package.

Package Dimensions



Absolute Maximum Ratings at Ta = 25°C

Parameter	Symbol	Ratings	Unit
Junction Temperature	T _j	+150	°C
Storage Temperature	T _{stg}	-65 ~ +150	°C
Maximum Peak Reverse Voltage	V _{RM}	100	V
Maximum Reverse Voltage	V _R	75	V
Average Forward Current	I _O	200	mA
Surge Current(1us)	I _{FSM}	2	A
Typical Junction Capacitance between Terminal (Note 1)	C _J	4.0	pF
Maximum Reverse Recovery Time (Note2)	T _{RR}	4.0	nSec
Total Power Dissipation	P _D	225	mW

Electrical Characteristics at Ta = 25°C

Characteristic	Symbol	Min.	Max.	Unit	Test Conditions
Forward Voltage	V _F	-	1	V	I _F =10mA
Reverse Breakdown	V _R	100	-	V	I _R =100uA
Reverse Current	I _R	-	5	uA	V _R =75V

Notes: 1. Measured at 1.0 MHz and applied reverse voltage of 0 volt.

2. Measured at applied forward current of 10mA, reverse current of 1.0mA, Reverse voltage of 6.0volt and R_L=100 ohms.

3. ESD sensitive product handling required.

Characteristics Curve

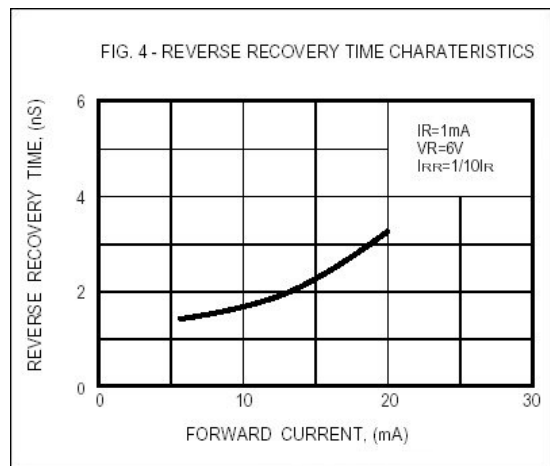
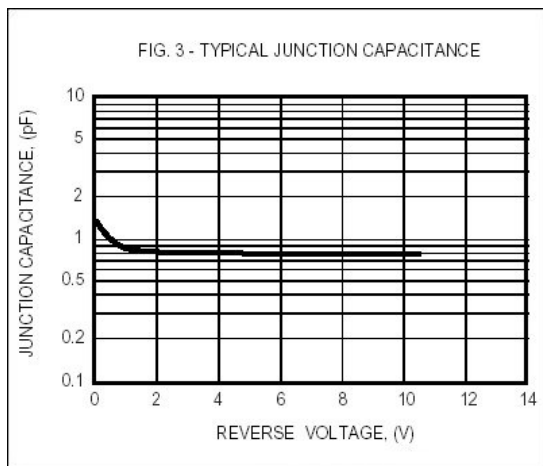
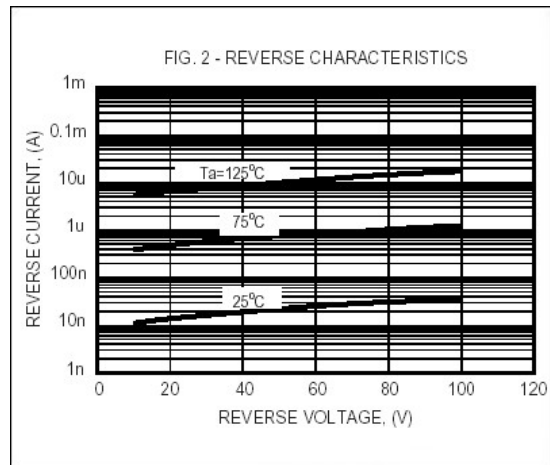
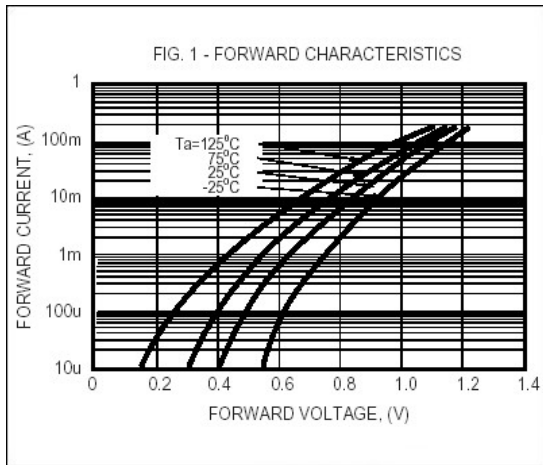
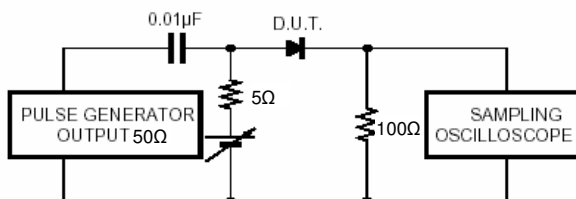


FIG. 5 - REVERSE RECOVERY TIME MEASUREMENT CIRCUIT



Important Notice:

- All rights are reserved. Reproduction in whole or in part is prohibited without the prior written approval of GTM.
- GTM reserves the right to make changes to its products without notice.
- GTM semiconductor products are not warranted to be suitable for use in life-support Applications, or systems.
- GTM assumes no liability for any consequence of customer product design, infringement of patents, or application assistance.

Head Office And Factory:

- Taiwan:** No. 17-1 Tatung Rd. Fu Kou Hsin-Chu Industrial Park, Hsin-Chu, Taiwan, R. O. C.
- TEL : 886-3-597-7061 FAX : 886-3-597-9220, 597-0785
- China:** (201203) No.255, Jang-Jiang Tsai-Lueng RD. , Pu-Dung-Hsin District, Shang-Hai City, China
- TEL : 86-21-5895-7671 ~ 4 FAX : 86-21-38950165