

PLEASE CHECK WWW.MOLEX.COM FOR LATEST PART INFORMATION

Part Number: [0878344093](#)
Status: **Active**
Overview: [cgrid_sl_products](#)
Description: 2.54mm (.100") Pitch C-Grid® Header, Dual Row, Low Profile, Vertical, Shrouded, Lead-free, 40 Circuits, 0.76µm (30µ") Gold (Au) Plating, End Windows, with Pin 20 Voided

Documents:

[3D Model](#) [Product Specification PS-70246-100 \(PDF\)](#)
[Drawing \(PDF\)](#) [RoHS Certificate of Compliance \(PDF\)](#)

Agency Certification

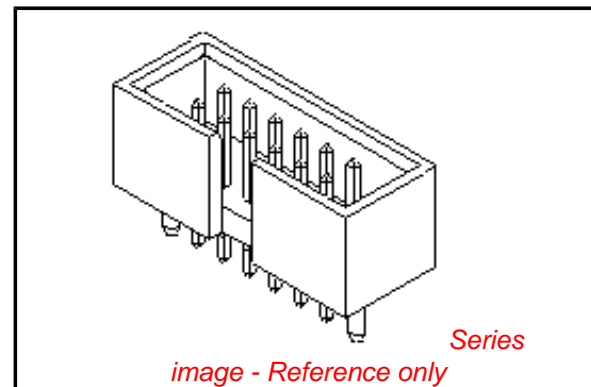
UL E29179

General

Product Family PCB Headers
 Series [87834](#)
 Application Wire-to-Board
 Comments Void Pin Location: 20|Contact Molex for application in automotive industry
 Overview [cgrid_sl_products](#)
 Product Name C-Grid®

Physical

Breakaway No
 Circuits (Loaded) 39
 Circuits (maximum) 40
 Color - Resin Black
 First Mate / Last Break No
 Flammability 94V-0
 Glow-Wire Compliant No
 Guide to Mating Part No
 Keying to Mating Part None
 Lock to Mating Part None
 Material - Plating Mating Gold
 Material - Plating Termination Tin
 Material - Resin Polyester
 Number of Rows 2
 Orientation Vertical
 PC Tail Length (in) 0.135 In
 PC Tail Length (mm) 3.43 mm
 PCB Locator Yes
 PCB Retention Yes
 Packaging Type Tray
 Pitch - Mating Interface (in) 0.100 In
 Pitch - Mating Interface (mm) 2.54 mm
 Pitch - Term. Interface (in) 0.100 In
 Pitch - Term. Interface (mm) 2.54 mm
 Plating min: Mating (µin) 30
 Plating min: Mating (µm) 0.75
 Plating min: Termination (µin) 75.2
 Plating min: Termination (µm) 1.88
 Polarized to Mating Part Center Slot
 Polarized to PCB Yes
 Shrouded Fully
 Stackable No



EU RoHS

ELV and RoHS Compliant
REACH SVHC Contains SVHC: No
Halogen-Free Status
Not Reviewed

China RoHS



Need more information on product environmental compliance?

Email productcompliance@molex.com
 For a multiple part number RoHS Certificate of Compliance, [click here](#)

Please visit the [Contact Us](#) section for any non-product compliance questions.

Search Parts in this Series

[87834Series](#)

Mates With

.050" pitch ribbon cable connectors

Temperature Range - Operating	-55°C to +120°C
Termination Interface: Style	Through Hole

Electrical

Current - Maximum per Contact	2.5A
Voltage - Maximum	250V DC

Solder Process Data

Duration at Max. Process Temperature (seconds)	3
Lead-free Process Capability	Wave Capable (TH only)
Max. Cycles at Max. Process Temperature	1
Process Temperature max. C	235

Material Info

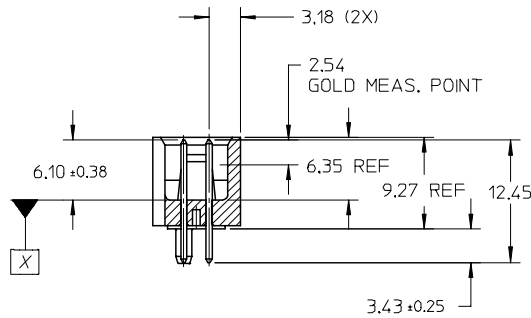
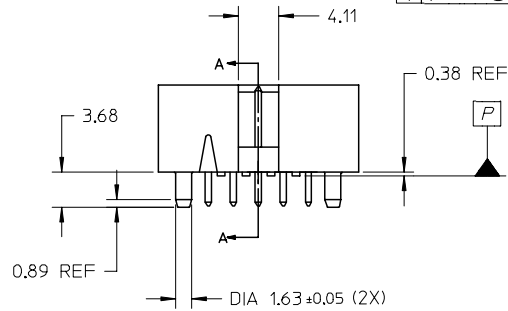
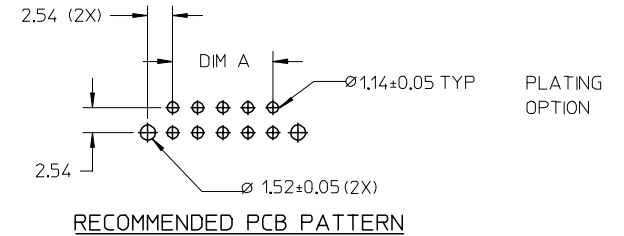
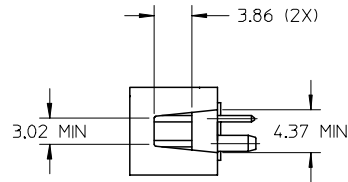
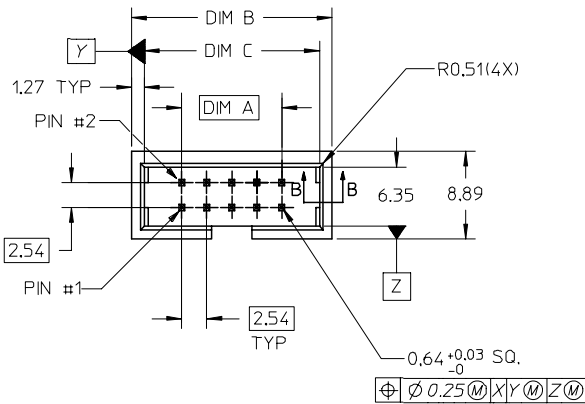
Reference - Drawing Numbers

Packaging Specification	PK-87835-001
Product Specification	PS-70246-100
Sales Drawing	SD-87834-016

This document was generated on 05/25/2010

PLEASE CHECK WWW.MOLEX.COM FOR LATEST PART INFORMATION

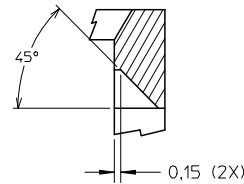
PART NUMBERS	CKT SIZE	VOID PIN LOCATIONS	PLATING OPTION	DIM A	DIM B	DIM C	DIM D
87834-3492	34	5	1	40.64	50.80	48.26	45.72
87834-4092	40	20	1	48.26	58.42	55.88	53.34
87834-4093	40	20	2	48.26	58.42	55.88	53.34



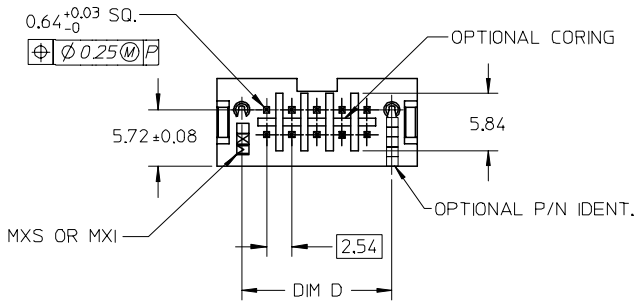
NOTES :

- MATERIAL :
HOUSING : POLYESTER (PBT), UL94V-0, COLOR: BLACK.
PIN : COPPER ALLOY.
- FOR ILLUSTRATION PURPOSE 10 CKT IS SHOWN.
- PIN PUSHOUT FORCE 0.91 KG MIN.
- PRODUCT SPECIFICATION PS-70246-100 APPLIES.
- WAFER TO BE FLAT WITHIN 0.03MM/CM
- PLATING OPTION:
 - 0.13µm MIN. GOLD IN SELECTED AREA, AND 1.9µm MIN. TIN IN SELECTED AREA, BOTH OVER 1.27µm MIN. NICKEL OVERALL.
 - 0.76µm MIN. GOLD IN SELECTED AREA, AND 1.9µm MIN. TIN IN SELECTED AREA, BOTH OVER 1.27µm MIN. NICKEL OVERALL.
- WEEK/YEAR STAMP NOT REQUIRED BY CUSTOMER.

SECTION A-A



SECTION B-B



ADD PLATING OPTION EC NO: S2005-0609 DRAWN: LQ1A0 CHKD: PTLIM APPR: SLOW	2005/02/03 2005/02/03 2005/02/03	DESCRIPTION QUALITY SYMBOLS ▽=0 ▽=0	GENERAL TOLERANCES (UNLESS SPECIFIED)		DIMENSION STYLE MM ONLY		SCALE NTS	DESIGN UNITS METRIC	THIRD ANGLE PROJECTION			
					DRAWN BY RSHAN		DATE 2003/11/20		TITLE C-GRID, SHROUDED WAFER SLOTTED W/IN-LINE PEG W/END WINDOW, VOID PIN			
					CHECKED BY KCL ING		DATE 2003/12/05		MOLEX INCORPORATED			
					APPROVED BY SKTOH		DATE 2003/12/06		DOCUMENT NO. SD-87834-016		SHEET NO. 1 OF 1	
DRAFT WHERE APPLICABLE MUST REMAIN WITHIN DIMENSIONS		SIZE A3		THIS DRAWING CONTAINS INFORMATION THAT IS PROPRIETARY TO MOLEX INCORPORATED AND SHOULD NOT BE USED WITHOUT WRITTEN PERMISSION								