



Air Cylinder Accessory

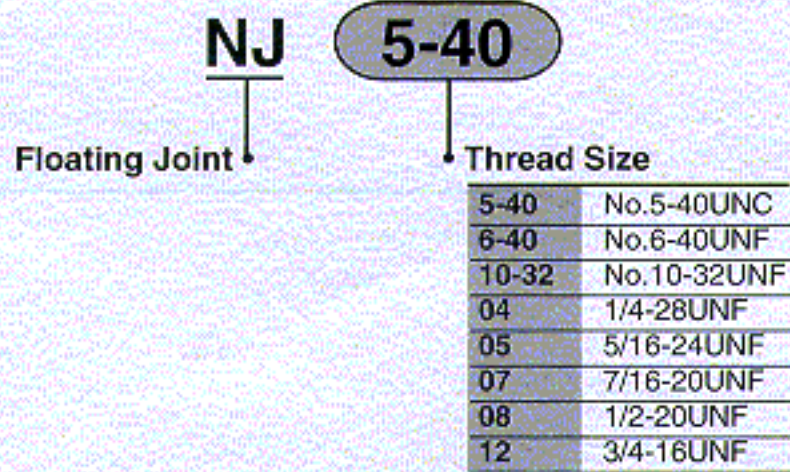
# NJ Series

Alignment Coupler



- Protects Against Cylinder Misalignment
- Aligns Deflected Loads
- Compact Design Allows High Loading
- Reduces Installation Time

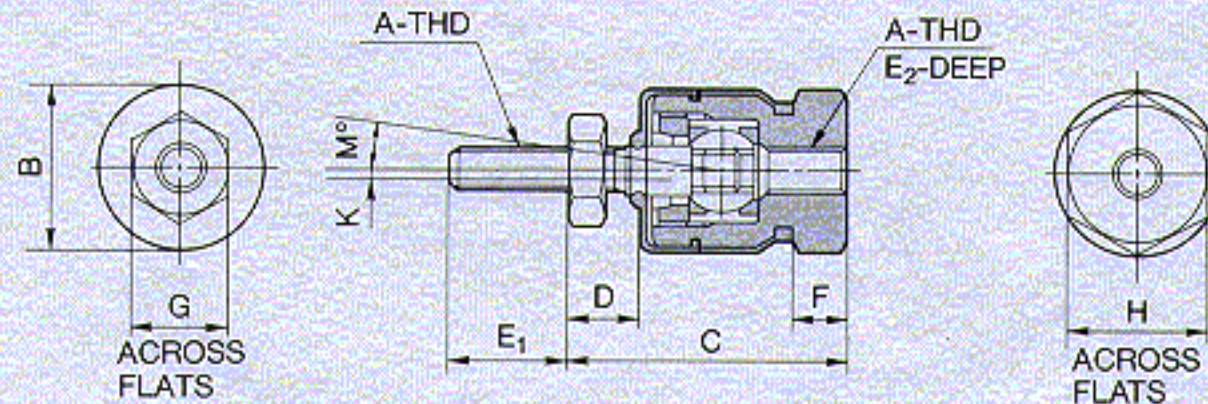
## How To Order



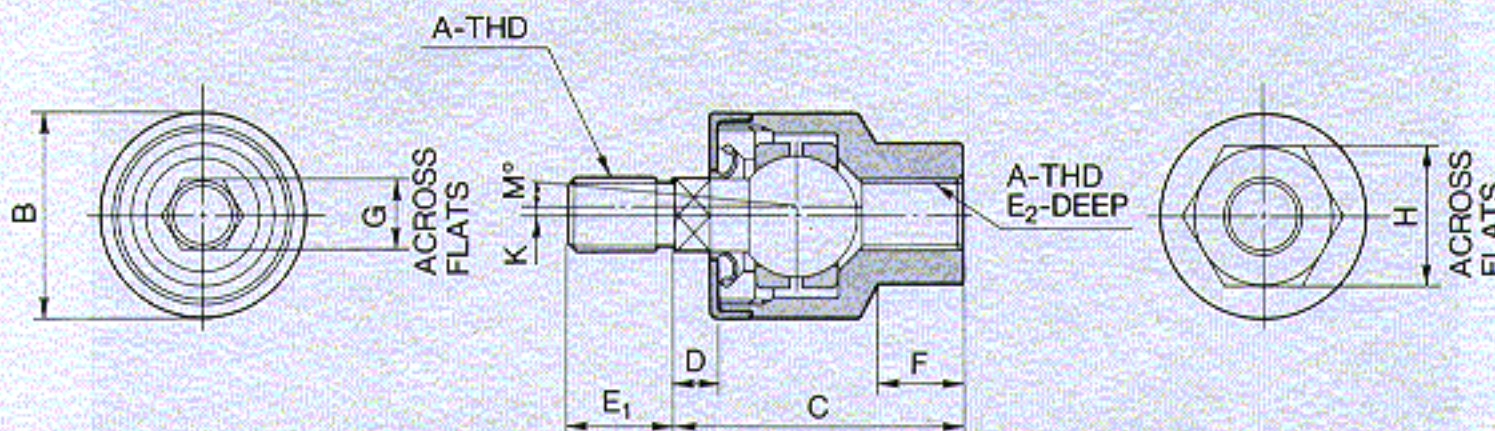
Model	Thread Size	Cylinder Max. Press.	Working Thrust (lbs)	Allowable eccentricity (inch)	Applicable SMC Cylinder(s)
NF5-40	No. 5-40UNC	100PSI (7kgf/cm <sup>2</sup> )	110	0.02	NCJ1 6
NF6-40	No. 6-40UNF		140		NCJ1 10
NJ10-32	No. 10-32UNF		250		NCJ1 15
NJ04	1/4-28UNF	150PSI (9.9kgf/cm <sup>2</sup> )	760	0.03	NCM075,088, NCG20
NJ05	5/16-24UNF		1200		NCM106 NCG 25
NJ07	7/16-20UNF		2600		NCM125/150 NCA1 150/200/250 NCG32/40
NJ08	1/2-20UNF	0.06	3500	0.06	NCG50 NCG63
NJ12	3/4-16UNF		8500		NCA1 325/400

## Dimensions

NJ5-40  
NJ6-40  
NJ10-32



NJ04-NJ12



MODEL	A	B	C	D	E1	E2	F	G	H	K	M
NJ5-40	No.5-40UNC	0.47	0.82	0.22	0.38	0.27	0.21	0.31	0.31	0.02	5°
NJ6-40	No.6-40UNF										
NJ10-32	No.10-32UNF	0.63	1.16	0.23	0.63	0.5	0.22	0.38	0.38	0.02	
NJ04	1/4-28UNF	0.94	1.38	0.25	0.5	0.41	0.31	0.56	0.03		
NJ05	5/16-24UNF										
NJ07	7/16-20UNF	1.22	1.83	0.31	0.75	0.63	0.44	0.75	0.03		
NJ08	1/2-20UNF	1.61	2.11	0.31	0.75	0.63	0.5	1	0.06		
NJ12	3/4-16UNF	1.97	2.91	0.5	1.13	0.94	0.81	1.13	0.06		

## Care and Maintenance

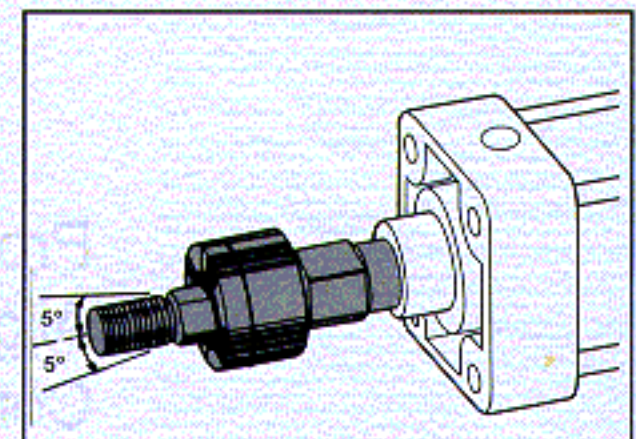
- For applications other than air cylinder consult factory.
- Joint is not suitable for rotation applications.
- Cannot be reused after dismantling.
- NJ floating joints are sealed and pre-lubricated.
- Ambient temperature range 40° to 140°F (5° to 60°C).
- Unscrew joint 1 or 2 turns from the end of the rod thread.
- Do not exceed an axial misalignment of 5°.
- Do not exceed an allowable eccentricity or the life of the joint could be shortened.



SMC Pneumatics, Inc.

3011 N. Franklin Road Indianapolis, IN 46226 Phone: 317-899-4440 Fax: 317-899-3102

For a branch office near you call: 1800-SMC-SMC1 (762-7621)



Specifications Subject To Change Without Notice