

## Product Specifications

### 20.1" VGA Color TFT-LCD Module Model Name: T201VN01 V1

**(\*) Preliminary Specifications**  
**( ) Final Specifications**

Note: This Specification is subject to change without notice.

## Contents

No	ITEM
	COVER
	CONTENTS
	RECORD OF REVISIONS
1	GENERAL DESCRIPTION
2	ABSOLUTE MAXIMUM RATINGS
3	ELECTRICAL SPECIFICATIONS
3-1	ELECTRICAL CHARACTERISTICS
3-2	INTERFACE CONNECTIONS
3-3	SIGNAL TIMING SPECIFICATIONS
3-4	SIGNAL TIMING WAVEFORMS
3-5	COLOR INPUT DATA REFERENCE
3-6	POWER SEQUENCE
4	OPTICAL SPECIFICATIONS
5	MECHANICAL CHARACTERISTICS
6	RELIABILITY
7	INTERNATIONAL STANDARDS
7-1	SAFETY
7-2	EMC
8	Packing
9	PRECAUTIONS



## 1. General Description

This specification applies to the 20.1 inch Color TFT-LCD Module T201VN01. This LCD module has a TFT active matrix type liquid crystal panel 640x480 pixels, and diagonal size of 20.1 inch. This module supports 640x480 VGA mode (Non-interlace). This module is without inverter.

Each pixel is divided into Red, Green and Blue sub-pixels or dots which are arranged in vertical stripes. Gray scale or the brightness of the sub-pixel color is determined with a 8-bit gray scale signal for each dot.

The T201VN01 has been designed to apply the 8-bit 1 channel LVDS interface method. It is intended to support displays where high brightness, wide viewing angle, high color saturation, and high color depth are very important.

### \* General Information

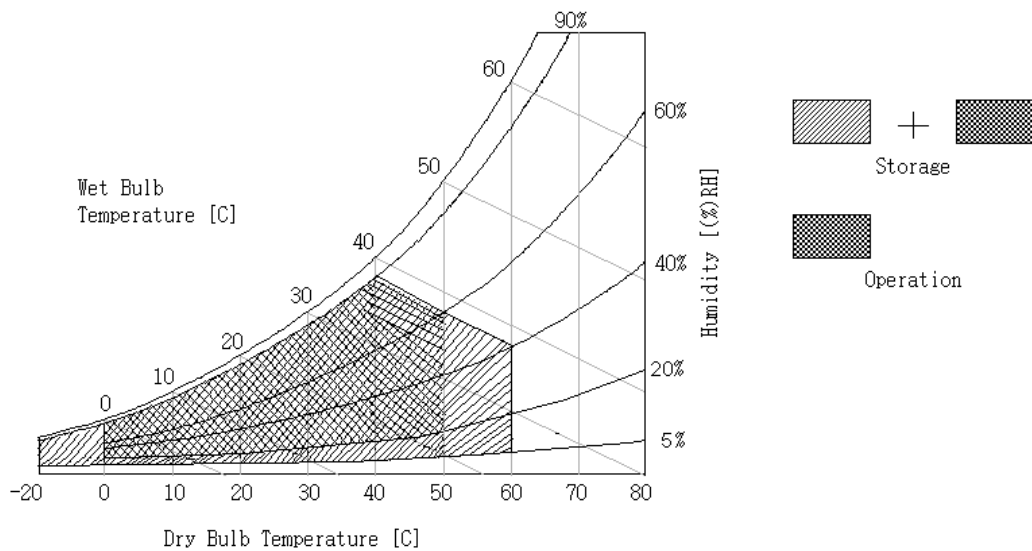
Items	Specification	Unit	Note
Active Screen Size	20.1 inches		
Display Area	408 (H) x 306(V)	mm	
Outline Dimension	434.0(H) x 331.2(V) x 30.6max (D)	mm	Without inverter
Driver Element	a-Si TFT active matrix		
Display Colors	16.7M	Colors	
Number of Pixels	640 x 480	Pixel	
Pixel Arrangement	RGB vertical stripe		
Display Mode	0.6375(H) x 0.6375(W)		
Surface Treatment	Hard-Coating 3H, AG		

## 2. Absolute Maximum Ratings

The following are maximum values which, if exceeded, may cause faulty operation or damage to the unit.

Parameter	Symbol	Min.	Max.	Unit	Note
Power Input Voltage	V <sub>cc</sub>	-0.3	5.5	V <sub>dc</sub>	At 25 ±5
Operating Temperature	T <sub>OP</sub>	00	50		1
Storage Temperature	H <sub>ST</sub>	-20	60		1
Operating Ambient Humidity	H <sub>OP</sub>	10	90	%RH	1
Storage Humidity	H <sub>ST</sub>	10	90	%RH	1

Note: 1. Temperature and relative humidity range are shown in the figure below. Wet bulb temperature should be 39



### 3. Electrical Specification

#### 3-1 Electrical Characteristics

The T201VN01 requires two power inputs. One is employed to power the LCD electronics and to drive the TFT array and liquid crystal. The second input which powers the CCFL, is typically generated by an inverter.

Parameter	Symbol	Values			Unit	Notes
		Min	Typ	Max		
LCD:						
Power Supply Input Voltage	V <sub>cc</sub>	4.5	5.0	5.5	V <sub>dc</sub>	
Power Supply Input Current	I <sub>cc</sub>	-	600	-	mA	1
Power Consumption	P <sub>c</sub>	-	3.0.	-	Watt	1
Inrush Current	I <sub>RUSH</sub>	-	-	4.7	A <sub>peak</sub>	0.2ms
Lamp Power Consumption			41.04		W	2
Life Time			50,000			3

**Note:** The design of the inverter must have specifications for the lamp in LCD Assembly.

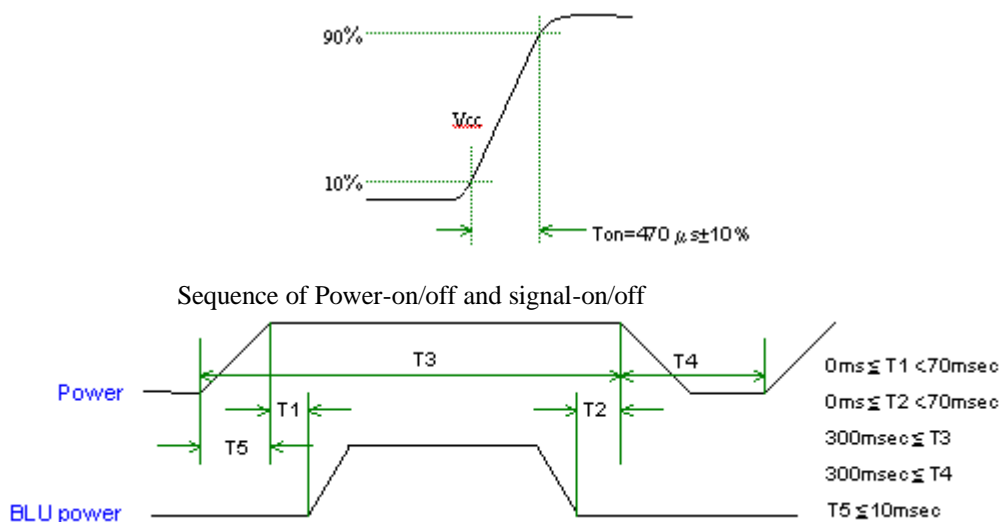
The performance of the Lamp in LCM, for example life time or brightness, is extremely influenced by the characteristics of the DC-AC Inverter. So all the parameters of an inverter should be carefully designed so as not to produce too much leakage current from high-voltage output of the inverter. When you design or order the inverter, please make sure unwanted lighting caused by the mismatch of the lamp and the inverter (no lighting, flicker, etc) never occurs. When you confirm it, the LCD Assembly should be operated in the same condition as installed in your instrument.

**Note:** Do not attach a conducting tape to lamp connecting wire. If the lamp wire attach to conducting tape, TFT-LCD Module have a low luminance and the inverter has abnormal action because leakage current occurs between lamp wire and conducting tape.

**Note:** The relative humidity must not exceed 80% non-condensing at temperatures of 40 °C or less. At temperatures greater than 40 °C, the wet bulb temperature must not exceed 39 °C. When operate at low temperatures, the brightness of CCFL will drop and the life time of CCFL will be reduced.

Note:

1. The specified current and power consumption are under the  $V_{cc}=5.0V$ ,  $25^\circ C$ ,  $f_v = 60Hz$ ,  $f_{CLK}=25.2Mhz$  condition whereas mosaic pattern (8x6) is displayed and  $f_v$  is the frame frequency.



Apply the lamp voltage within the LCD operating range. When the backlight turns on before the LCD operation or the LCD turns off before the backlight turns off, the display may momentarily become abnormal.

**Caution:** The above on/off sequence should be applied to avoid abnormal function in the display. In case of handling, make sure to turn off the power when you plug the cable into the input connector or pull the cable out of the connector.

2. The lamp power consumption shown above does include loss of external inverter at  $25^\circ C$ .  
The used lamp current is the lamp typical current
3. The life is determined as the time at which luminance of the lamp is 50% compared to that of initial value at the typical lamp current on condition of continuous operating at  $25^\circ C$

Note: The output of the inverter must have symmetrical (negative and positive) voltage waveform and symmetrical current waveform (Asymmetry ratio is less than 10%). Please do not use the inverter which has asymmetrical voltage and asymmetrical current and spike wave.

Requirements for a system inverter design which is intended to have a better display performance, a better power efficiency and a more reliable lamp.

It shall help increase the lamp lifetime and reduce its leakage current.

- a. The asymmetry rate of the inverter current and voltage waveform should be 10% below;
- b. The distortion rate of the current and voltage waveform should be within  $\pm 10\%$ ;
- c. The ideal sine current and voltage waveform shall be symmetric in positive and negative polarities.

### 3-2 Interface Connections

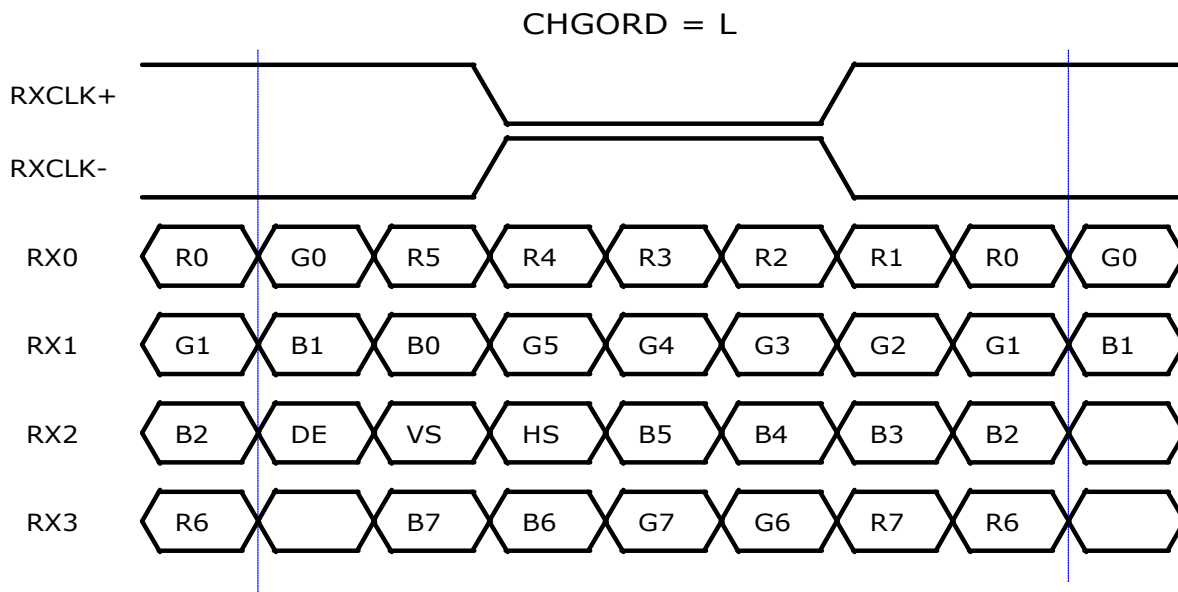
- LCD connector (CN1): DF14-20P-1.25H (Hirose) or equivalent
- Mating Connector : DF14-20C-1.25S (Hirose) or equivalent
- LVDS Transmitter: SN75LVDS83(Texas Instruments) or equivalent

Pin No.	Symbol	Function	Polarity	Note
1	VDD	Power Supply +5.0V		
2	VDD	Power Supply +5.0V		
3	GND	Power Ground		
4	GND	Power Ground		
5	Rx0-	LVDS Receiver Signal ( - )		
6	Rx0+	LVDS Receiver Signal ( + )		
7	GND	Ground		
8	Rx1-	LVDS Receiver Signal ( - )		
9	Rx1+	LVDS Receiver Signal ( + )		
10	GND	Ground		
11	Rx2-	LVDS Receiver Signal ( - )		
12	Rx2+	LVDS Receiver Signal ( + )		
13	GND	Ground		
14	RxCLK2-	LVDS Receiver Clock Signal ( - )		
15	RxCLK2+	LVDS Receiver Clock Signal ( + )		
16	GND	Ground		
17	Rx3-	LVDS Receiver Signal ( - )		
18	Rx3+	LVDS Receiver Signal ( + )		
19	GND	Ground		
20	NC	Reserved		

Note: 1. All GND (ground) pins should be connected together and to Vss which should also be connected to the LCD's metal frame.  
 All Vcc (power input) pins should be connected together.



**LVDS Order Selection**



**BACKLIGHT CONNECTOR PIN CONFIGURATION -**

**1 . Electrical specification**

( Ta=25 ±5 )

Parameter	Min	Typ	Max	Units	Condition
White Luminance 5 points average		500	-	[cd/m <sup>2</sup> ]	(Ta=25 )
CCFL current(ICFL)	4.0	4.5	7.0	[mA] rms	(Ta=25 ) Note 2
CCFL Frequency(FCFL)	52	55	58	[KHz]	(Ta=25 ) Note 3
CCFL Ignition Voltage(Vs)	1,700	-	-	[Volt] rms	(Ta= 0 ) Note 4
CCFL Voltage (Reference) (VCFL)	-	760	-	[Volt] rms	(Ta=25 ) Note 5
CCFL Power consumption (PCFL)	-	41.04	-	[Watt]	(Ta=25 ) Note 5

### 3-3 Signal Timing Specifications

This is the signal timing required at the input of the User connector. All of the interface signal timing should be satisfied with the following specifications for it's proper operation.

\* Timing Table

Signal	Item	Symbol	Min	Typ	Max	Unit
Clock frequency	1/Tclk	1/Tclk	-	25.2	-	Mhz
	Vertical Section	Period	Tv	484	525	1024
	Active	Tdisp(v)	480	480	480	Th
Horizontal Section	Period	Th	680	800	2048	Tclk
	Active	Tdisp(h)	640	640	640	Tclk

\*1) DCLK signal input must be valid while power supply is applied.

\*2) Display position is specific by the rise of ENAB signal only.

Horizontal display position is specified by the falling edge of 1<sup>st</sup> DCLK right after the rise of ENAB, is displayed on the left edge of the screen.

Vertical display position is specified by the rise of ENAB after a "Low" level period equivalent to eight times of horizontal period. The 1<sup>st</sup> data corresponding to one horizontal line after the rise the of ENAB is displayed at the top line of screen.

3.) If a period of ENAB "High" is less than 640 DCLK or less than 480 lines, the rest of the screen displays black.

4.) The display position does not fit to the screen if a period of ENAB "High" and the effective data period do not synchronize with each other.

### 3-4 Signal Timing Waveforms

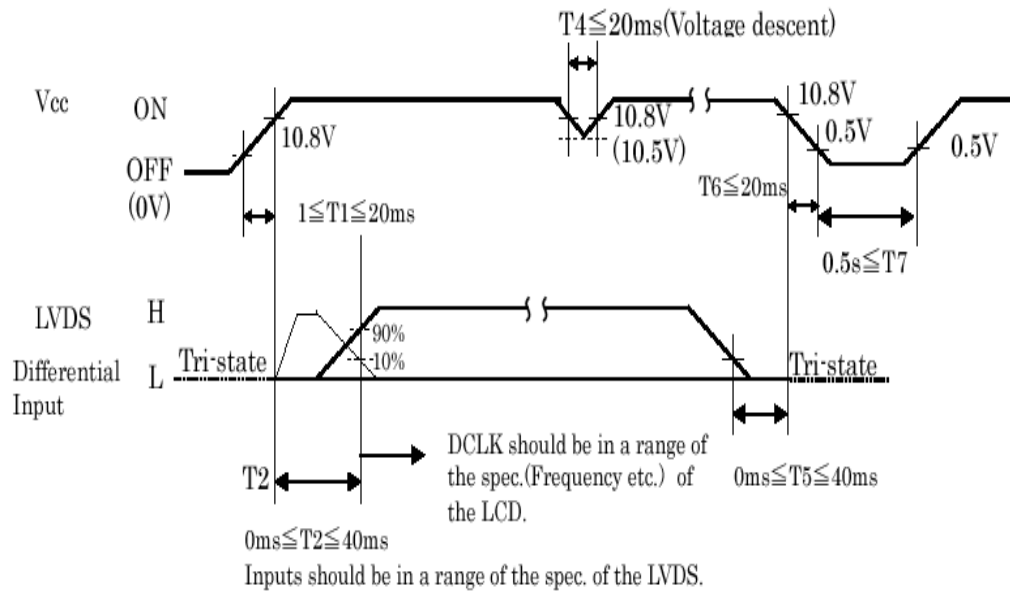
N.A

### 3-5 Color Input Data Reference

The brightness of each primary color (red, green and blue) is based on the 8 bit gray scale data input for the color; the higher the binary input, the brighter the color. The table below provides a reference for color versus data input.

#### COLOR DATA REFERENCE

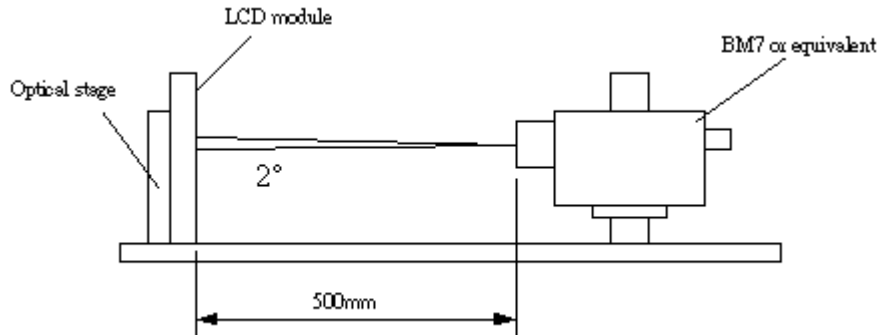
### 3-6 Power Sequence



## 4. Optical Specification

Optical characteristics are determined after the unit has been 'ON' and stable for approximately 30 minutes in a dark environment at 25°. The values specified are at an approximate distance 50cm from the LCD surface at a viewing angle of 2° and equal to 0°.

**Fig.1 1 presents additional information concerning the measurement equipment and method.**



Parameter	Symbol	Values			Units	Notes
		Min.	Typ.	Max.		
Contrast Ratio	CR		800			1
Surface Luminance, white	LWH	TBD	500		cd/m <sup>2</sup>	2
Luminance Variation	WHITE   5 p			TBD		3
Response Time	T		16		ms	4 (Gray to Gray)
	Rise Time	Tr				
	Decay Time	Tf				
Color Coordinates						
	RED	R <sub>X</sub>		TBD		
		R <sub>Y</sub>		TBD		
	GREEN	G <sub>X</sub>		TBD		
		G <sub>Y</sub>		TBD		
	BLUE	B <sub>X</sub>		TBD		
		B <sub>Y</sub>		TBD		
	WHITE	W <sub>X</sub>	0.250	0.280	0.310	
		W <sub>Y</sub>	0.260	0.290	0.320	
Viewing Angle						
	x axis, right( =0°)	r		85	Degree	5
	x axis, left( =180°)	l		85		
	y axis, up( =90°)	u		85		
	y axis, down ( =0°)	d		85		
Gray Scale						6

Note: 1. Contrast Ratio (CR) is defined mathematically as:

$$\text{Contrast Ratio} = \frac{\text{Surface Luminance with all white pixels}}{\text{Surface Luminance with all black pixels}}$$

1. Surface luminance is luminance value at point 1 across the LCD surface 50cm from the surface with all pixels displaying white. From more information see FIG 2. When  $I_{BL} = 5.0\text{mA}$ ,  $L_{WH} = 500\text{cd/m}^2(\text{typ.})$

$$L_{WH} = L_{on1}$$

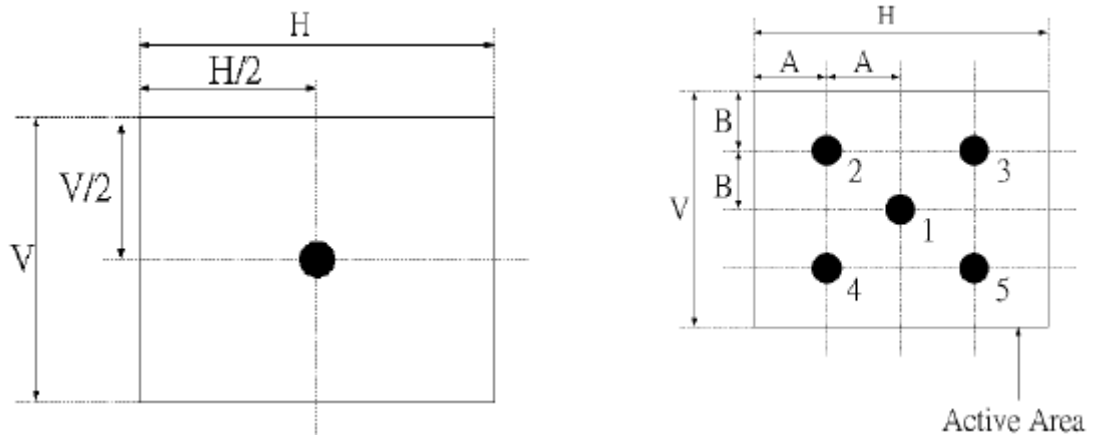
Where  $L_{on1}$  is the luminance with all pixels displaying white at center 1 location.

2. The variation in surface luminance, WHITE is defined (center of Screen) as:

$$WHITE_{(5P)} = \text{Maximum}(L_{on1}, L_{on2}, \dots, L_{on5}) / \text{Minimum}(L_{on1}, L_{on2}, \dots, L_{on5})$$

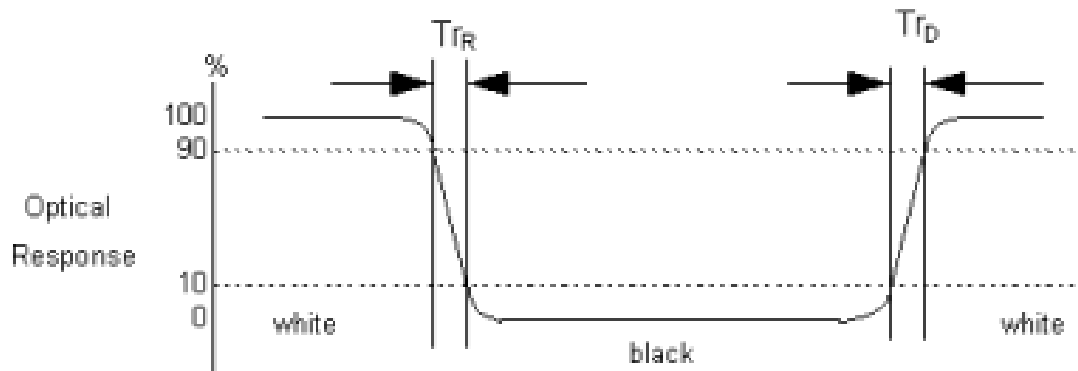
3. Response time is the time required for the display to transition from to black (Rise Time,  $Tr_R$ ) and from black to white (Decay Time,  $Tr_D$ ). For additional information see FIG3.
4. Viewing angle is the angle at which the contrast ratio is greater than 5. The angles are determined for the horizontal or x axis and the vertical or y axis with respect to the z axis which is normal to the LCD surface. For more information see FIG4.

**FIG. 2 Luminance**

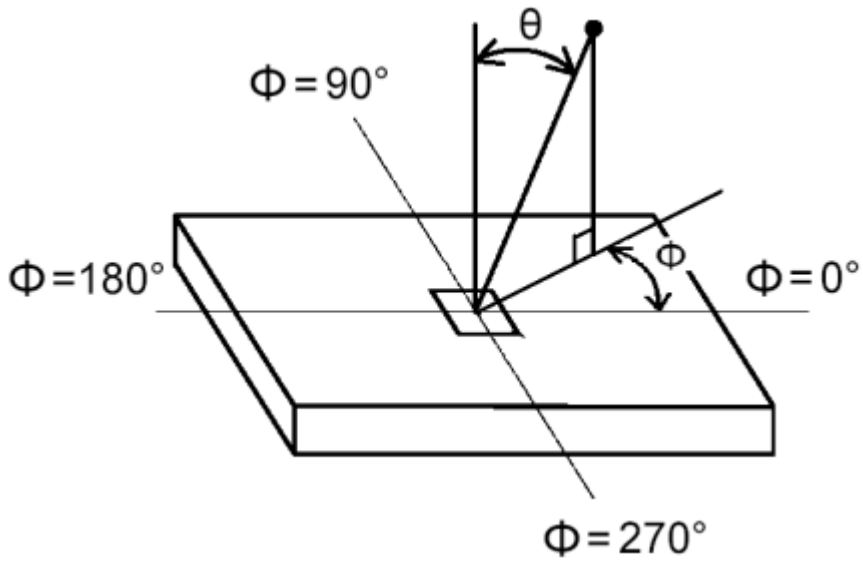


**FIG.3 Response Time**

The response time is defined as the following figure and shall be measured by switching the input signal for "black" and "white".



**FIG.4 Viewing angle**



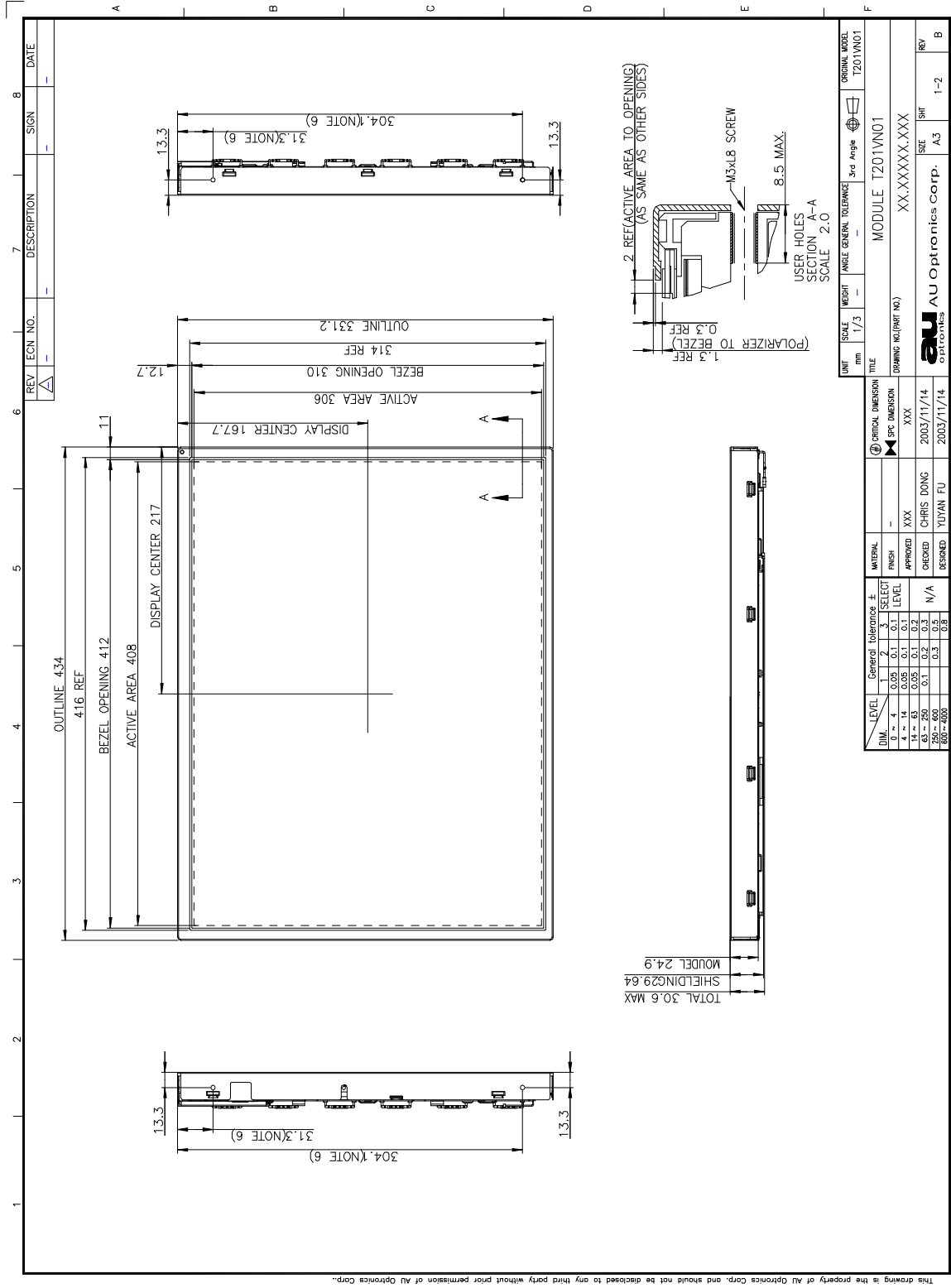
## 5. Mechanical Characteristics

The contents provide general mechanical characteristics for the model T296XW01. In addition the figures in the next page are detailed mechanical drawing of the LCD.

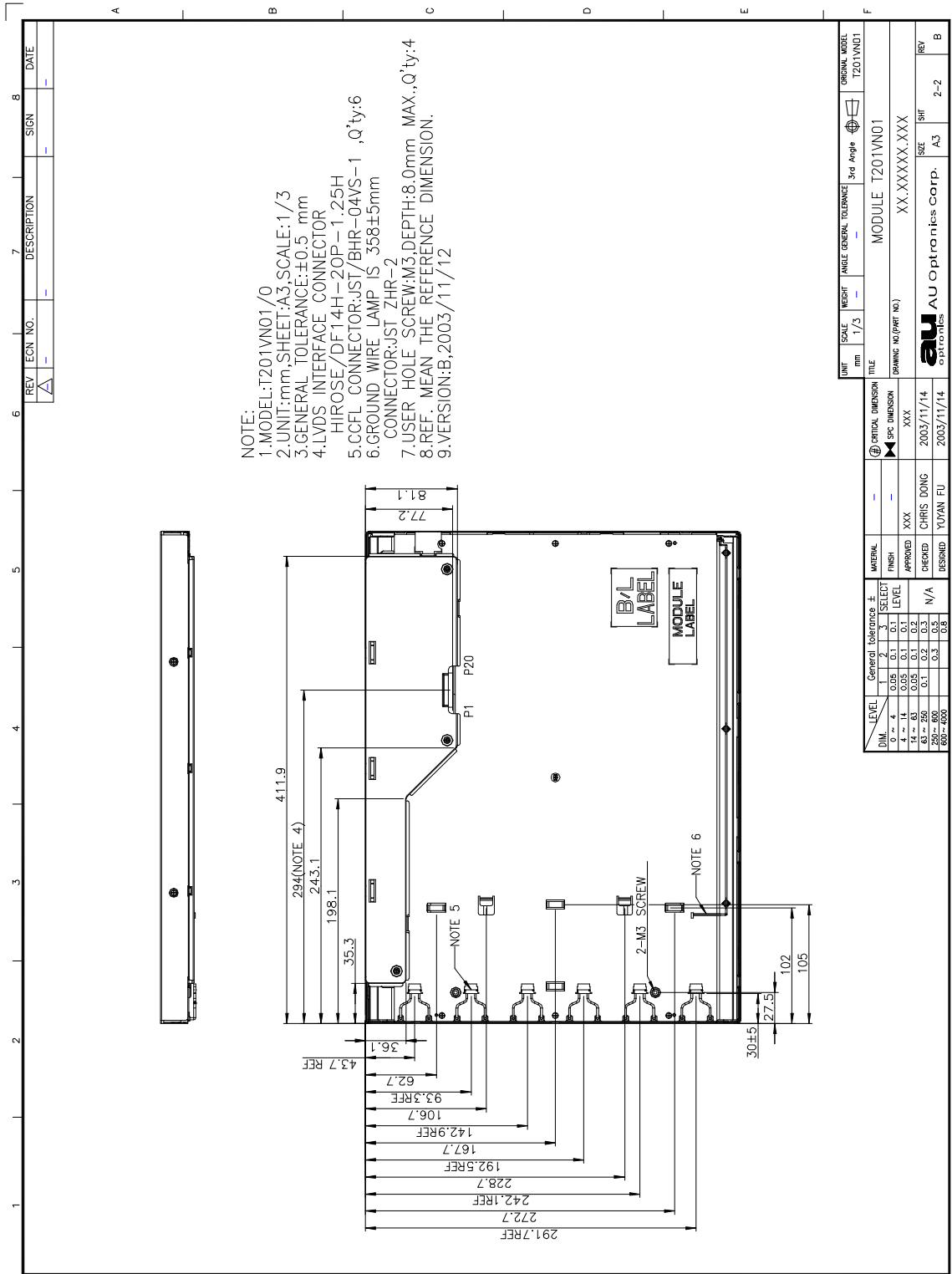
Outline Dimension	Horizontal	434.0mm
	Vertical	331.2mm
	Depth	30.6mm(w/o inverter)
Bezel Area	Horizontal	412.0mm
	Vertical	310.0mm
Active Display Area	Horizontal	408.0mm
	Vertical	306.0mm
Weight	2000g (Typ.)	
Surface Treatment	Hard Coating (3H), AG	



Front View



**Rear View**



This drawing is the property of AU Optronics Corp. and should not be disclosed to any third party without prior permission of AU Optronics Corp.

## 6. Reliability

Environment test condition

No	Test Item	Condition
1	High temperature storage test	Ta=60 240h
2	Low temperature storage test	Ta=-20 240h
3	High temperature operation test	Ta=50 50%RH 240h
4	Low temperature operation test	Ta=0 240h
5	Vibration test (non-operating)	Wave form: random Vibration level : 1.0G RMS Bandwidth : 10-500Hz Duration: X, Y, Z 20min One time each direction
6	Shock test (non-operating)	Shock level: 120G Waveform: half sine wave, 2ms Direction: $\pm X$ , $\pm Y$ , $\pm Z$ One time each direction
7	Vibration test (with carton)	Random Vibration: 10~200Hz, 1.5G, 30minutes in each X, Y, Z direction
8	Drop test (with carton)	Height: 53.3cm 1 corner, 3 edges, 6 surfaces (ASTMD4169-I)
9	Altitude Storage/shipment	0-40,000 feet (12,192m)

{ Result Evaluation Criteria }

There should be no change which might affect the practical display function when the display quality test is conducted under normal operating condition.

## 7. International Standard

### 7-1. Safety

- (1) UL1950 Third Edition, Underwriters Laboratories, Inc. Jan. 28, 1995

Standard for Safety of Information Technology Equipment Including electrical Business Equipment.

- (2) CAN/CSA C22.2 No. 950-95 Third Edition, Canadian Standards Association, Jan. 28, 1995

Standard for Safety of Information Technology Equipment Including Electrical Business Equipment.

- (3) EN60950 : 1992+A2: 1993+A2: 1993+C3: 1995+A4: 1997+A11: 1997

IEC 950: 1991+A1: 1992+A2: 1993+C3: 1995+A4:1996

European Committee for Electrotechnical Standardization (CENELEC)

EUROPEAN STANDARD for Safety of Information Technology Equipment Including Electrical Business Equipment.

### 7-2. EMC

- a) ANSI C63.4 “Methods of Measurement of Radio-Noise Emissions from Low-Voltage Electrical and Electrical Equipment in the Range of 9kHz to 40GHz. “American National standards Institute(ANSI), 1992
- b) C.I.S.P.R “Limits and Methods of Measurement of Radio Interface Characteristics of Information Technology Equipment.” International Special committee on Radio Interference.
- c) EN 55022 “Limits and Methods of Measurement of Radio Interface Characteristics of Information Technology Equipment.” European Committee for Electrotechnical Standardization. (CENELEC), 1998

## 8. Packing

1. Package quantity in one box: TBD
2. Box size: TBD

## 9. PRECAUTIONS

Please pay attention to the followings when you use this TFT LCD module.

### 9-1 MOUNTING PRECAUTIONS

- (1) You must mount a module using holes arranged in four corners or four sides.
- (2) You should consider the mounting structure so that uneven force (ex. Twisted stress) is not applied to module. And the case on which a module is mounted should have sufficient strength so that external force is not transmitted directly to the module.
- (3) Please attach the surface transparent protective plate to the surface in order to protect the polarizer. Transparent protective plate should have sufficient strength in order to resist external force.
- (4) You should adopt radiation structure to satisfy the temperature specification.
- (5) Acetic acid type and chlorine type materials for the cover case are not desirable because the former generates corrosive gas of attacking the polarizer at high temperature and the latter causes circuit break by electro-chemical reaction.
- (6) Do not touch, push or rub the exposed polarizers with glass, tweezers or anything harder than HB pencil lead. And please do not rub with dust clothes with chemical treatment. Do not touch the surface of polarizer for bare hand or greasy cloth. (Some cosmetics are detrimental to the polarizer.)
- (7) When the surface becomes dusty, please wipe gently with absorbent cotton or other soft materials like chamois soaks with petroleum benzene. Normal-hexane is recommended for cleaning the adhesives used to attach front/ rear polarizers. Do not use acetone, toluene and alcohol because they cause chemical damage to the polarizer.
- (8) Wipe off saliva or water drops as soon as possible. Their long time contact with polarizer causes deformations and color fading.
- (9) Do not open the case because inside circuits do not have sufficient strength.

### 9-2 OPERATING PRECAUTIONS

- (1) The spike noise causes the mis-operation of circuits. It should be lower than following voltage:  
 $V = \pm 200\text{mV}$  (Over and under shoot voltage)
- (2) Response time depends on the temperature. (In lower temperature, it becomes longer..)
- (3) Brightness depends on the temperature. (In lower temperature, it becomes lower.) And in lower temperature, response time (required time that brightness is stable after turned on) becomes longer.
- (4) Be careful for condensation at sudden temperature change. Condensation makes damage to polarizer or electrical contacted parts. And after fading condensation, smear or spot will occur.
- (5) When fixed patterns are displayed for a long time, remnant image is likely to occur.
- (6) Module has high frequency circuits. Sufficient suppression to the electromagnetic interference shall be done by system manufacturers. Grounding and shielding methods may be important to minimize the interface.

### 9-3 ELECTROSTATIC DISCHARGE CONTROL

Since a module is composed of electronic circuits, it is not strong to electrostatic discharge. Make certain that treatment persons are connected to ground through wrist band etc. And don't touch interface pin directly.

#### **9-4 PRECAUTIONS FOR STRONG LIGHT EXPOSURE**

Strong light exposure causes degradation of polarizer and color filter.

#### **9-5 STORAGE**

When storing modules as spares for a long time, the following precautions are necessary.

- (1) Store them in a dark place. Do not expose the module to sunlight or fluorescent light. Keep the temperature between 5 and 35 at normal humidity.
- (2) The polarizer surface should not come in contact with any other object. It is recommended that they be stored in the container in which they were shipped.

#### **9-6 HANDLING PRECAUTIONS FOR PROTECTION FILM**

- (1) The protection film is attached to the bezel with a small masking tape. When the protection film is peeled off, static electricity is generated between the film and polarizer. This should be peeled off slowly and carefully by people who are electrically grounded and with well ion-blown equipment or in such a condition, etc.
- (2) When the module with protection film attached is stored for a long time, sometimes there remains a very small amount of glue still on the Bezel after the protection film is peeled off.
- (3) You can remove the glue easily. When the glue remains on the Bezel or its vestige is recognized, please wipe them off with absorbent cotton waste or other soft material like chamois soaked with normal-hexane.