




Features

- Completely sealed and weatherproof construction
 - Modular in design, allowing for second pair addition to the ground mounting stud
 - Fail-safe switch grade shorting mechanism
 - Modular design fits most Network Interface Devices
-  Listed per UL 497 (File: E53117)

125-EW/EW-R Series – Sealed Gas Tube Station Protector

Bourns® 125-EW/-EW-R Series type station protectors are designed to provide primary protection on conductors serving subscriber premises. This Series provides protection against lightning surges, power-cross conditions and ground potential rises.

The protector element for each line consists of a heavy-duty-rated, two-element gas tube, an external backup gap assembly and a unique switch grade shorting mechanism. Two gas tubes (tip and ring) are sealed in a fire-resistant plastic body with plated #10 brass studs, washers and hex nuts for connection to one subscriber pair. A plated brass ground connector is slotted to fit the ground connection points of station protector housings and network interface devices.

Characteristics

Test Methods per IEEE C62.31, UL 497, RUS PE-80, Telcordia GR 1361

	Model 125-EW-R*	Model 125-EW*¹
DC Breakdown @100 V/sec	300-500 V	300-500 V
Impulse Breakdown		
100 V/μsec	600 V	600 V
10 kV/μsec	850 V	
100 V/μsec, vented	1200 V	1000 V
Insulation Resistance @ 100 V/leakage current	>10 ¹⁰ Ω	>10 ¹⁰ Ω
Capacitance @1 kHz	<15 pF	<15 pF
DC Extinguishing (Network applied) @52 V, 135 V, 150 V	<150 msec	<150 msec
Impulse Life Characteristics		
.....	>400x500 A 10/1000 μsec	>3000x 10 A 10/1000 μsec
.....		>300x 100 A 10/1000 μsec
.....	>10 kA 8/20 μsec	>100x 300 A 10/1000 μsec
.....		>25x 2 kA 10/250 μsec
AC Life Characteristics		
.....	>65 A, 11 cycles	>20x 10 A, 1 sec
.....		>60x 1 A, 1 sec
.....		>30 sec 0.5 A, continuous
Operating Temperature		-55 to +85 °C

* NOTE: Either protector module will comply with both specifications. The only difference is the voltage rating of the backup gap for the vent safe condition.

¹ Telcordia Evaluated: 125-EW

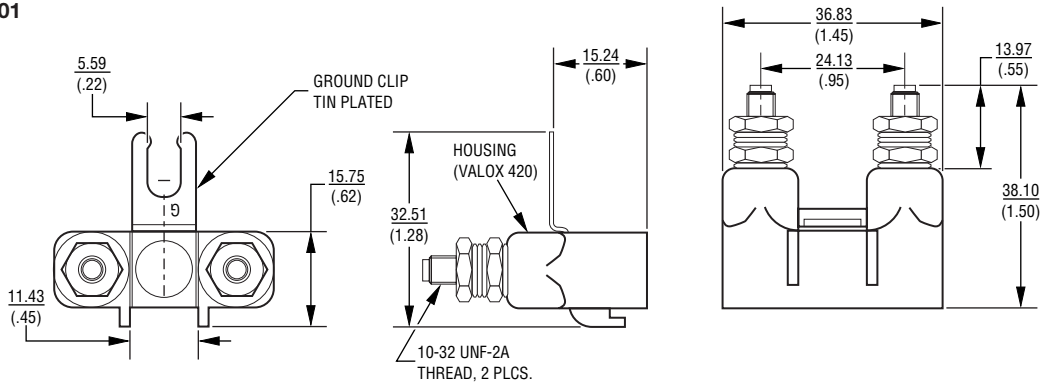
125-EW/EW-R Series – Sealed Gas Tube Station Protector **BOURNS®**

How To Order

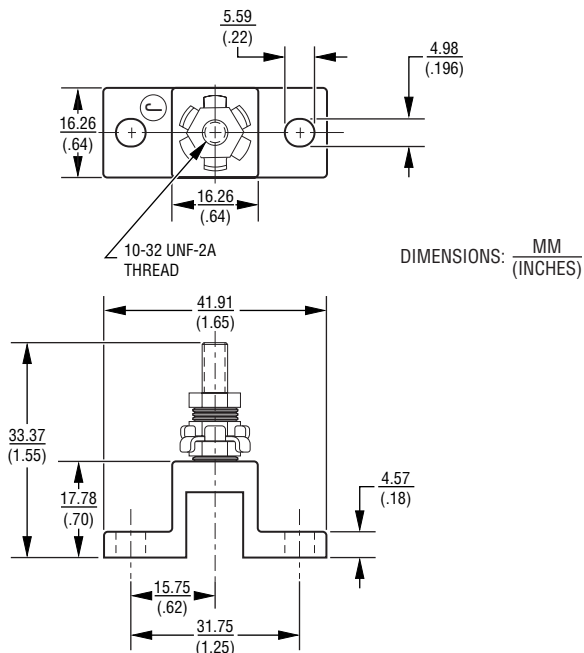
Model	Protector or Mounting Stud Only	1 Protector with Mounting Stud	2 Protectors with Mounting Stud
125-EW	2374-01	2374-01-X1	2374-01-X2
125-EW-R	2375-01	2375-01-X1	2375-01-X2
Mounting Stud	2372-02	-	-

Product Dimensions

2374-01, 2375-01



2372-02 Ground Mounting Stud (order separately)



Reliable Electronic Solutions

Asia-Pacific:
TEL +886- (0)2 25624117
FAX +886- (0)2 25624116

Europe:
TEL +41-41 7685555
FAX +41-41 7685510

North America:
TEL +1-951 781-5500
FAX +1-951 781-5700

www.bourns.com

REV. F 09/04

Specifications are subject to change without notice.
Customers should verify actual device performance in their specific applications.