

MATERIAL:

INSULATOR : PBT+30% GLASS FIBER (UL 94V-0) .

CONTACT MATERIAL : BRASS.

CONTACT FINISH : GOLD FLASH ON MATING END, TIN-LEAD ON TERMINATION END, WITH ENTIRE CONTACT NICKEL UNDERPLATED.

SHELL FINISH : STEEL NICKEL OR TIN PLATED.

SPECIFICATION:

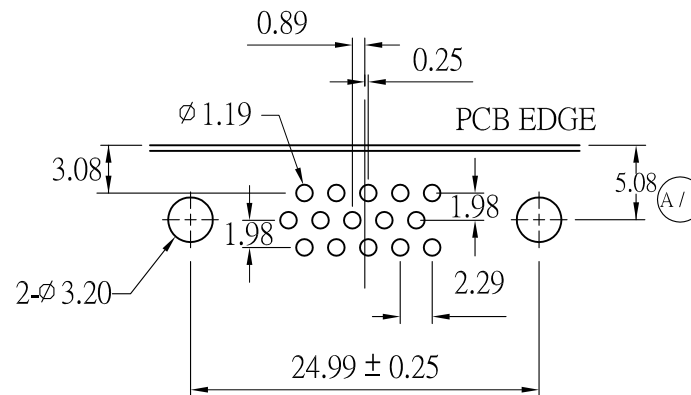
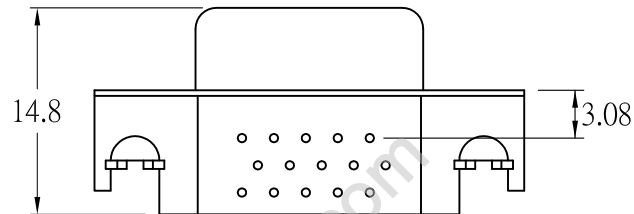
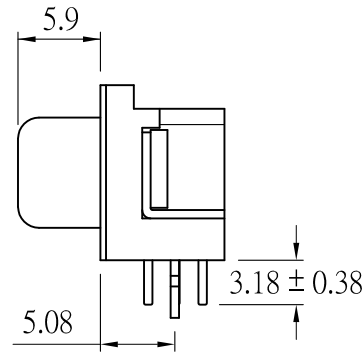
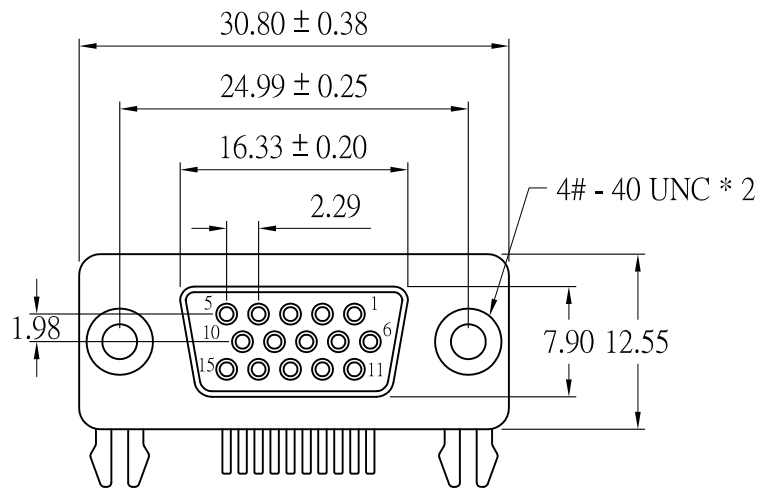
CURRENT RATING : 5AMP

DIELECTRIC WITHSTANDING VOLTAGE : 1000V PER MINUTE.

INSULATION RESISTANCE : 1000MΩ MIN. AT 500V DC.

CONTACT RESISTANCE : 15mΩ MAX. 10 SES.

OPERATING TEMPERATURE : -55°C ~ +105°C.



MORETHANALL
CONNECTORS
ASSEMBLIES

焯倫有限公司

PART NO. HDR30-SN-15

DWG NO. HDR30-SN-15

FILE NO.

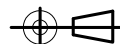
UNIT / mm

SCALE 1:1

APPROVED BY CY

DRAWING BY

PROJECTION



TOLERANCES ARE

X.X ± 0.25
X.XX ± 0.15
X.XXX ± 0.05

DESCRIP TION:

H-D D-SUB CONNECTORS RIGHT ANGLE ,
15 FEMALE FOOTPRINT : 3.08mm

AREA

REVISIONS

HK

DATE