



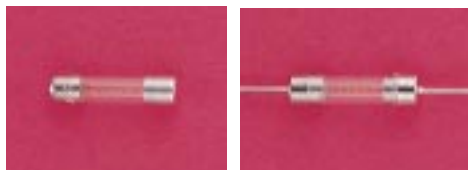
defining a degree of excellence

# Type 5MF / 5MFP

## Fast Blow Fuse Series

5 x 20mm Glass Tube

5MFD0199



### Electrical Characteristics (UL/CSA STD. 248-14)

Testing current	Blow Time	
	Minimum	Maximum
100%	4 Hrs.	N/A
135%	N/A	1 Hr
200%	N/A	5 Sec

### Approvals



Safety Agency Approvals	Type	Amp range / volt @ I.R. ability
Listed File no. E20624 Certified File no. LR39772	5MF / 5MFP	80mA - 3A / 250V AC@ 200A 80mA - 8A / 125V AC@ 10,000A
Approval File no. 32-1764 / no. 32-1766 File no. 32-1765	5MF / 5MFP 5MF	1A - 5A / 125V AC@ 500A >5A - 15A / 125V AC@ 300A

### Operating Temperature

-55°C to +125°C

### Physical Specification

#### Materials

Glass body / Nickel Plated Brass Caps

Lead wire:

Tin-lead plated Copper,

Diameter 0.032", 5A and less

Diameter 0.040", 6A and above

#### Marking

On fuse:

"bel", "5MF", "Current Rating", "Voltage Rating", and "Appropriate Safety Logos"

On label:

Above info plus "CE" and interrupting rating

Voltage on fuse:

250V for 80mA to 3A; 125V for rating above 3A

#### Packaging

1. In bulk:

5MF - 1,000 pcs per box; 5MFP - 500 pcs per box

2. On Axial Tape & Reel:

1,500 pcs per reel

3. Tape & Reel specification:

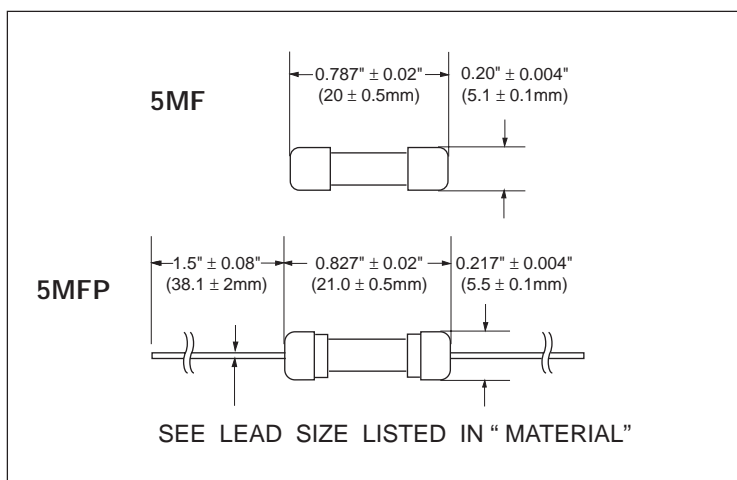
per EIA-296-E & IEC 286-1

@ 10mm Pitch and 63.5mm inside Tape Spacing

Catalog Number	Ampere Rating	Typical Cold Resistance (ohm)	Volt-drop @100% In (Volt) max.	Melting I <sup>2</sup> T < 10 mSec (A <sup>2</sup> Sec)	Melting I <sup>2</sup> T @10 In (A <sup>2</sup> Sec)	Maximum Power Dissipation (W)
5MF (P) 80	80mA	10.2	3.05	0.0004	0.0004	0.32
5MF (P) 100	100mA	7.2	2.65	0.0009	0.0008	0.35
5MF (P) 125	125mA	6.8	3.64	0.0017	0.0015	0.60
5MF (P) 200	200mA	3.4	2.76	0.007	0.006	0.72
5MF (P) 250	250mA	2.4	2.40	0.014	0.013	0.79
5MF (P) 300	300mA	1.7	2.09	0.028	0.027	0.84
5MF (P) 500	500mA	0.84	1.58	0.116	0.113	1.04
5MF (P) 700	700mA	0.18	0.22	0.390	0.370	0.20
5MF (P) 1	1A	0.12	0.20	0.88	0.85	0.26
5MF (P) 1.25	1.25A	0.09	0.19	1.50	1.48	0.31
5MF (P) 1.5	1.5A	0.07	0.18	2.58	2.58	0.36
5MF (P) 2	2A	0.05	0.17	4.4	4.5	0.44
5MF (P) 2.5	2.5A	0.04	0.16	7.6	7.8	0.52
5MF (P) 3	3A	0.03	0.15	13	14	0.59
5MF (P) 3.5	3.5A	0.026	0.14	17	18	0.66
5MF (P) 4	4A	0.022	0.14	22	24	0.73
5MF (P) 5	5A	0.017	0.13	38	41	0.86
5MF (P) 6	6A	0.013	0.12	66	72	0.98
5MF (P) 7	7A	0.011	0.12	86	95	1.10
5MF (P) 8	8A	0.010	0.12	113	126	1.22

Consult manufacturer for other ratings

### Mechanical Dimensions



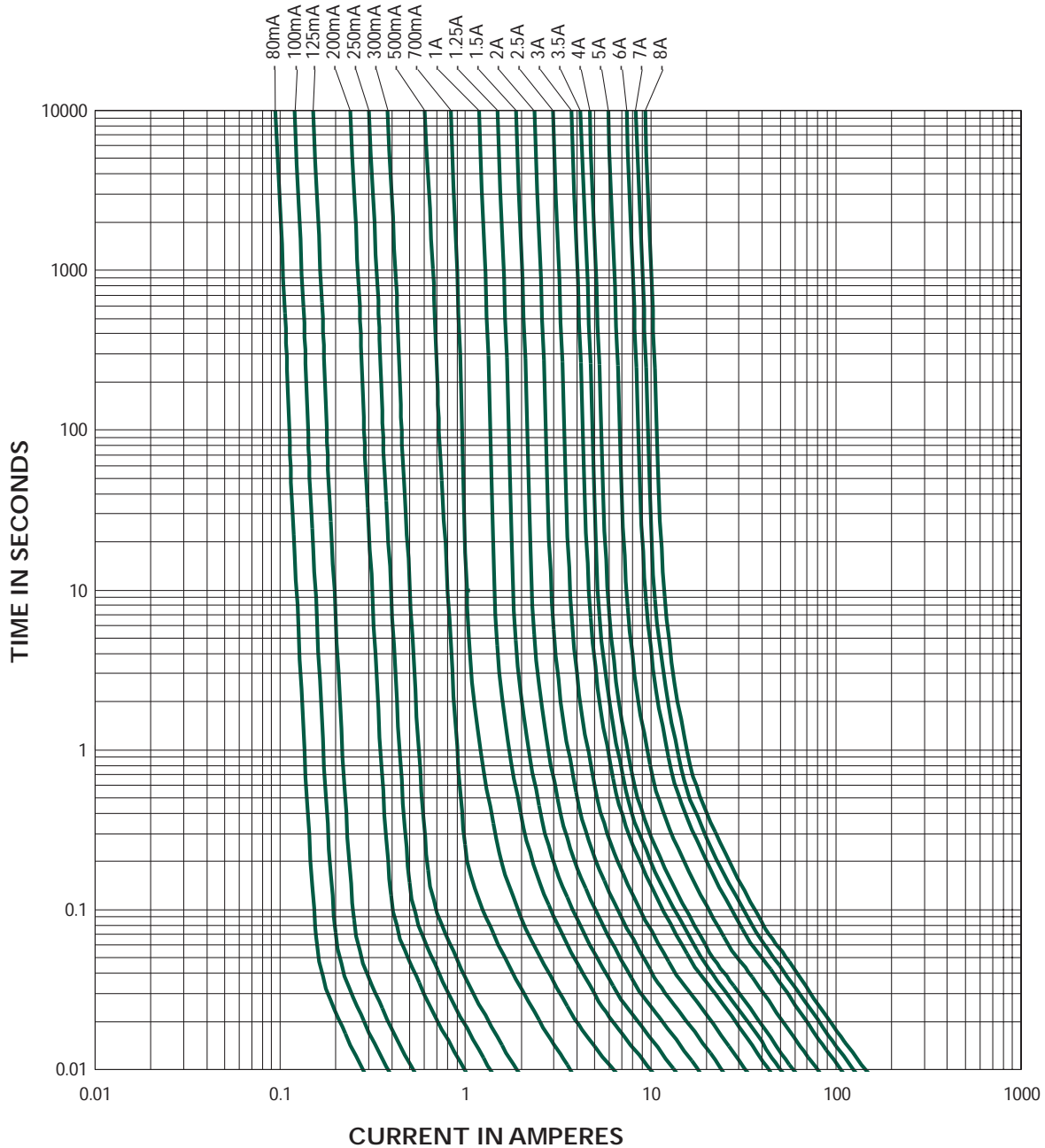
Specifications subject to change without notice

**Type 5MF / 5MFP**  
Fast Blow Fuse Series

5 x 20mm Glass Tube

5MFC0600

**5MF / 5MFP - TIME CURRENT CHARACTERISTIC CURVE**



Specifications subject to change without notice

NOTE - see important information under "User Guide" on P.08

**Corporate Office**

Bel Fuse Inc.  
198 Van Vorst Street, Jersey City, NJ 07302  
Tel: 201-432-0463  
Fax: 201-432-9542  
E-Mail: [belfuse@belfuse.com](mailto:belfuse@belfuse.com)  
Internet: <http://www.belfuse.com>

**Far East Office**

Bel Fuse Ltd.  
8F/8 Luk Hop Street  
San Po Kong  
Kowloon, Hong Kong  
Tel: 852-2328-5515  
Fax: 852-2352-3706

**European Office**

Bel Fuse Europe Ltd.  
Preston Technology Management Centre  
Marsh Lane, Preston PR1 8U  
Lancashire, U.K  
Tel: 44-1772-556601  
Fax: 44-1772-888366