

## General Description

The Durel® D306A is a high-power IC inverter intended for driving EL lamps as large as 180 cm<sup>2</sup>. The D306A IC is equipped with many control functions, including: wave-shaping™ programmability for minimizing audible noise, and features that allow for component cost-savings, precision control of frequencies, and stability of lamp color over wide temperature extremes.



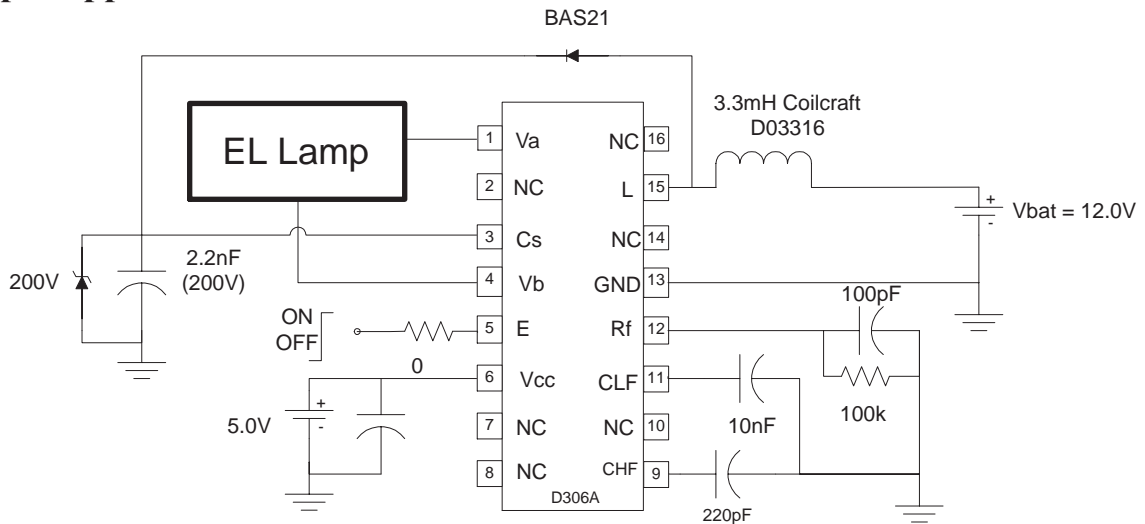
## Features

- 2.0 - 12.0 V<sub>DC</sub> Battery Operation
- High AC Voltage Output to 400V<sub>pp</sub>
- Very Low Standby Current
- Flexible Wave-shaping Capability
- SOIC-16 Narrow Body with Heat Slug

## Applications

- PDA
- Large Area LCD with EL Lamp Backlight
- Signage Backlighting
- Graphics Display Lighting

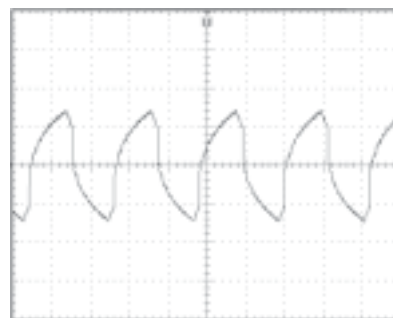
## Sample Application Circuit



## Typical Output

Brightness = 24.5 fL (83.9 cd/m<sup>2</sup>)  
 Lamp Frequency = 448 Hz  
 Logic Supply Current = 25 mA  
 Power Supply Current = 42 mA  
 V<sub>out</sub> = 330 V<sub>pp</sub>  
 Load = 6 in<sup>2</sup> (38.7 cm<sup>2</sup>) Durel® Green EL

## Sample Output Waveform



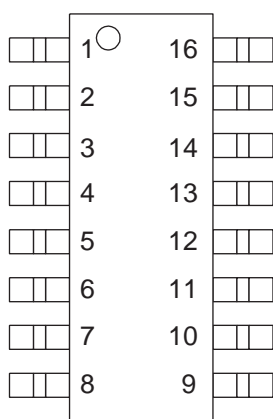
## Absolute Maximum Ratings

Parameter	Symbol	Minimum	Maximum	Unit	Comments
Supply Voltage Operating Range Withstand Range	Vbat	2.0 -0.5	12 16	V	E = Vcc E = GND
Logic Drive Voltage Operating Range Withstand Range	Vcc	2 -0.5	5 6	V	E = Vcc E = GND
Enable Voltage	E	-0.5	Vcc + 0.5	V	
Vout	Va - Vb		410	Vpp	E = Vcc
Operating Temperature	T <sub>a</sub> * T <sub>j</sub>	-40	85 125	°C °C	Ambient Junction
Average Thermal Resistance	θ <sub>ja</sub>		40	°C/W	Junction to Ambient
Storage Temperature	T <sub>s</sub>	-55	150	°C	

\*At a given ambient temperature, the maximum power rating can be calculated with the following equation:  $T_j = P(\theta_{ja}) + T_a$ .

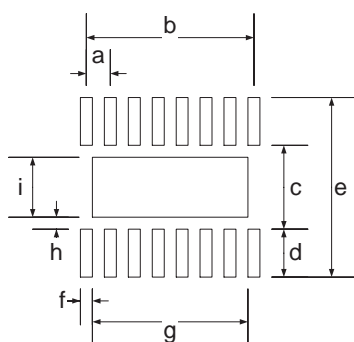
Note: The above are stress ratings only. Functional operation of the device at these ratings or any other above those indicated in the specifications is not implied. Exposure to absolute maximum rating conditions for extended periods of time may affect reliability.

## Physical Data



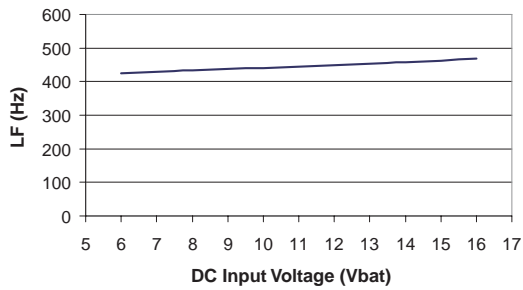
PIN #	NAME	FUNCTION
1	Va	AC voltage output to EL lamp
2	NC	No connect
3	Cs	High voltage storage capacitor to input
4	Vb	AC voltage output to EL lamp
5	E	System enable: Wave-shaping resistor control
6	Vcc	Logic drive voltage
7	NC	No connect
8	NC	No connect
9	CHF	Capacitor input to high frequency oscillator
10	NC	No connect
11	CLF	Capacitor input to low frequency oscillator
12	Rf	Resistor input for frequency control
13	GND	Power ground
14	NC	No connect
15	L	Inductor input
16	NC	No connect

## RECOMMENDED PAD LAYOUT

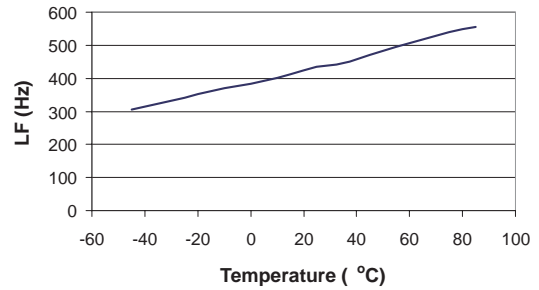


	Min.		Typical		Max.	
	mm.	in.	mm.	in.	mm.	in.
a			1.270	0.050		
b			8.890	0.350		
c	4.267	0.168			4.673	0.184
d	0.609	0.024	0.711	0.028	0.812	0.032
e	5.791	0.228			6.197	0.244
f			0.545	0.021		
g			8.748	0.344		
h			0.830	0.033		
i			3.437	0.135		

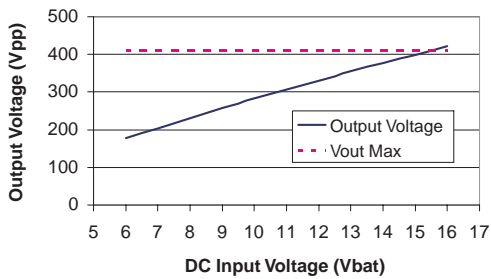
# Typical Performance Characteristics Using Standard Test Circuit



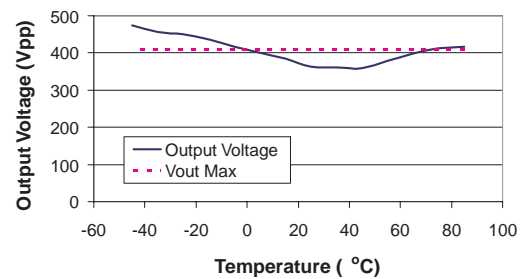
Output Frequency vs. DC Supply Voltage



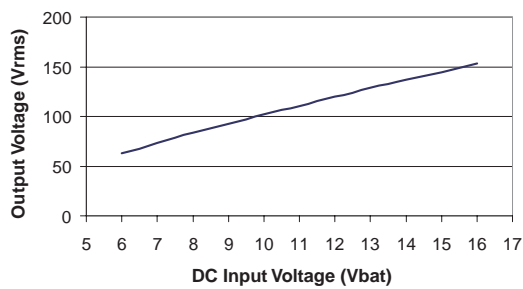
Output Frequency vs. Ambient Temperature



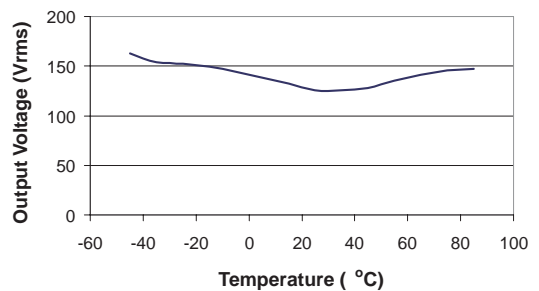
Output Voltage (Vpp) vs. DC Supply Voltage



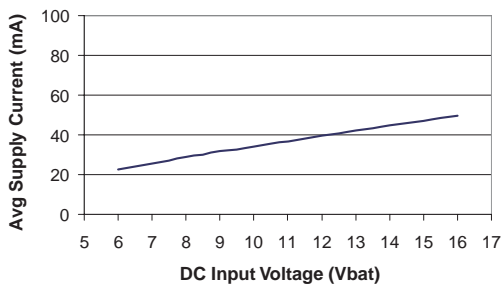
Output Voltage (Vpp) vs. Ambient Temperature



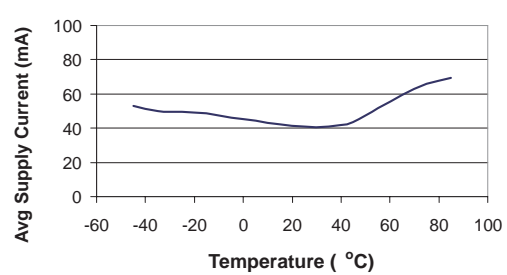
Output Voltage (Vrms) vs. DC Supply Voltage



Output Voltage (Vrms) vs. Ambient Temperature

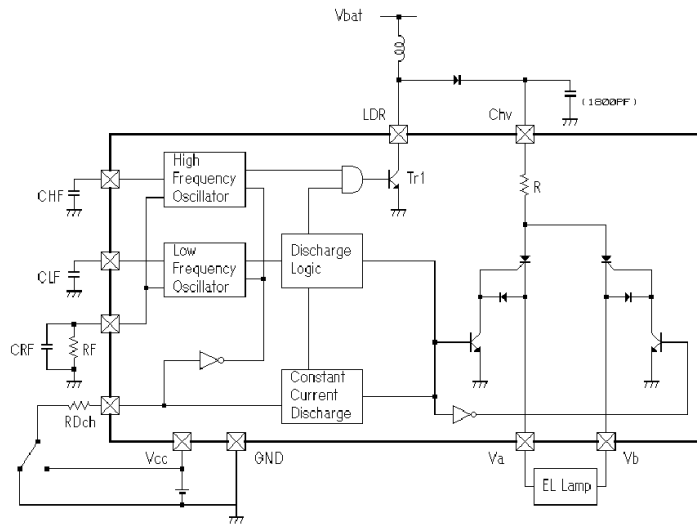


Supply Current (Ibat) vs. DC Supply Voltage



Supply Current (Ibat) vs. Ambient Temperature

## Block Diagram of the Driver Circuitry



## Theory of Operation

Electroluminescent (EL) lamps are essentially capacitors with one transparent electrode and a special phosphor material in the dielectric. When a strong AC voltage is applied across the EL lamp electrodes, the phosphor glows. The required AC voltage is typically not present in most systems and must be generated from a low voltage DC source.

The D306A IC inverter drives the EL lamp by using a switching transistor to repeatedly charge an external inductor and discharge it to the high voltage capacitor  $C_s$ . The discharging causes the voltage at  $C_s$  to continually increase. The internal circuitry uses the H-bridge technology, using both electrodes to drive the EL lamp. One of the outputs,  $V_a$  or  $V_b$ , is used to discharge  $C_s$  into the EL lamp during the first half of the low frequency (LF) cycle. By alternating the state of the H-bridge, the other output is used to charge the EL lamp during the second half of the LF cycle. The alternating states make it possible to achieve 400V peak-to-peak across the EL lamp.

The EL driving system is divided into several parts: on-chip logic control, on-chip high voltage output circuitry, on-chip discharge logic circuitry, and off-chip components. The on-chip logic controls the lamp operating frequency (LF) and the inductor switching frequency (HF). These signals are used to drive the high voltage output circuitry (H-bridge) by delivering the power from the inductor to the lamp. The integrated discharge logic circuitry uses a patented wave shaping technique for reducing audible noise from an EL lamp. Changing the  $R_d$  value changes the slope of the linear discharge as well as the shape of the waveform. The off-chip component selection provides a degree of flexibility to accommodate various lamp sizes, system voltages, and brightness levels.

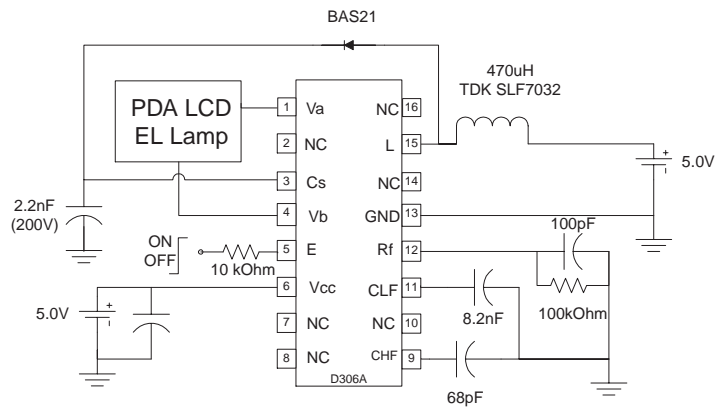
Typical D306A EL driving configurations for driving EL lamps in various applications are shown on the following page. The expected system outputs for the various circuit configurations are also shown with each respective figure. These examples are only guides for configuring the driver. Durel provides a D306A Designer's Kit, which includes a printed circuit evaluation board intended to aid you in developing an EL lamp driver configuration using the D306A that meets your requirements. A section on designing with the D306A is included in this datasheet to serve as a guide to help you select the appropriate external components to complete your D306A EL driver system.

# Typical D306A EL Driver Configurations

## 5.0V PDA Display

### Typical Output

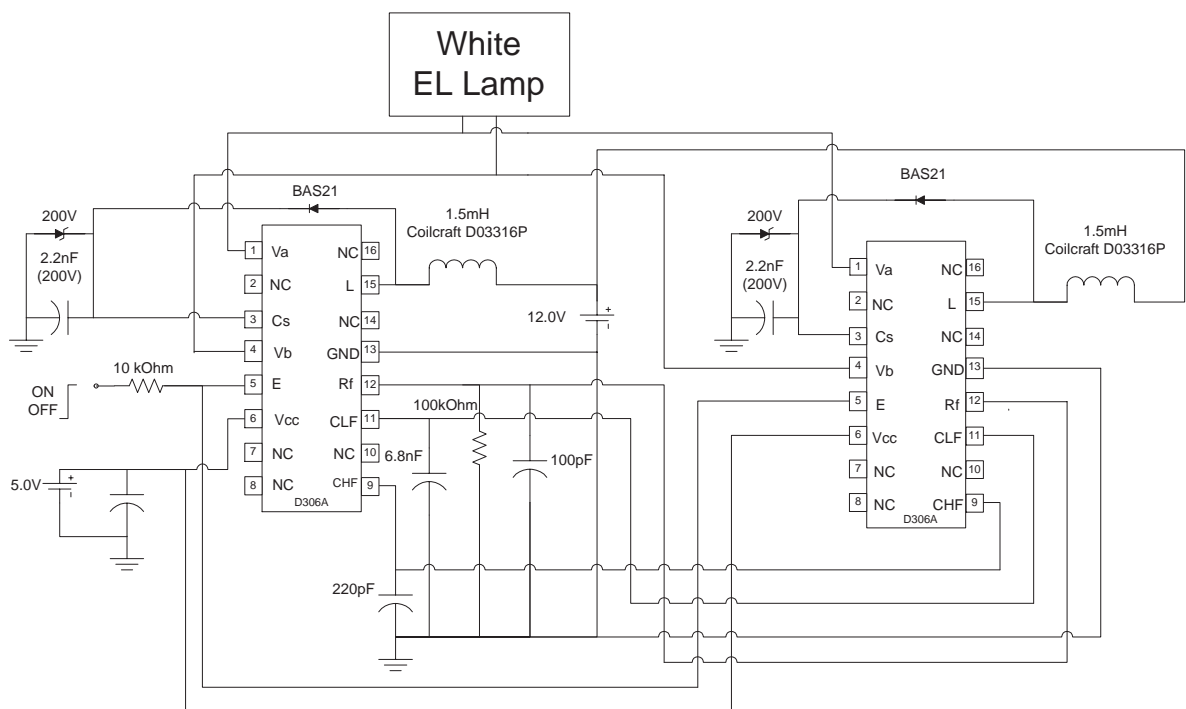
- Brightness = 22.0 fL (75.4 cd/m<sup>2</sup>)
- Lamp Frequency = 370 Hz
- Logic Supply Current = 25 mA
- Power Supply Current = 108 mA
- Vout = 380 Vpp
- Load = 5 in<sup>2</sup> (32.2 cm<sup>2</sup>) Durel® Green EL



## 12.0 V Dual D306A for Sign Backlight

### Typical Output

- Brightness = 27.1 fL (92.8 cd/m<sup>2</sup>)
- Lamp Frequency = 525 Hz
- Logic Supply Current = 48 mA
- Power Supply Current = 212 mA
- Vout = 368 Vpp
- Load = 18.3 in<sup>2</sup> (118 cm<sup>2</sup>) Durel® White EL



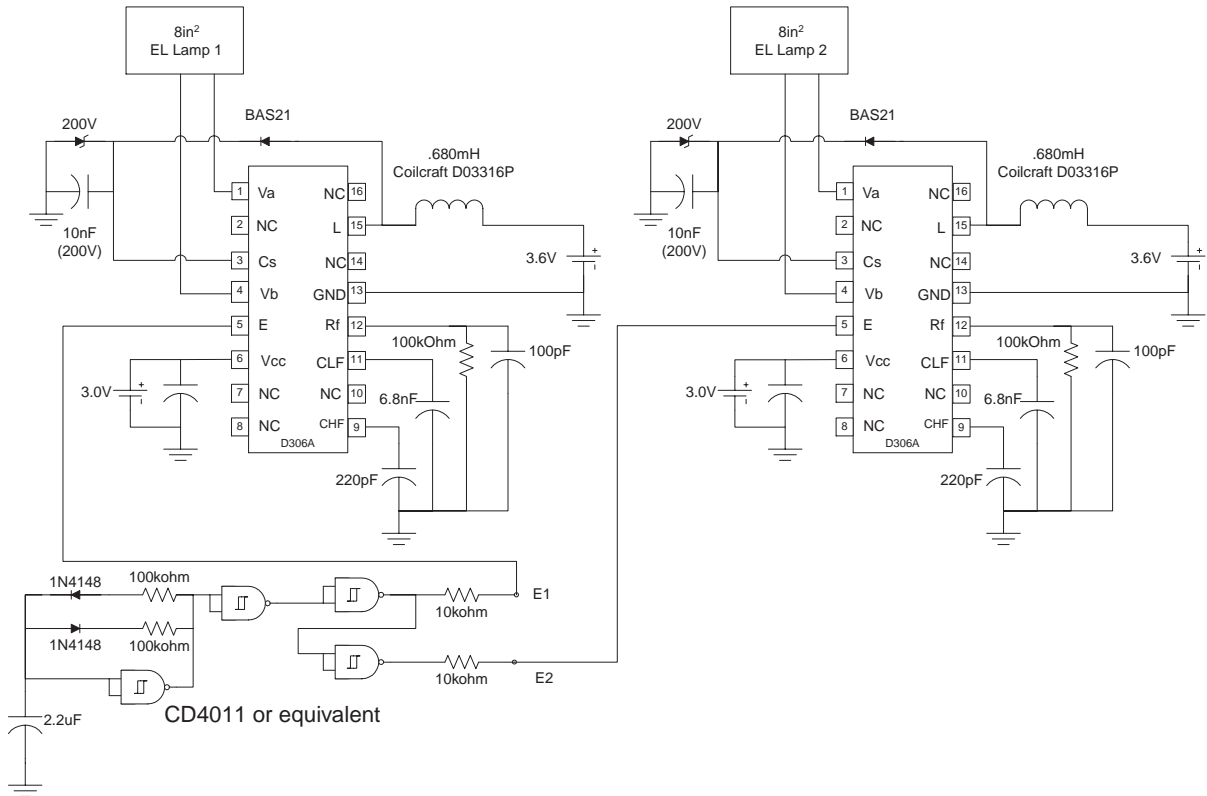
### 3.6V Alternating Circuit\*

#### Typical Output EL Lamp 1

Brightness = 14 fL (48.0 cd/m<sup>2</sup>)  
 Lamp Frequency = 300 Hz  
 Logic Supply Current = 24 mA  
 Power Supply Current = 74 mA  
 V<sub>out</sub> = 272 V<sub>pp</sub>  
 Load = 8 in<sup>2</sup> (cm<sup>2</sup>) Durel<sup>®</sup> White EL

#### Typical Output EL Lamp 2

Brightness = 14 fL (48.0 cd/m<sup>2</sup>)  
 Lamp Frequency = 300 Hz  
 Logic Supply Current = 24 mA  
 Power Supply Current = 74 mA  
 V<sub>out</sub> = 272 V<sub>pp</sub>  
 Load = 8 in<sup>2</sup> (cm<sup>2</sup>) Durel<sup>®</sup> White EL

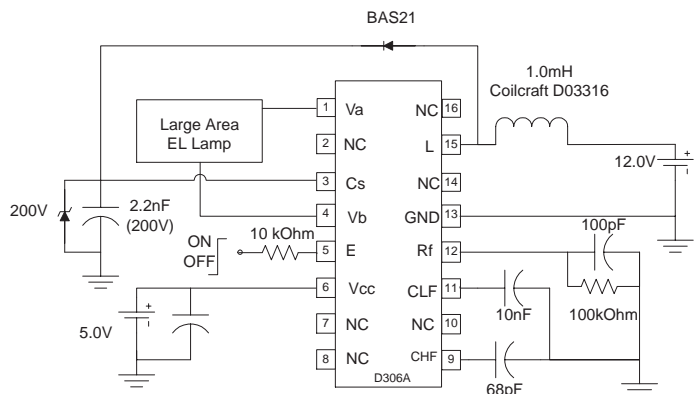


\*Note: Two separate backlight systems are alternately enabled using the same supply lines.

### 9.0V Large Signage Lamp

#### Typical Output

Brightness = 4.90 fL (16.8 cd/m<sup>2</sup>)  
 Lamp Frequency = 335 Hz  
 Logic Supply Current = 24 mA  
 Power Supply Current = 148 mA  
 V<sub>out</sub> = 224 V<sub>pp</sub>  
 Load = 30 in<sup>2</sup> (193.5 cm<sup>2</sup>) Durel<sup>®</sup> Green EL



# Designing With D306A

There are many variables which can be optimized to achieve the desired performance for specific applications. The luminance of the EL lamp is a function of the output voltage applied to the lamp by the IC, the frequency at which the voltage is applied, the lamp material properties, and the lamp size. Durel offers the following component selection aids to help the designer select the optimum circuit configuration.

## I. Lamp Frequency Capacitor (CLF) Selection

Selecting the appropriate value of capacitor (CLF) for the low frequency oscillator will set the output frequency of the D306A EL driver IC. Figure 1 graphically represents the effect of the CLF capacitor value on the oscillator frequency at  $V_{bat} = 13.5V$ ,  $V_{cc} = 5.0V$ .

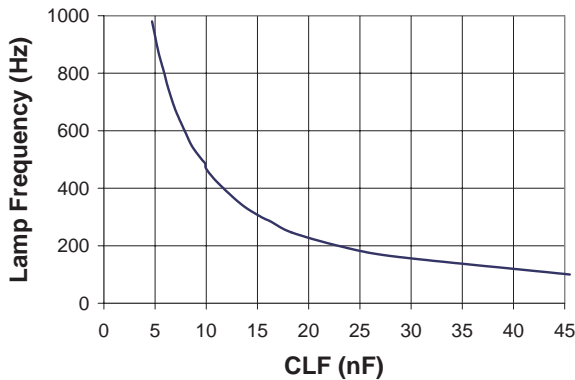


Figure 1: Typical Lamp Frequency vs. CLF Capacitor

## II. Inductor Switching Frequency (CHF) Selection

Selecting the appropriate value of capacitor (CHF) for the high frequency oscillator will set the inductor switching frequency of the D306A inverter. Figure 2 graphically represents the effect of the CHF capacitor value on the oscillator frequency at  $V_{bat} = 13.5V$ ,  $V_{cc} = 5.0V$ .

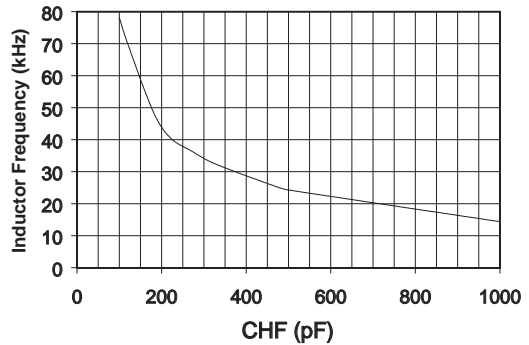


Figure 2: Typical Inductor Frequency vs. CHF Capacitor

## III. Inductor (L) Selection

The inductor value has a large impact on the output brightness and current consumption of the driver. Figure 3 shows typical brightness and current draw of a D306A circuit with different inductor values. Please note that the DC resistance (DCR) and current rating of inductors with the same inductance value may vary with manufacturer and inductor type. Thus, inductors made by a different manufacturer may yield different outputs, but the trend of the different curves should be similar. This curve is intended to give the designer a relative scale from which to optimize specific applications. Absolute measurements may vary depending upon the type and brand of other external components selected.

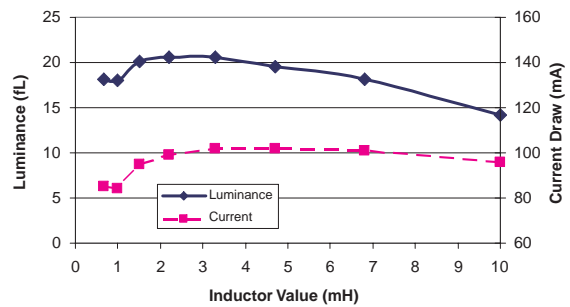


Figure 3: Brightness and current vs. inductor value  
Conditions:  $V_{cc} = 5V$ ,  $V_{bat} = 6.5V$ ,  $6.1 \text{ in}^2$  ( $39.4 \text{ cm}^2$ ) EL Lamp

## IV. Wave-Shape Selection

The D306A EL Driver uses a patented wave-shaping technique for reducing audible noise from an EL lamp. The slope of the discharge section of the output waveform may be adjusted by selecting a proper value for the wave-shape discharge resistor ( $R_d$ ) in series with the E pin input. The optimal discharge level for an application depends on the lamp size, lamp brightness, and application conditions. To ensure that the D306A is configured optimally, various discharge levels should be evaluated. In many cases, lower discharge levels may result in lower audible noise from the EL lamp. The recommended typical value for  $R_d$  is 10 k $\Omega$ .

## V. Storage Capacitor ( $C_s$ ) Selection

The  $C_s$  capacitor is used to store the energy transferred from the inductor before discharging the energy to the EL lamp.  $C_s$  values can range from 1.5nF to 4.7nF and must have minimum 200V rating. In general, the  $C_s$  value does not have a large affect on the output of the device. The typical  $C_s$  capacitor recommendation is 2.2nF with 200V rating.

## VI. $R_f$ and $C_{Rf}$ Selection

The combination of  $R_f$  and timing capacitors, CLF and CHF, determines the time constants for the low frequency oscillator and the high frequency oscillator, respectively. To simplify the tuning of the oscillator frequencies to the desired frequency range, a standard value is recommended for  $R_f = 100$  k $\Omega$ .

The  $C_{Rf}$  capacitor is used as a stabilizing capacitor to filter noise on the  $R_f$  line. A small 100pF capacitor is typical and sufficient value for  $C_{Rf}$ .

## VII. Fast Recovery Diode

Energy stored by the coil is eventually forced through the external diode to power the switched H-bridge network. A fast recovery diode, such as BAS21, is recommended for this function for optimum operation.

## VIII. Printed Circuit Board Layout

The high frequency operation and very high voltage

output of the D306A makes printed circuit board layout important for minimizing electrical noise. Maintain the IC connections to the inductor as short as possible. Connect the GND of the device directly to the GND plane of the PCB. Keep the GND pin of the device and the ground leads of the  $C_s$ , CLF, and CHF less than 5mm apart. If using bypass capacitors to minimize ripple on the supply lines, keep the bypass caps as close as possible to the Vbat lead of the inductor and the Vcc pin.

The higher than normal operating temperature of the D306A also requires additional ground heat planes on the printed circuit board layout. The D306A has a heat slug attached to the bottom of the package to provide additional heat dissipation. It is recommended that the PCB incorporate a complimentary grounded heat plane to solder connect to the heat slug of the package. It is also recommended that no electrical traces, which can be adversely affected by the temperature transfer and the high voltage output, be laid out underneath the device. The temperature transfer, as well as high voltage output, may adversely affect these electrical traces. Recommended pad layout dimensions can be found on the last page of this datasheet.

## IX. Optional Zener Diodes

The D306A EL driver circuit should be designed such that the output voltage of the device does not exceed the maximum rated value of 400Vpp. Operating the D306A above this rating can cause irreversible damage to the device. This condition is most likely in applications, such as in automotive instrument clusters, where the supply voltage (Vbat) is higher than 6.0V and can generate output voltage greater than 400Vpp. Extreme temperature change can also cause the output voltage to exceed the maximum rating, especially when the nominal operating voltage of the device is close to the maximum limit at room temperature.

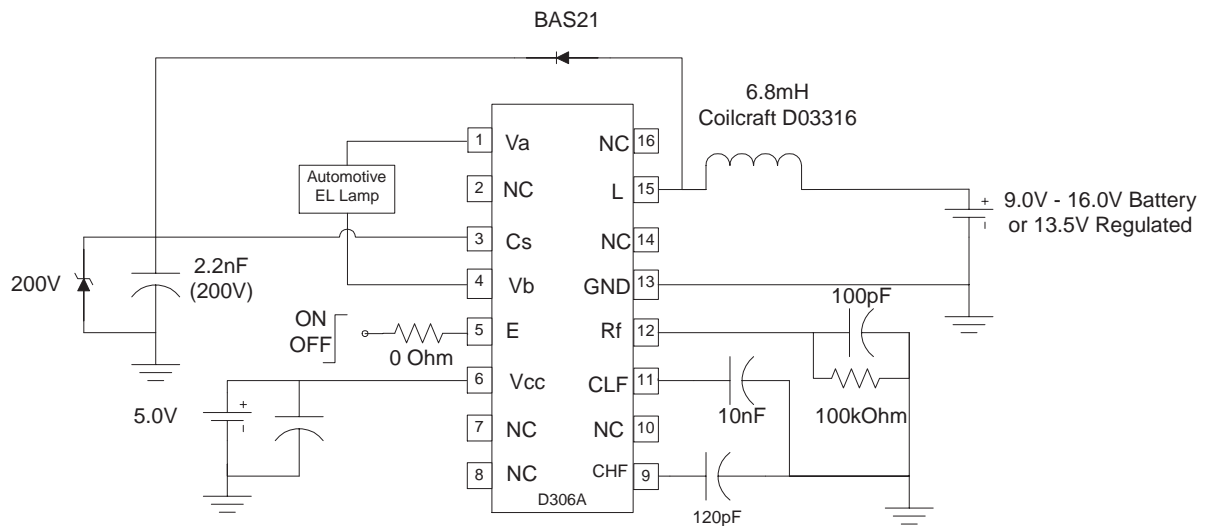
A zener diode connected in parallel to the  $C_s$  capacitor and ground of the D306A is recommended to limit the device output to less than 400Vpp. This component is optional and may be avoided in applications which are known to function only within safe operating conditions.



## X. Split Voltage Supply

A split supply voltage is recommended to drive the D306A. To operate the on-chip logic, a regulated voltage supply ( $V_{cc}$ ) ranging from 2.0V to 6.5V is applied. To supply the D306A with the necessary power to drive an EL lamp, another supply voltage ( $V_{bat}$ ) with higher current capability is applied to the inductor. The voltage range of  $V_{bat}$  is determined by the following conditions: user application, lamp size, inductor selection, and power limitations of the battery.

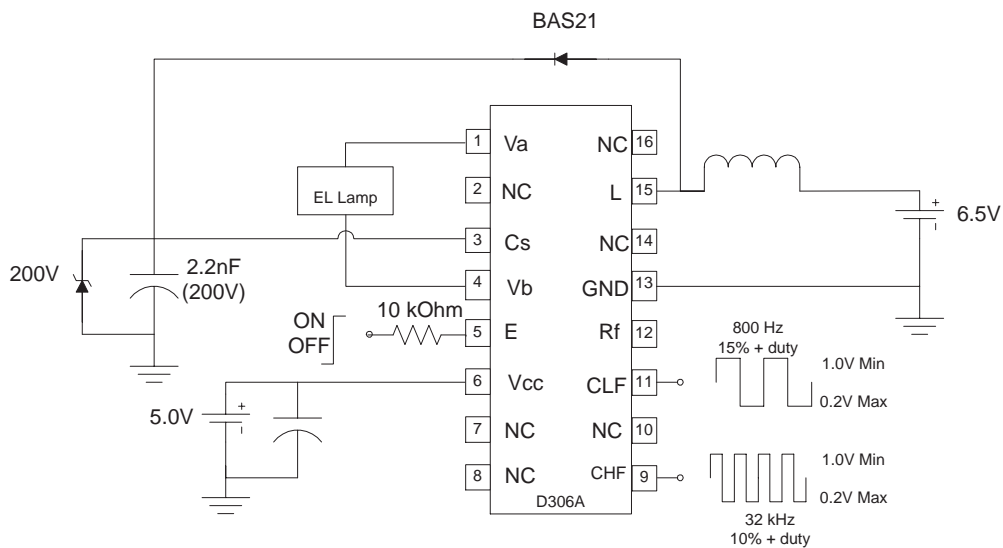
An example of the split supply configuration is shown below. This example shows a regulated 5.0V applied to the  $V_{cc}$  pin, and a  $V_{bat}$  voltage that may range from 9.0V to 16.0V or regulated at 13.5V. The enable voltage is in the range of 3.0V to 5.0V. This is a typical setup used in automotive applications.



## D306A Design Ideas

### I. Controlling Output Frequency Using External Clock Signals

External clock signals may be used to control the D306A oscillator frequencies instead of adding external passive components. When clocking signals provide both the inductor charging (HF) and lamp output (LF) oscillator frequencies to drive the D306A, the CLF, CHF, Rf, and CRf components are no longer required. A sample configuration demonstrating this cost-saving option is shown below.



In this configuration, the lamp frequency is controlled by the signal applied to the CLF pin. An internal divider network in the IC divides the frequency of the LF input signal by two. Thus, to get a 400 Hz AC output waveform to drive the EL lamp, an 800 Hz square-wave input signal should be connected to the CLF pin. Input clocking frequencies may range from 400 Hz to 2000 Hz, with 10-20% positive duty cycle for optimum brightness. The amplitude of the clock signal typically ranges from 1.0V to Vcc.

The high frequency oscillator that determines inductor charging frequency is controlled above by a digital AC signal into the CHF pin. The HF clock signal frequency may range from 20KHz - 35KHz, with 10-20% positive duty cycle for optimum lamp intensity. The amplitude of the clock signal typically ranges from 1.0V to Vcc.

## II. Controlling EL Brightness through Clock Pulse Width Modulation (Option 1)

Pulse width modulation of the external LF input signal may be used to regulate the brightness of the EL lamp. Figures 4, 5, and 6 below demonstrate examples of the D306A output waveform with pulse width modulation of the LF input signal. As the positive duty cycle of the LF input signal is increased from 10% to 100%, the charging period of the output waveform decreases, and the peak voltage of the output waveform also decreases towards zero output. Therefore, incremental dimming occurs as a result of the wave-shaping changes. This scheme may also be used inversely to regulate lamp brightness over the life of the battery or to compensate for lamp aging. Figure 7 shows a typical dimming curve with this technique. Operation at duty cycles lower than 10% is not recommended. Clocking frequency can range from 400 Hz to 2000 Hz. The maximum amplitude of the clock signal may range from 1.0V to  $V_{cc}$ .

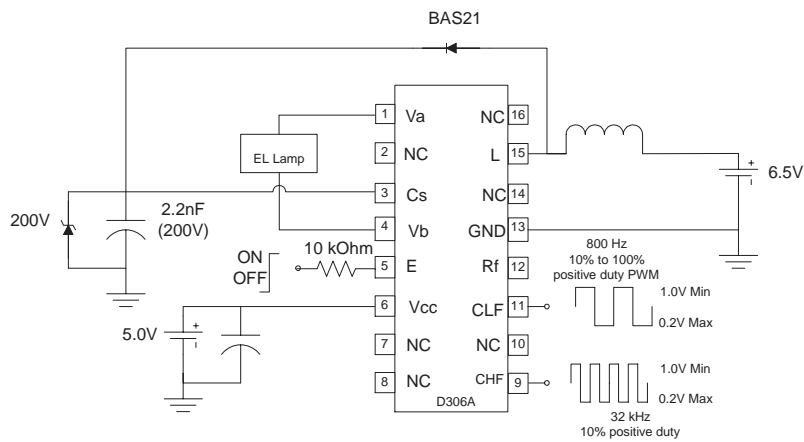


Figure 4: LF Input Duty Cycle = +10%

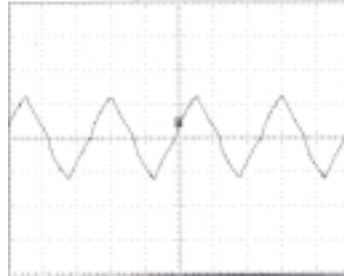


Figure 5: LF Input Duty Cycle = +50%

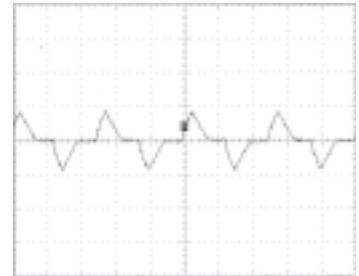


Figure 6: LF Input Duty Cycle = +75%

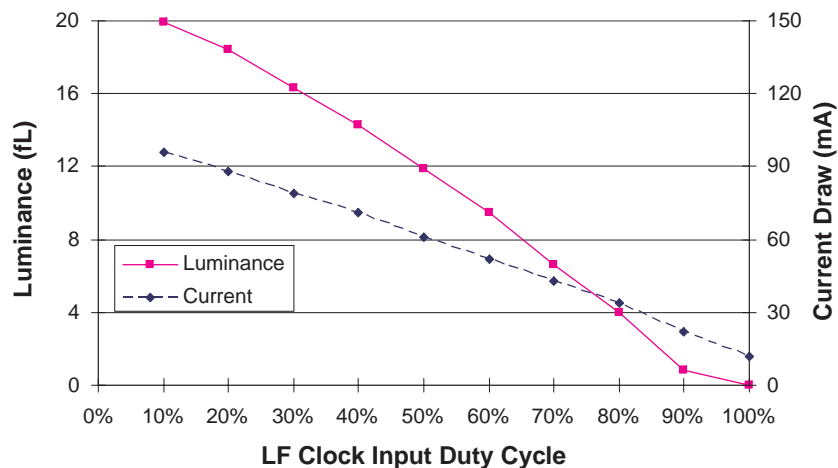


Figure 7: Dimming through LF Clock Input Duty Cycle

### III. Controlling EL Brightness through Clock Pulse Width Modulation (Option 2)

Pulse width modulation of the external HF input signal also may be used to regulate the brightness of the EL lamp. As the positive duty cycle of the HF input signal is increased from 10% to 80%, the peak voltage of the output waveform decrease incrementally to zero output as the inductor charging period is affected by the HF duty cycle. Lamp dimming is thus achieved with pulse width modulation of the HF input signal to the D306A. This scheme may also be used inversely to regulate lamp brightness over the life of the battery or to compensate for lamp aging. Figure 8 shows a typical dimming curve with this technique. The recommended HF duty cycle range is from 10% to 80%. Clocking frequency can range from 20 KHz to 35 KHz. The maximum amplitude of the clock signal may range from 1.0V to Vcc.

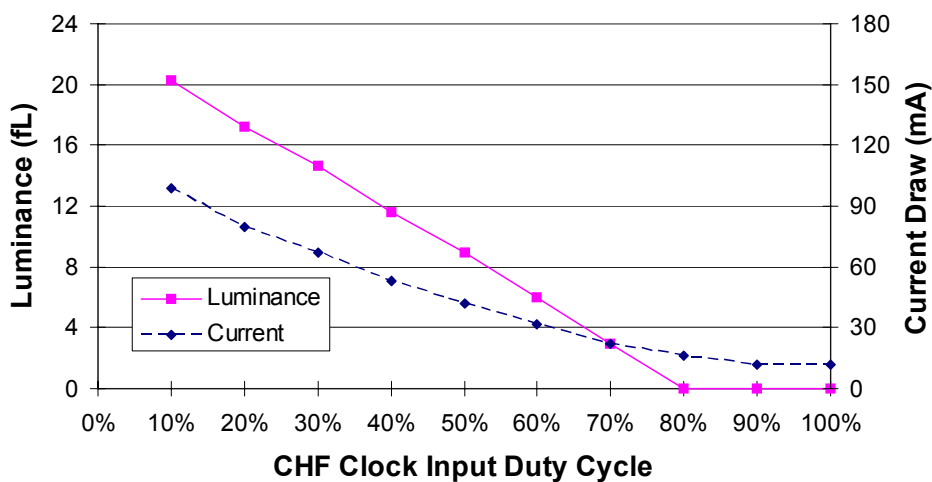
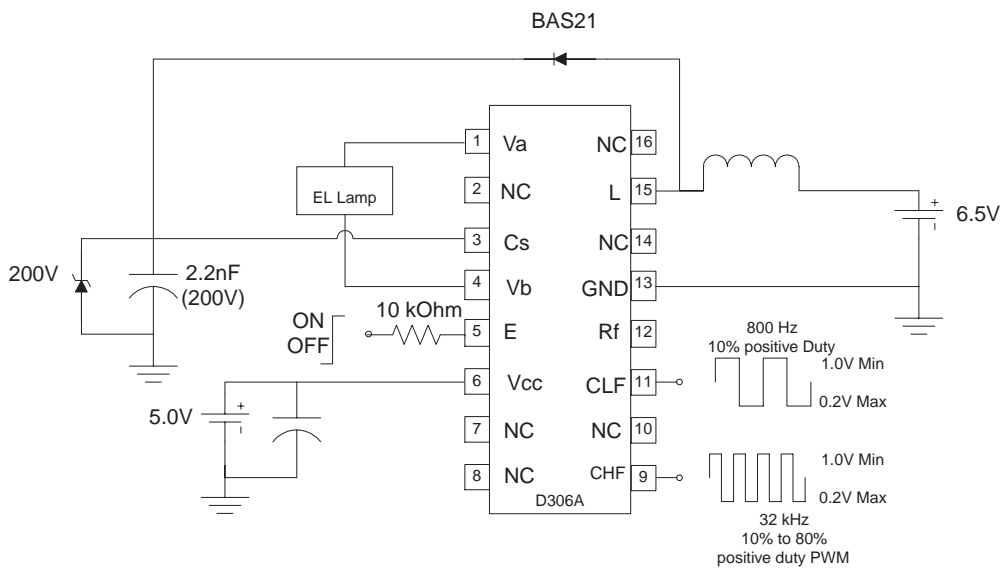
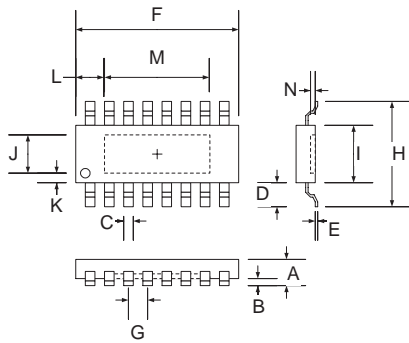


Figure 8: Dimming through HF Clock Input Duty Cycle

## Ordering Information:

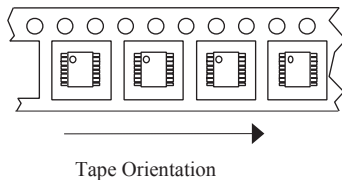
The D306A IC is available in standard SOIC-16 narrow body with heat slug plastic package per tape and reel. A Durel D306A Designer's Kit (1DDD306AA-K01) provides a vehicle for evaluating and identifying the optimum component values for any particular application using D306A. Durel engineers also provide full support to customers including specialized circuit optimization and application retrofits upon request.



SOIC's are marked with part number (306A) and 3-digit wafer lot code. Bottom of marking is on the Pin 1 side.

Description	SOIC-16 with Heat Slug					
	Min.		Typical		Max.	
	mm.	in.	mm.	in.	mm.	in.
A	1.372	0.052	1.550	0.061	1.727	0.068
B	0.102	0.004	0.176	0.007	0.249	0.010
C	0.330	0.013	0.419	0.017	0.508	0.020
D	0.864	0.034	1.042	0.041	1.219	0.048
E	0.191	0.008	0.220	0.009	0.249	0.010
F	9.802	0.386	9.901	0.390	9.999	0.394
G	1.016	0.040	1.270	0.050	1.524	0.060
H	5.791	0.228	5.994	0.236	6.197	0.244
I	3.861	0.152	3.925	0.115	3.988	0.157
J			2.794	0.110		
K			0.566	0.022		
L			1.395	0.055		
M			7.112	0.280		
N			0.432	0.017		

## SOICs in Tape and Reel: 1DDD306AA-S06



Embossed tape on 360 mm diameter reel 2500 units per reel. Quantity marked on reel label.

## ISO 9001 Certified

### DUREL Corporation

2225 W. Chandler Blvd.  
Chandler, AZ 85224-6155  
Tel: (480) 917-6000  
FAX: (480) 917-6049  
Website: <http://www.durel.com>

*The DUREL name and logo are registered trademarks of DUREL CORPORATION. Wave-shaping is a trademark of Durel Corporation.*

*This information is not intended to and does not create any warranties, express or implied, including any warranty of merchantability or fitness for a particular purpose. The relative merits of materials for a specific application should be determined by your evaluation.*

*This driver IC is covered by the following U.S. patents: #5,313,141, #5,789,870, #6,297,597 B1. Corresponding foreign patents are issued and pending.*