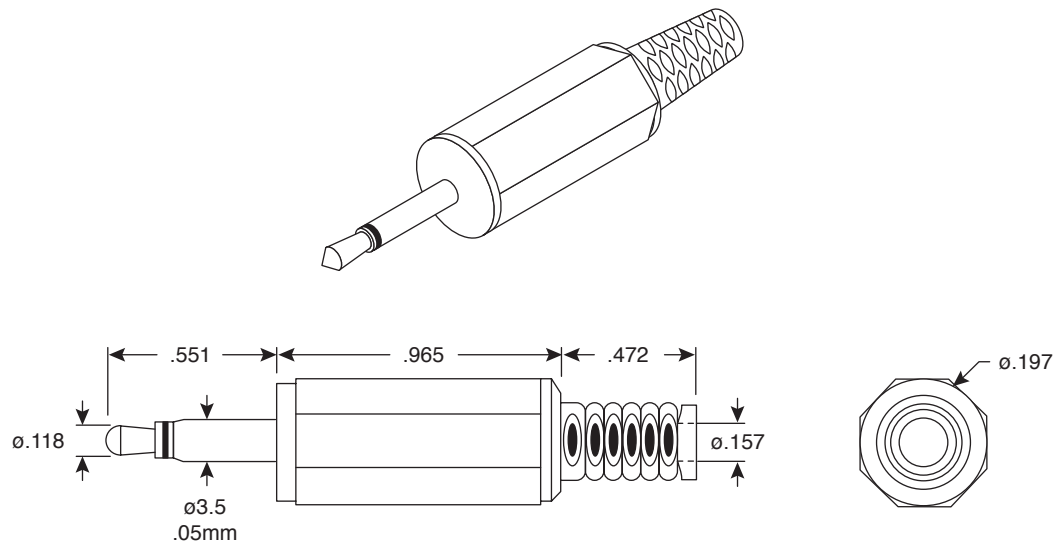


3.5mm Plug

17PP047-EX



3.5mm Plug



Dimensions: In.

SPECIFICATIONS	
Contact Resistance:	50m Ω max.
Insulation Resistance:	100M Ω @ 500VDC
Withstand Voltage:	500VAC for 1 Minute
Tip, Sleeve, Terminal:	Nickel Plated Brass
Insulator:	ABS
Cap:	Polyethylene
Connecting Pin:	Nickel Plated Steel
RoHS Compliant by Exemption	

17PP047-EX

Date Last Revised: 12-22-05

Available from Mouser Electronics
 1-800-346-6873
 www.mouser.com

KC-300889