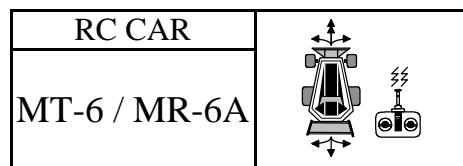




RC CAR  
7 FUNCTIONS

7 功能遙控車



FEATURES 功能敘述

- 7 functions : F, B, TBO, L, R, TG1, TG2 .
- Built-in regulator.

Input condition	O/P condition		
	Forward	Backward	Turbo
Forward	=High	Low	Low
Backward	Low	=High	Low
Forward+Turbo	=High	Low	=High
Backward+Turbo	Low	=High	=High

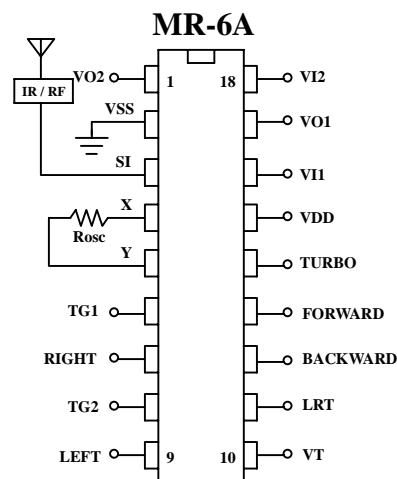
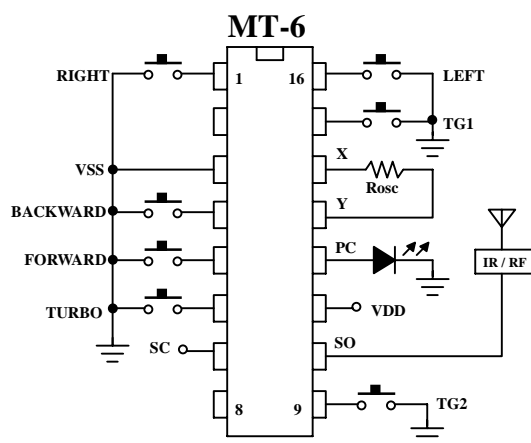
APPLICATION 產品應用

- RC car etc..

ELECTRICAL CHARACTERISTICS 電氣規格

Characteristics	Sym.	Min.	Typ.	Max.	Unit	REMARKS
工作電壓 Operating Voltage	$V_{DD}$	2.5	9	12	V	MT-6
工作電壓 Operating Voltage	$V_{DD}$	2.5	4	5	V	MR-6A
工作電流 Operating Current	$I_{OP}$	—	—	3	mA	No load
靜態電流 Quiescent Current	$I_{SB}$	—	—	10	$\mu A$	MT-6 only
振盪頻率 Oscillator Frequency	$F_{OSC}$	—	128	—	KHz	External $\pm$ 30%
工作溫度 Operating Temperature	Temp.	0	25	60	$^{\circ}C$	

APPLICATION DIAGRAM 參考電路圖



\*@9V, Rosc→MT-6 : 180K $\Omega$ ; @4V, MR-6A : 150K $\Omega$

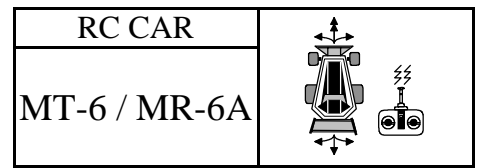
\*All specs and applications shown above subject to change without prior notice.

( 以上電路及規格僅供參考,本公司得逕行修正 )



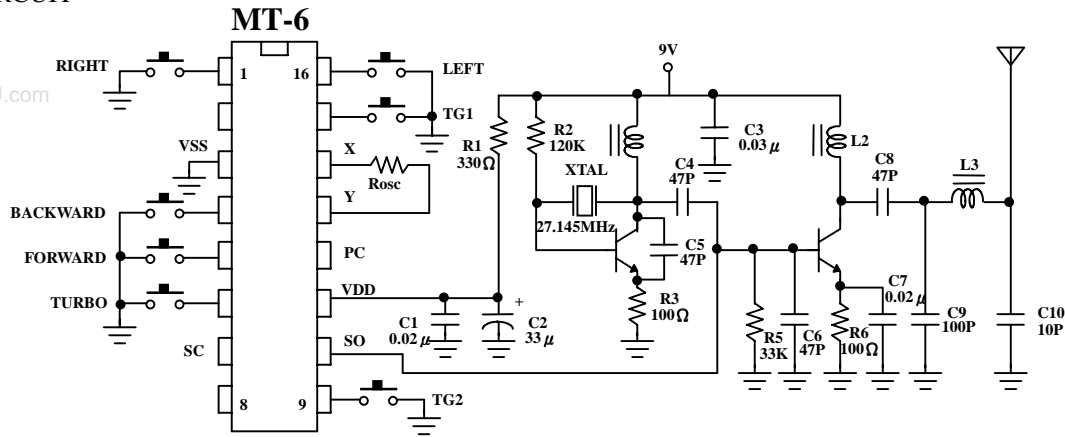
RC CAR  
7 FUNCTIONS

7 功能遙控車

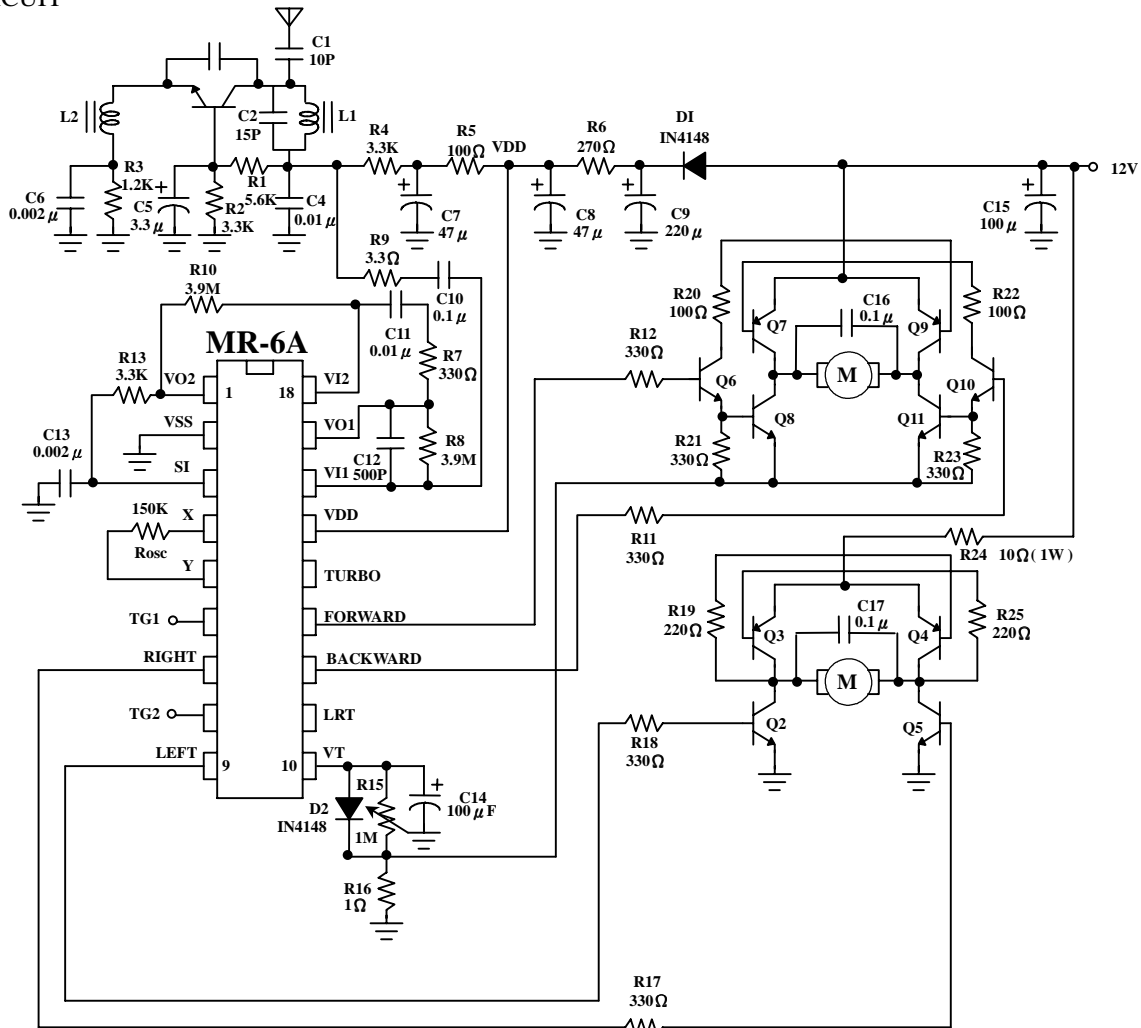


APPLICATION DIAGRAM 參考電路圖

TX CIRCUIT



RX CIRCUIT



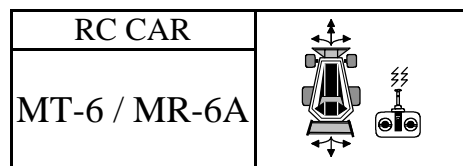
\*All specs and applications shown above subject to change without prior notice.

( 以上電路及規格僅供參考,本公司得逕行修正 )



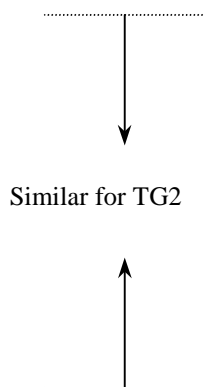
RC CAR  
7 FUNCTIONS

7 功能遙控車



COMBINATION OF FUNCTION

MT-6	MR-6A
F	F
F+L	F+L
F+R	F+R
TBO	TBO
TBO+F	TBO+F
TBO+F+L	TBO+F+L
TBO+F+R	TBO+F+R
B	B
B+L	B+L
B+R	B+R
TBO+B	TBO+B
TBO+B+L	TBO+B+L
TBO+B+R	TBO+B+R
L	L
R	R
TG1	TG1
TG1+F	TG1+F
TG1+TBO+F	TG1+TBO+F
TG1+TBO	TG1+TBO
TG1+B	TG1+B
TG1+TBO+B	TG1+TBO+B
TG1+F+L	TG1+F+L
TG1+F+R	TG1+F+R
TG1+B+L	TG1+B+L
TG1+B+R	TG1+B+R
TG1+L	TG1+L
TG1+R	TG1+R



www.DataSheet4U.com