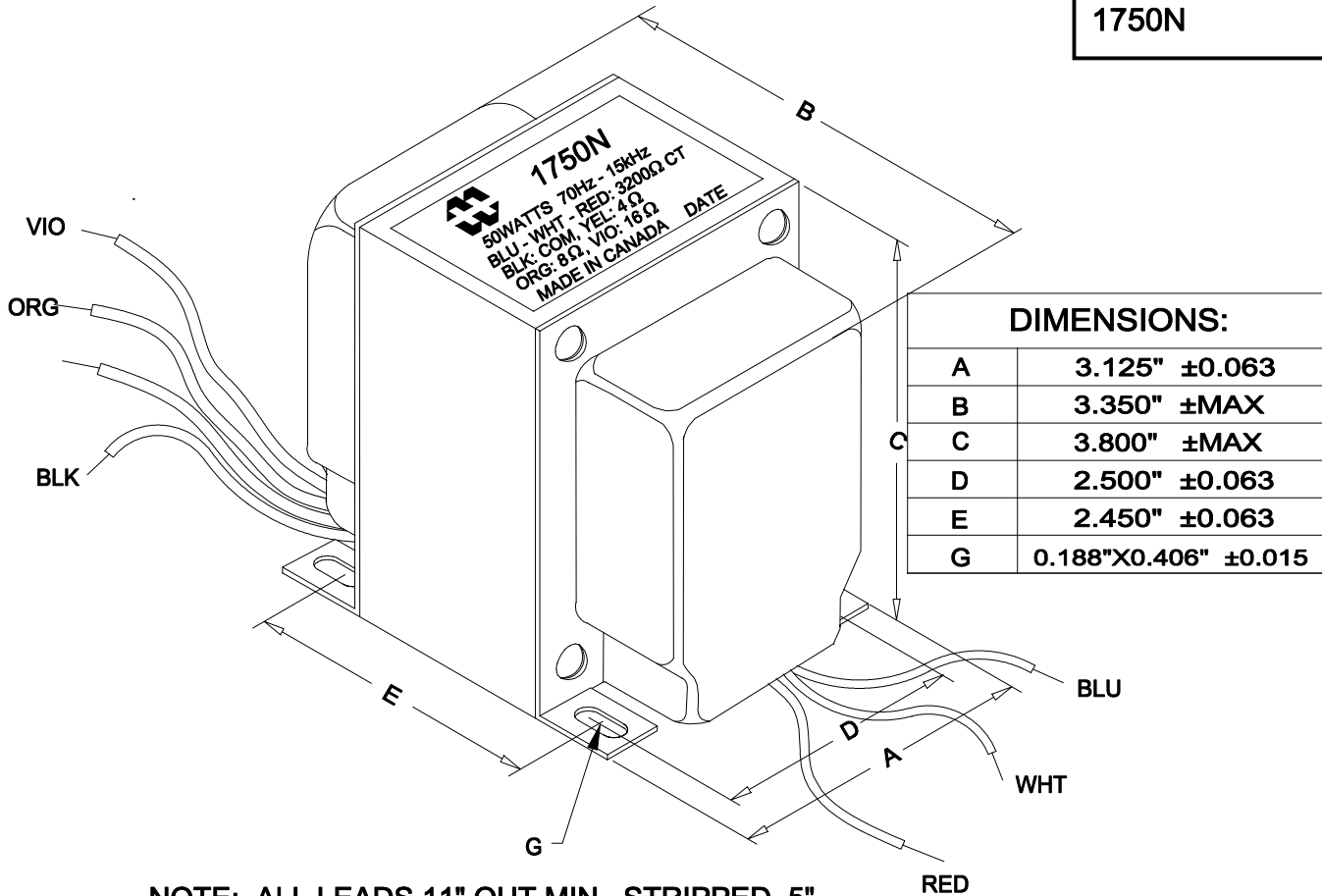
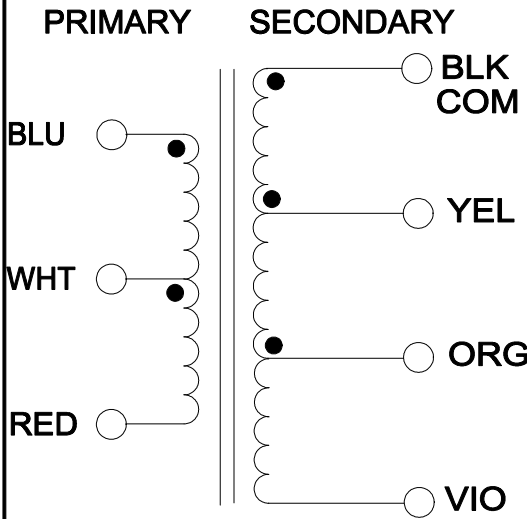


1750N



DIMENSIONS:	
A	3.125" ±0.063
B	3.350" ±MAX
C	3.800" ±MAX
D	2.500" ±0.063
E	2.450" ±0.063
G	0.188"X0.406" ±0.015

NOTE: ALL LEADS 11" OUT MIN., STRIPPED .5"



ELECTRICAL DATA:

Turns ratio:	14.30 : 1
Inductance	@240V, 50Hz => 119.37H (Open circuit)
DCR	@ 20C, BLU - WHT = 41.74 ±20%
	@ 20C, WHT - RED = 43.14 ±20%
	@ 20C, BLK - YEL = 0.36 ±20%
	@ 20C, YEL - ORG = 0.17 ±20%
	@ 20C, ORG - VIO = 0.24 ±20%
FREQ. RESP	@ 50W (400V), 70Hz - 15kHz, BLU - RED ±1db (1kHz Ref.)
Pri. Impedance	3200 Ω (Plate - Plate) (400V)
Sec. Impedance	4 Ω (14.1V 3.5A) / 8 Ω (20V 2.5A) / 16 Ω (28.3V 1.8A)
Power	50 WATTS



**HAMMOND
ELECTRONICS**

52 RANKIN PLACE,
WATERLOO, ONTARIO, N2L 3Z5.
PHONE (519) 886-6181
FAX # (519) 886-9540

TITLE **Power Transformer**

			DR BY IOAN POP
0	05/11/09	RELEASED	DATE 05/11/09
NO	DATE	REVISION	DIM IN(X)MM()

1750N