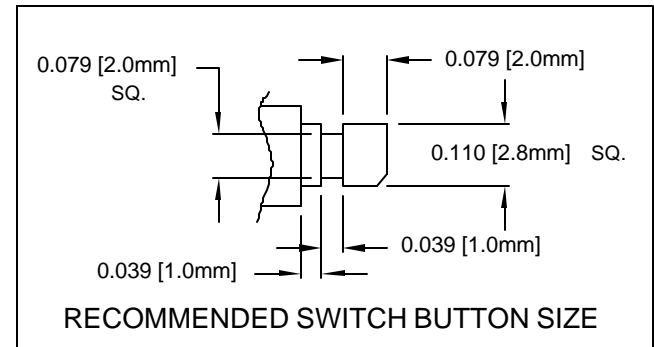
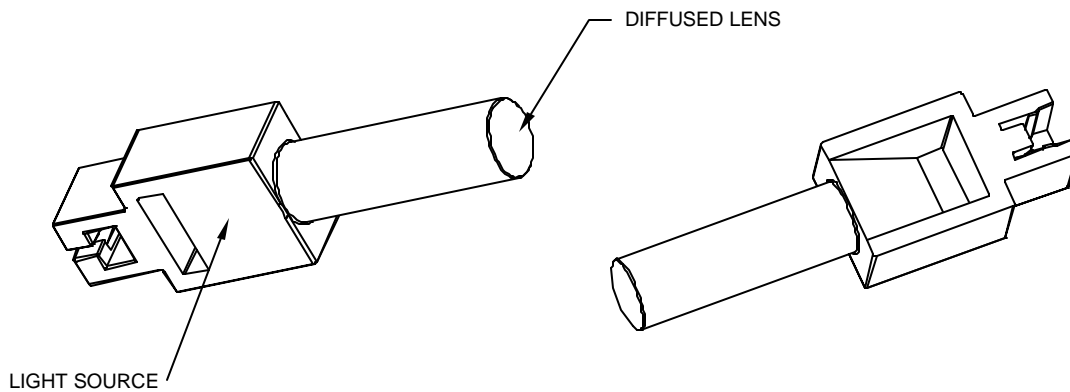
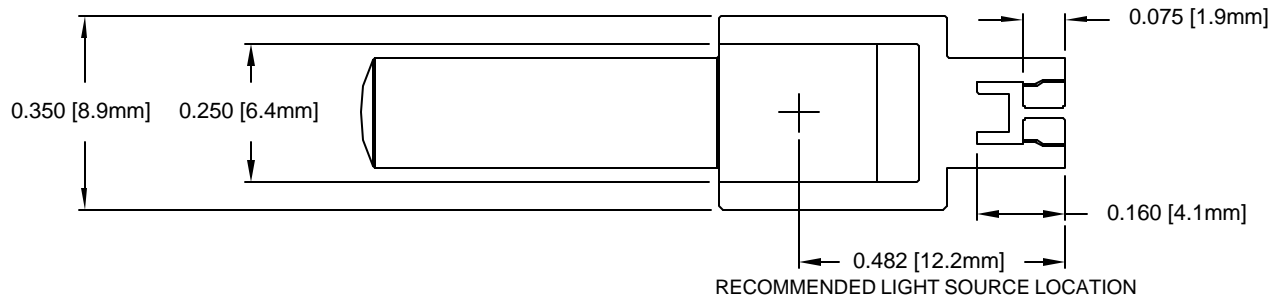
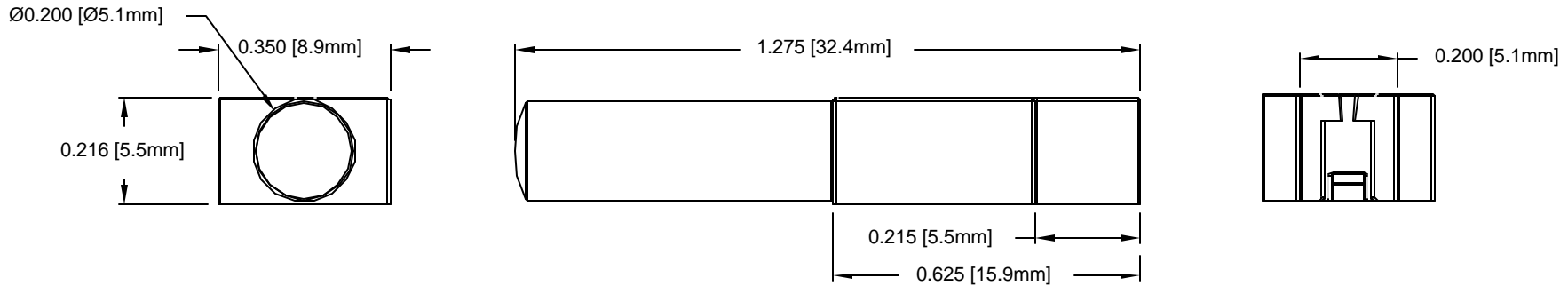

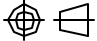


REV.	DESCRIPTION	DATE	APPROVED
D	Engineering Release	07/29/04	M. C.



- MATERIAL: POLYCARBONATE, 94V-0, CLEAR. BIVAR MATERIAL CODE 47-CR. SAM YANG CORPORATION POLYCARBONATE 3025N2 CLEAR.
- GENERAL SPECIFICATIONS: BIVAR MOLDED COMPONENT SPECIFICATION BV00-E101.

STANDARD TOLERANCE (UNLESS OTHERWISE SPECIFIED)		 4 THOMAS, IRVINE, CA. 92618 TEL: (949) 951-8808 FAX: (949) 951-3974				
DECIMALS	ANGULAR					
.X ±.1	X° ± 1°		TITLE: CUSTOM PUSH BUTTON LIGHT PIPE			
.XX ±.01			DESIGNED: Ty Yin	DATE: 02/18/04	PART NO: PBLP-1001	REVISION: D
.XXX ±.005			CHECKED: M. Chen	DATE: 02/20/04	CAGE CODE : 32559	SHEET # 1 OF 1

CAD GENERATED DOCUMENT. DO NOT MEASURE DRAWING.