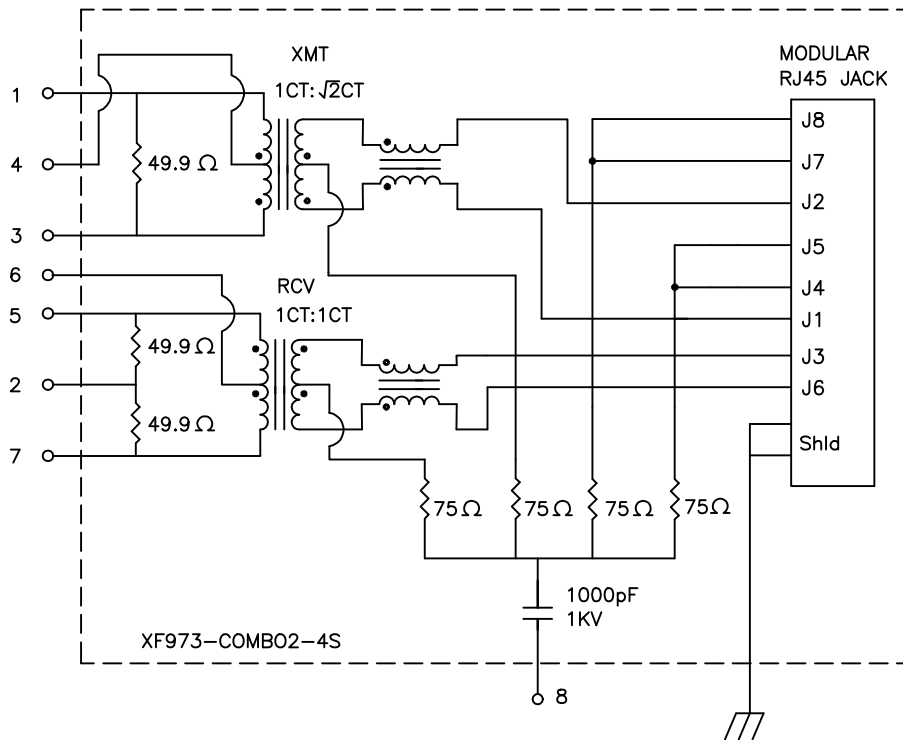


## Schematic:



## Electrical Specifications: @25°C

ISOLATION: 1500 Vrms (Input to Output)

ISOLATION: 500 Vrms (P1+4+3 - P5+6+2+7)

TURN RATIO: 1CT:1CT±5% (RCV)

TURN RATIO: 1CT:√2CT±5% (XMT)

CABLE SIDE OCL: 350uH Minimum @100KHz 100mV 8mADC

Cw/w: 27pF Typical @100KHz 100mV

RX RETURN LOSS: @30MHz -20dB Typ

@80MHz -15dB Typ

INSERTION LOSS (0.3-100MHz): -1.0dB Maximum

### Note:

1. Solderability: Leads shall meet MIL-STD-202, Method 208D for solderability.
2. Flammability: UL94V-0,
3. ASTM oxygen index: > 28% ,
4. Temperature rating: 155°C. UL file E151556,
5. Operating Temperature Range: -40°C to +85°C

**XFMRs Inc.**

Title: **TWO PORTS COMBO**

UNLESS OTHERWISE SPECIFIED

P/N: XF973-COMBO2-4S

REV. A

TOLERANCES:

DWN.

廖玉坤

May-6-02

.xxx ±0.010

CHK.

李清儿

May-6-02

Dimensions in Inch

APP.

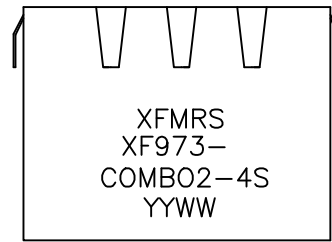
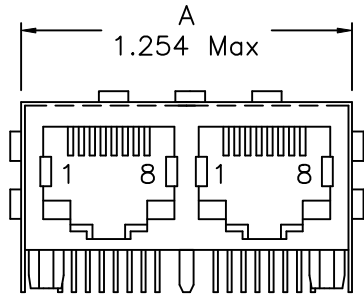
BW

May-6-02

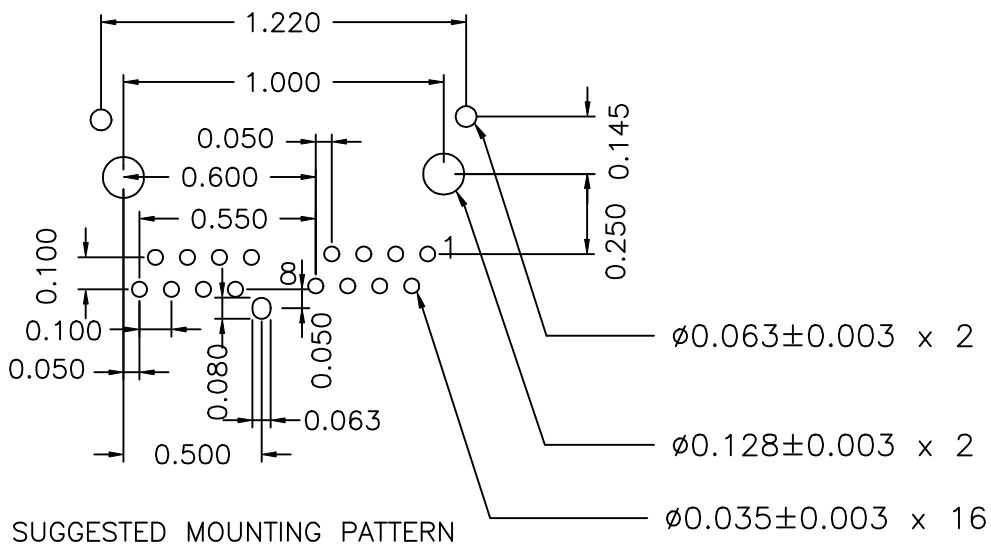
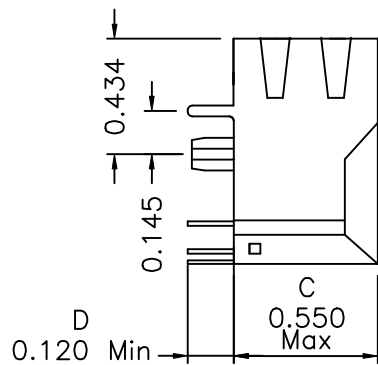
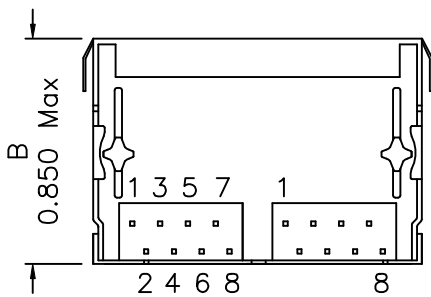
DOC. REV: A/1

SHEET 1 OF 2

# Mechanical Dimensions: (FOR COMB02-4S)



TOP VIEW



XFMRS Inc.	Title: Mechanical Dimensions For COMB02-4S Series		
	UNLESS OTHERWISE SPECIFIED TOLERANCES: .xxx ±0.010 Dimensions in Inch	P/N: XF973-COMB02-4S	REV. A
DOC REV: A/1 SHEET 2 OF 2	DWN.	李小锋	May-6-02
	CHK.	廖玉坤	May-6-02
	APP.	BW	May-6-02