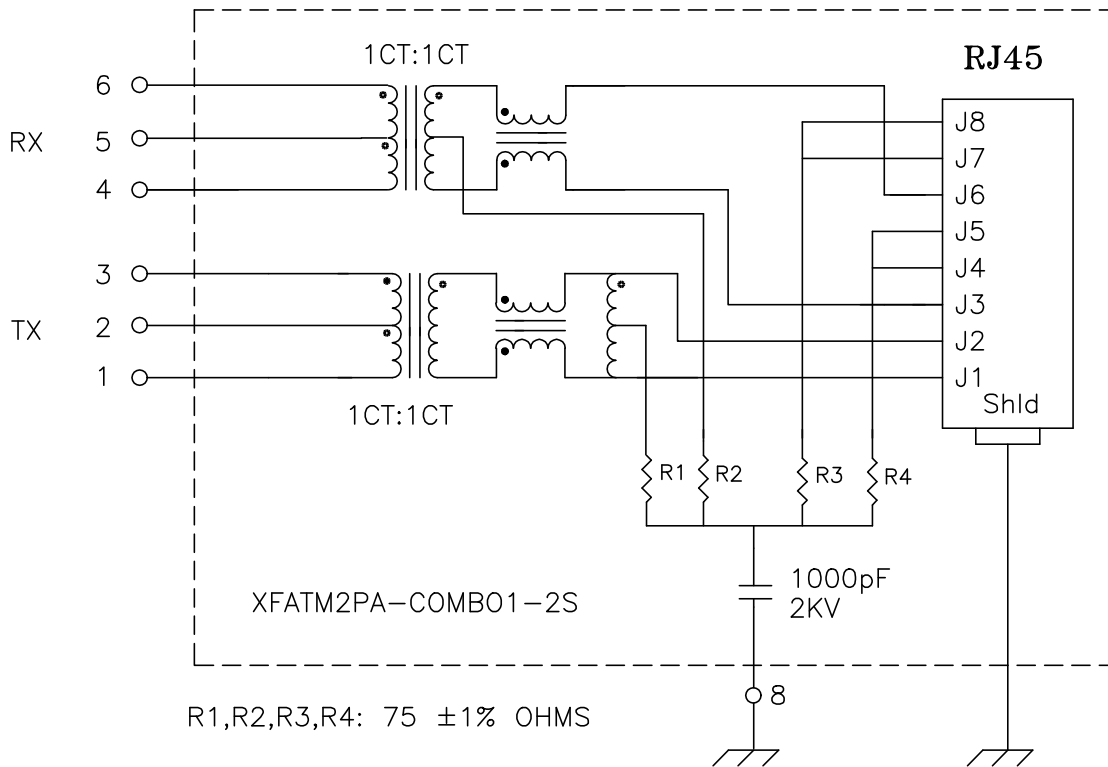


Schematic:



Electrical Specifications: @25°C

Isolation Voltage: 1500 Vac (J1+J2 to P1+P3), (J3+J6 to P4+P6)

Isolation Voltage: 500 Vac (1+2+3 to 4+5+6)

OCL: P6-P4, 350uH Min @100KHz 100mV 8mADC

OCL: P3-P1, 350uH Min @100KHz 100mV 8mADC

DCR: J6-J3 = J2-J1, 1.20 Ohms Max

Interwinding Capacitance: 30pF Max (P6,P5,P4 to J6,J3)

Interwinding Capacitance: 30pF Max (P3,P2,P1 to J2,J1)

Rise Time (10-90%): 3.0ns Max

Insertion Loss (300KHz-100MHz): -1.1dB Maximum

Insertion Loss (100MHz-125MHz): -1.5dB Maximum

Return Loss: -12dB Typical @1MHz - 80MHz

Crosstalk:

1MHz-100MHz -40dB Typical

Common Mode to Differential Mode Rejection:

30MHz-100MHz -35dB Typ (Tx) / -35dB Typ (Rx)

XFMRs Inc.

Title: **SINGLE PORT COMBO**

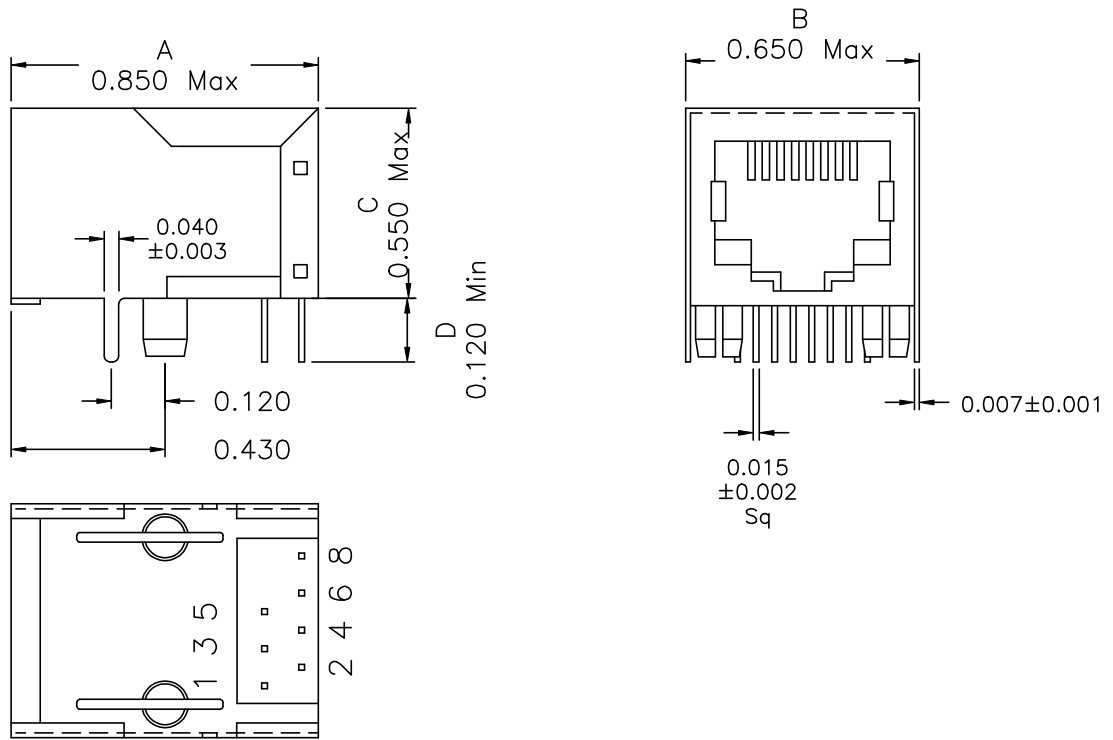
UNLESS OTHERWISE SPECIFIED
TOLERANCES:
.xxx ±0.010
Dimensions in Inch
SHEET 1 OF 2

P/N: XFATM2PA-COMBO1-2S		REV. A
DWN.	廖玉坤	Jul-31-01
CHK.	李清儿	Jul-31-01
APP.	Joe Huff	Jul-31-01

DOC. REV: A/1

Mechanical Dimensions:

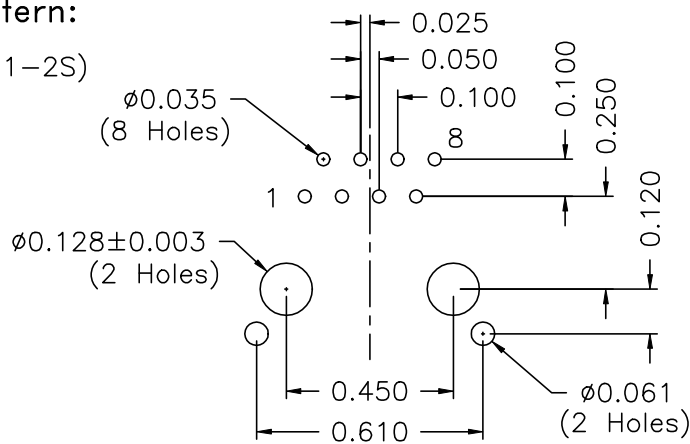
XFMR5
 XFATM2PA-
 COMBO1-2S
 YYWW



(BOTTOM VIEW)

Mounting Pattern:

(FOR COMBO1-2S)
(COMP SIDE)



DOC. REV: A/1

XFMR5 Inc.		Title: Mechanical Dimensions For COMBO1-2S Series	
UNLESS OTHERWISE SPECIFIED TOLERANCES: .xxx ±0.010 Dimensions in Inch	P/N: XFATM2PA-COMBO1-2S	REV.A	
	DWN.	廖玉坤	Jul-31-01
	CHK.	李清儿	Jul-31-01
SHEET 2 OF 2	APP.	Joe Huff	Jul-31-01