

PLEASE CHECK WWW.MOLEX.COM FOR LATEST PART INFORMATION

Part Number: [0010051047](#)
Status: **Active**
Overview: [kk](#)
Description: 5.08mm (.200") Pitch PC Board Connector, Top Entry, 4 Circuits

Documents:

3D Model	Product Specification PS-2767-012 (PDF)
Drawing (PDF)	RoHS Certificate of Compliance (PDF)
Product Specification PS-2767-004 (PDF)	

Agency Certification

CSA	LR19980
UL	E29179

General

Product Family	PCB Receptacles
Series	2767
Application	Board-to-Board
Overview	kk
Product Name	KK®

Physical

Circuits (Loaded)	4
Flammability	94V-2
Glow-Wire Compliant	No
Material - Metal	Brass
Material - Plating Mating	Tin-Lead
Material - Plating Termination	Tin
Number of Rows	1
Orientation	Vertical
PC Tail Length (in)	0.126 In
PC Tail Length (mm)	3.20 mm
PCB Locator	No
PCB Retention	None
PCB Thickness Recommended (in)	0.062 In
PCB Thickness Recommended (mm)	1.60 mm
Packaging Type	Bag
Pitch - Mating Interface (in)	0.200 In
Pitch - Mating Interface (mm)	5.08 mm
Plating min: Mating (µin)	35
Plating min: Mating (µm)	0.88
Plating min: Termination (µin)	35
Plating min: Termination (µm)	0.88
Polarized to PCB	No
Temperature Range - Operating	-40°C to +105°C
Termination Interface: Style	Through Hole

Electrical

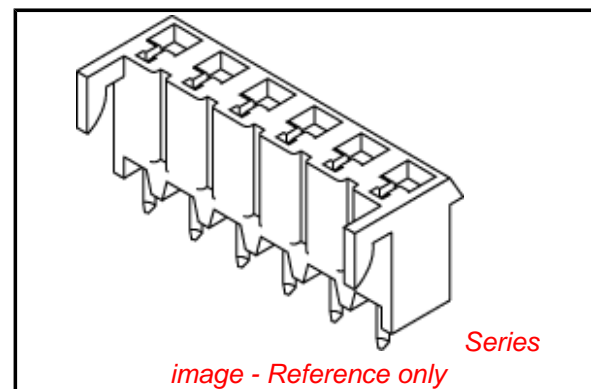
Current - Maximum per Contact	7A
Voltage - Maximum	250V

Material Info

Old Part Number	2767-4CH
-----------------	----------

Reference - Drawing Numbers

Product Specification	PS-2767-004, PS-2767-012
Sales Drawing	SD-2767-004



EU RoHS

**ELV and RoHS
Compliant**
**REACH SVHC
Contains SVHC: No**
**Halogen-Free
Status
Not Reviewed**

China RoHS



**Need more information on product
environmental compliance?**

Email productcompliance@molex.com
 For a multiple part number RoHS Certificate of
 Compliance, [click here](#)

Please visit the [Contact Us](#) section for any
 non-product compliance questions.

Search Parts in this Series

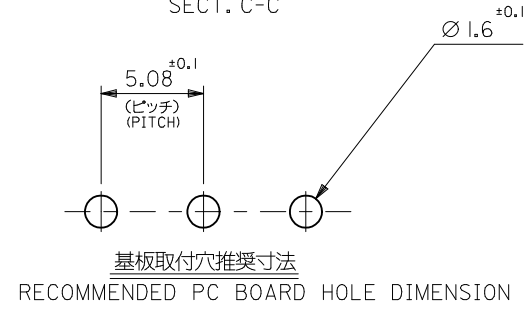
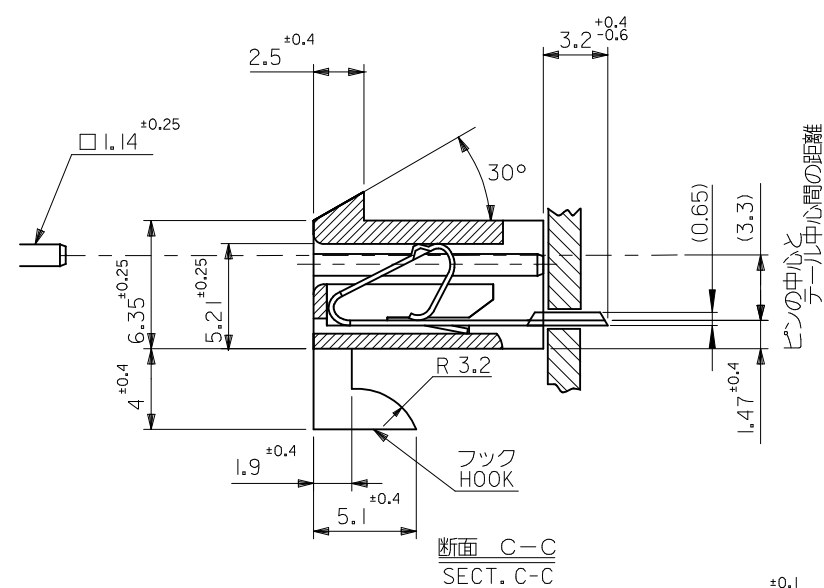
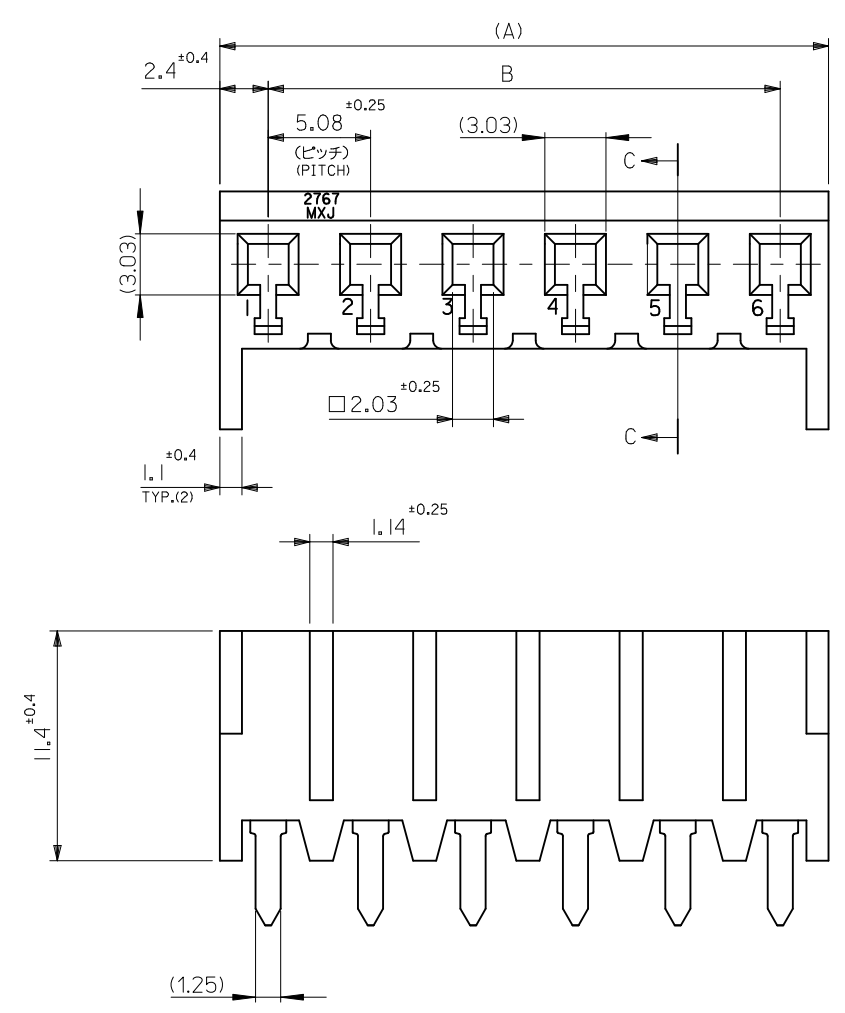
[2767Series](#)

Mates With

[5279na](#)

This document was generated on 06/07/2010

PLEASE CHECK WWW.MOLEX.COM FOR LATEST PART INFORMATION



ピンの中心と
テール中心間の距離
DIMENSION FROM
CENTER OF PIN TO CENTER OF TAIL

- 注記 NOTES**
- 材質 MATERIAL
ハウジング : NYLON66 , 94V-2
HOUSING : NYLON66 , 94V-2
ターミナル : 黄銅、銅下付錫メッキ
TERMINAL : BRASS, TIN OVER COPPER PLATING
 - ()内寸法は参考値
() DIMENSION IS FOR REFERENCE

25.4 ^{+0.2}	30.2	10-05-1067	2767-6CH	6
20.32 ^{+0.2}	25.12	10-05-1057	2767-5CH	5
15.24 ^{+0.15}	20.04	10-05-1047	2767-4CH	4
10.16 ^{+0.15}	14.96	10-05-1037	2767-3CH	3
B	(A)	EDP.No.	ENG.No.	NO. OF CKTS

REVISED EC NO: J2010-2152 DRW:RTSURIJOKA 2010/05/26 CHKD:THARUYAMA 2010/06/01 APPR:HIRATA 2010/06/04	GENERAL TOLERANCES (UNLESS SPECIFIED)		DIMENSION STYLE MM ONLY		SCALE 4:1	DESIGN UNITS METRIC	THIRD ANGLE PROJECTION	
	10 UNDER	± ---	DRAWN BY H. IJIMA	DATE 1996/05/23	TITLE KK5.08 REC HSG ASSY			
	10 OVER 30 UNDER	± ---	CHECKED BY M. FUKUSHIMA	DATE 1996/05/23	MOLEX INCORPORATED DOCUMENT NO. SD-2767-004 SHEET NO. 1 OF 1			
	30 OVER	± ---	APPROVED BY MEMOMOTO	DATE 1996/05/23				
ANGULAR ± --- °		DRAFT WHERE APPLICABLE MUST REMAIN WITHIN DIMENSIONS		MATERIAL NO. SEE CHART		SHEET NO. 1 OF 1		
				THIS DRAWING CONTAINS INFORMATION THAT IS PROPRIETARY TO MOLEX INCORPORATED AND SHOULD NOT BE USED WITHOUT WRITTEN PERMISSION				