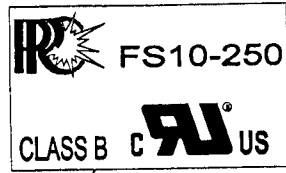


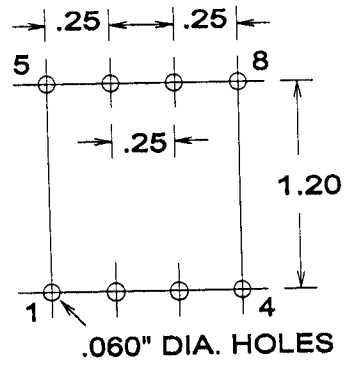
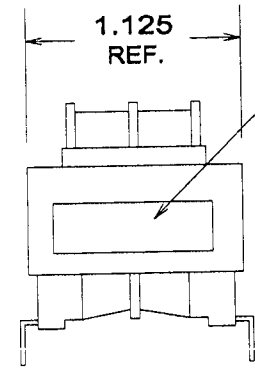
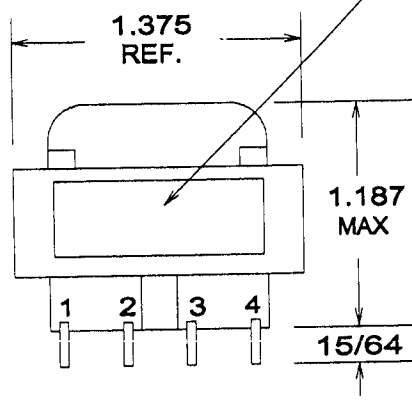
TOLERANCE UNLESS SPECIFIED = .XXX = +/- .005 .XX = +/- .015 FRACTIONS = +/- .032

FS10-250.DC2

YYWW = YEAR, WEEK  
XXX = SITECODE



EIA-17-YYWW  
XXX B10



### PRODUCTION TESTS

TURNS RATIO = 100%	
DC RESISTANCE IN OHMS	(1-2) 675 TO 815
	(3-4) 825 TO 970
	(5-6) 1.7 TO 2.3
	(7-8) 2.1 TO 2.9
MAX EXCITATION CURRENT = .010	
APPLY = 230V, 60Hz PINS 1-4	
CONNECT PINS 2-3	
OPEN CIRCUIT VOLTAGE TEST:	
APPLY 230V/60HZ PINS 1-4, CON. 2-3	
READ 6.0 TO 6.4 EACH SECONDARY	
HIPOT = 2500V P-S, P-C, S-C	
500V S-S, P-P	
CONTINUITY = 100% PRIMARY	
IMPREGNATION NOTES = 2 HOUR PREHEAT	
PINS MUST BE FREE OF IMPREG.	

### FINAL ASSEMBLY NOTES

METHOD

1 X 1

MARKING

SEE LABEL DETAIL ABOVE



PART NO.: FS10-250