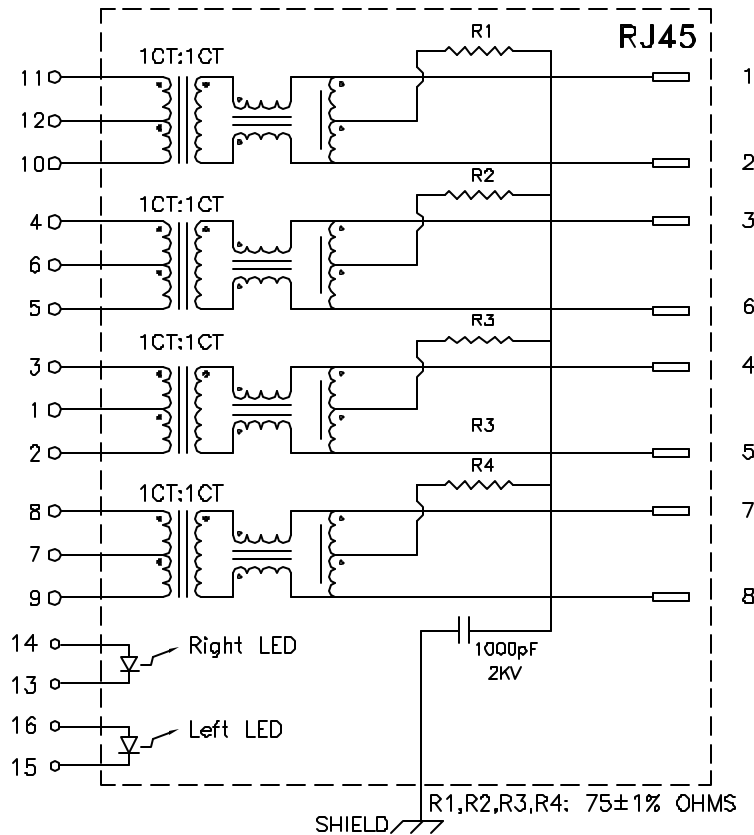


## Schematic:



## Electrical Specifications: @25°C

Isolation Voltage: 1500 Vrms @60Hz 1MIN

Common to Differential Mode Rejection: @300KHz-100MHz -35dB Min

Common to Common Mode Rejection: @300KHz-100MHz -30dB Min

Crosstalk:  $-33+20\log(f/100\text{MHz})$  (1-100MHz -73dB -33dB Min)

Insertion Loss @0.3-100MHz -1.0dB Typ

@100MHz-125MHz -1.5dB Max

Return Loss: @0.5MHz-40MHz -18dB Min

@40MHz-100MHz  $-12+20\log(f/80\text{MHz})$  Min

Complete the Combo P/N as follows:

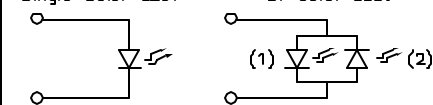
Replace 'x' & 'u' in the part number with one of the LED color letters:

Y=Yellow      'x' = Left LED Color  
G=Green        'u' = Right LED Color  
A=Amber  
R=Red

C=Green(1)/Amber(2) Bicolor  
D=Amber(1)/Green(2) Bicolor  
M=Green(1)/Yellow(2) Bicolor  
N=Yellow(1)/Green(2) Bicolor  
P=Red(1)/Green(2) Bicolor  
Q=Green(1)/Red(2) Bicolor

Single Color LED:

BI-Color LED:



Notes:

1. Solderability: Leads shall meet MIL-STD-202G, Method 208H for solderability.
2. Flammability: UL94V-0
3. ASTM oxygen index: > 28%
4. Insulation System: Class F 155°C, UL file E151558
5. Operating Temperature Range: All listed parameters are to be within tolerance from -40°C to +85°C
6. Storage Temperature Range: -55°C to +125°C
7. Aqueous wash compatible
8. Electrical and mechanical specifications 100% tested
9. RoHS Compliant Component

DOC REV: A/11

**XFMRs Inc.**  
www.XFMRs.com

Title: **Low Profile Gigabit COMBO**

UNLESS OTHERWISE SPECIFIED  
TOLERANCES:  
.xxx ±0.010  
Dimensions in Inch

P/N: XFGIG12-CTLxu1-4

REV. A

DWN.

Juan Mao

Feb-12-08

CHK.

YK Liao

Feb-12-08

APP.

Joe Huff

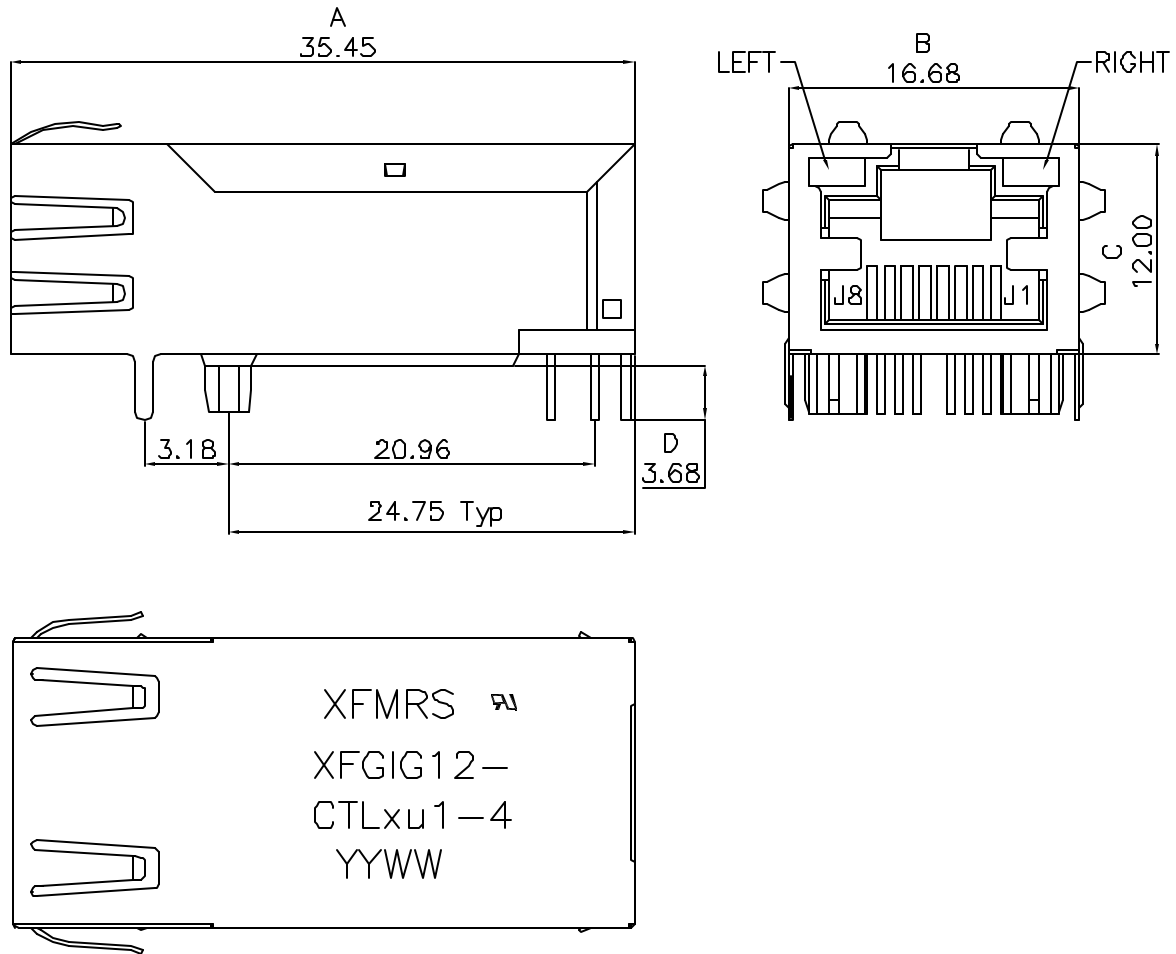
Feb-12-08

**PROPRIETARY:**

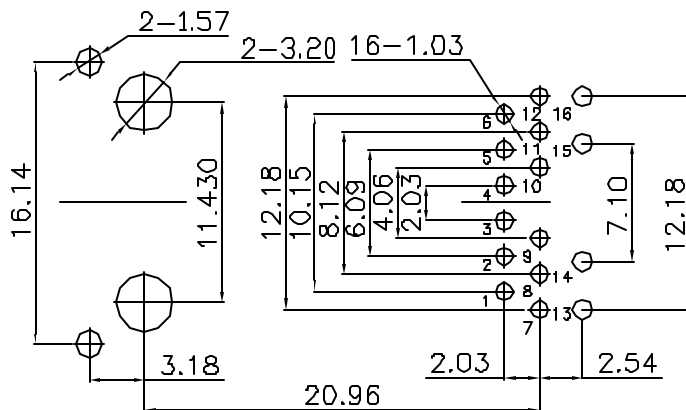
Document is the property of XFMRs Group & is not allowed to be duplicated without authorization.

SHEET 1 OF 2

**Mechanical Dimensions:**



**Mounting Pattern:**



DOC REV: A/11

<p><b>XFMRS Inc.</b> www.XFMRS.com</p>	<p>Title: Mechanical Dimensions For TAB UP RJ45 COMBO</p>		
	<p>UNLESS OTHERWISE SPECIFIED TOLERANCES: .xx ±0.25 Dimensions in MM</p>	<p>P/N: XFGIG12-CTLxu1-4</p>	<p>REV. A</p>
<p>SHEET 2 OF 2</p>	<p>DWN.</p>	<p>Juan Mao</p>	<p>Feb-12-08</p>
	<p>CHK.</p>	<p>YK Liao</p>	<p>Feb-12-08</p>
	<p>APP.</p>	<p>Joe Huff</p>	<p>Feb-12-08</p>

**PROPRIETARY:**

Document is the property of XFMRS Group & is not allowed to be duplicated without authorization.