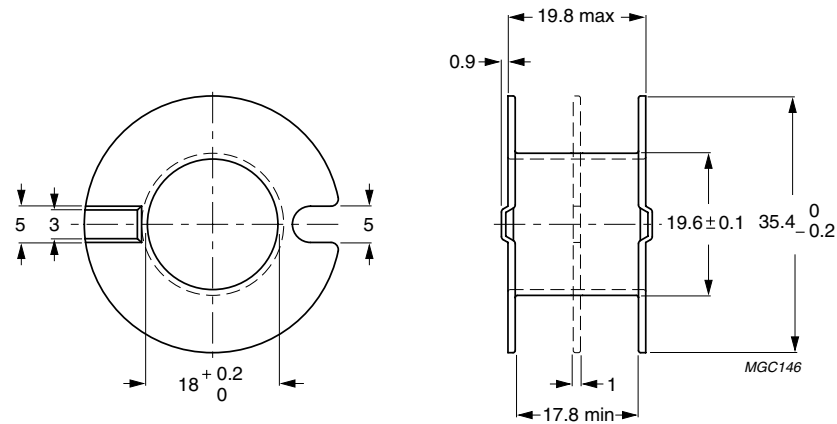


**COIL FORMERS**

**General data CP-P42/29 coil former**

PARAMETER	SPECIFICATION
Coil former material	polycarbonate (PC), glass reinforced, flame retardant in accordance with "UL 94V-2"; UL file number E41613(M)
Maximum operating temperature	115 C



Dimensions in mm.

Fig.2 Coil former: CP-P42/29.

**Winding data for CP-P42/29 coil former**

NUMBER OF SECTIONS	WINDING AREA (mm <sup>2</sup> )	MINIMUM WINDING WIDTH (mm)	AVERAGE LENGTH OF TURN (mm)	TYPE NUMBER
1	140	17.7	86	CP-P42/29-1S
2	2 63	2 8	86	CP-P42/29-2S