

PLEASE CHECK WWW.MOLEX.COM FOR LATEST PART INFORMATION

Part Number: [0039303031](#)
Status: **Active**
Overview: [minifit_jr](#)
Description: 4.20mm (.165") Pitch Mini-Fit Jr.™ Header, Single Row, Right Angle, with PCB Mounting Flanges, 3 Circuits, PA Polyamide Nylon 6/6, 94V-2, Tin (Sn) Plating

Documents:

[3D Model](#) [Product Specification PS-5556-001 \(PDF\)](#)
[Drawing \(PDF\)](#) [RoHS Certificate of Compliance \(PDF\)](#)

Agency Certification

CSA	LR19980
TUV	R72081037
UL	E29179

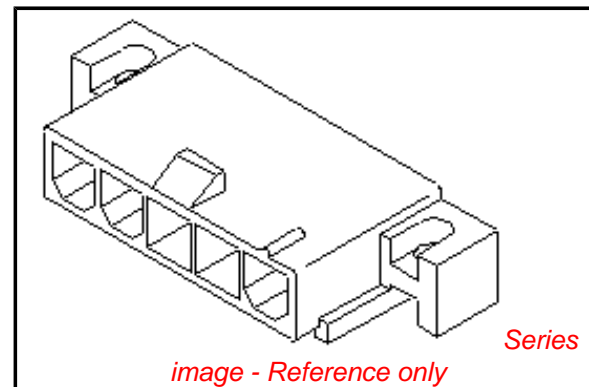
General

Product Family	PCB Headers
Series	5569
Application	Wire-to-Board
Comments	Current = 13A max. per circuit when header is mated to a receptacle loaded with 45750 Mini-Fit Plus HCS™ Crimp Terminal Crimped to to 16 AWG wire. . See Molex Product specification PS-5556-001 for additional current de-rating information.

Overview	minifit_jr
Product Name	Mini-Fit Jr.™

Physical

Breakaway	No
Circuits (Loaded)	3
Circuits (maximum)	3
Circuits Detail	3
Color - Resin	Natural
Durability (mating cycles max)	30
First Mate / Last Break	No
Flammability	94V-2
Glow-Wire Compliant	No
Guide to Mating Part	No
Keying to Mating Part	None
Lock to Mating Part	Yes
Material - Metal	Brass
Material - Plating Mating	Tin
Material - Plating Termination	Tin
Material - Resin	Nylon
Number of Rows	1
Orientation	Right Angle
PCB Locator	Yes
PCB Retention	Yes
PCB Thickness Recommended (in)	0.070 In
PCB Thickness Recommended (mm)	1.78 mm
Packaging Type	Bag
Pitch - Mating Interface (in)	0.165 In
Pitch - Mating Interface (mm)	4.20 mm
Pitch - Term. Interface (in)	0.165 In
Pitch - Term. Interface (mm)	4.20 mm
Plating min: Mating (µin)	200



EU RoHS

ELV and RoHS Compliant
REACH SVHC Contains SVHC: No
Halogen-Free Status

China RoHS



Halogen-Free

Need more information on product environmental compliance?

Email productcompliance@molex.com
 For a multiple part number RoHS Certificate of Compliance, [click here](#)

Please visit the [Contact Us](#) section for any non-product compliance questions.

Search Parts in this Series

[5569Series](#)

Mates With

[39-01-4030 Receptacle](#)

Plating min: Mating (µm)	5.08
Plating min: Termination (µin)	200
Plating min: Termination (µm)	5.08
Polarized to Mating Part	Yes
Polarized to PCB	Yes
Shrouded	Fully
Stackable	No
Surface Mount Compatible (SMC)	No
Temperature Range - Operating	-40°C to +105°C
Termination Interface: Style	Through Hole

Electrical

Current - Maximum per Contact	13A
Voltage - Maximum	600V

Solder Process Data

Duration at Max. Process Temperature (seconds)	5
Lead-free Process Capability	Wave Capable (TH only)
Max. Cycles at Max. Process Temperature	1
Process Temperature max. C	240

Material Info

Old Part Number	5569-03A3
-----------------	-----------

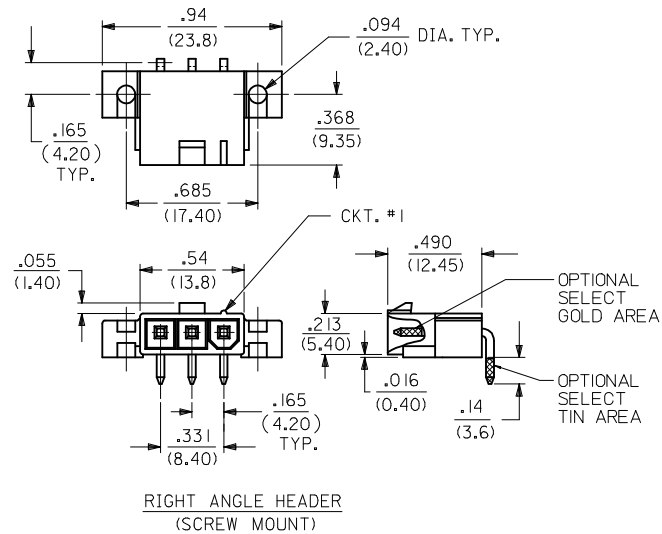
Reference - Drawing Numbers

Packaging Specification	PK-5569-002
Product Specification	PS-5556-001
Sales Drawing	SDA-5569-03A**
Test Summary	TS-5556-002

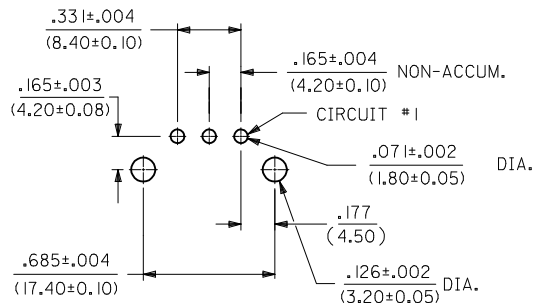
This document was generated on 05/21/2010

PLEASE CHECK WWW.MOLEX.COM FOR LATEST PART INFORMATION

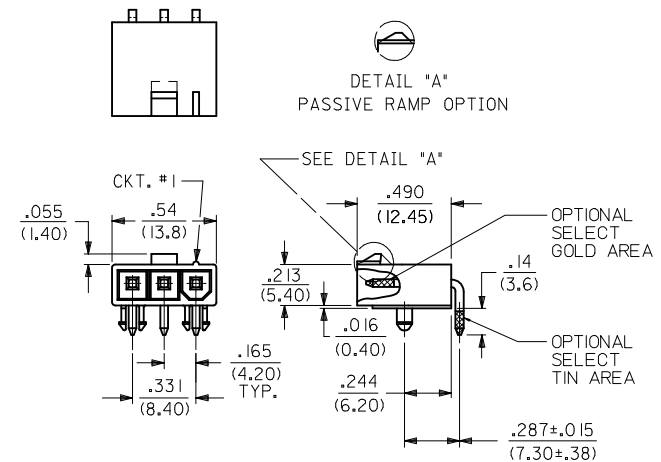
PART NUMBER	ENGINEERING NUMBER	MOUNT OPTION	PLATING	MAT'L.
39-31-1032	5569-03A4-BL	4	BLANK	BL
39-30-3031	5569-03A3	3	BLANK	BLANK
39-30-4039	5569-03A3GS2	3	15 GOLD	
39-30-4037	5569-03A3GS	3	30 GOLD	
39-30-4035	5569-03A3G2	3	15 GOLD	
39-30-3033	5569-03A3G	3	30 GOLD	
39-30-3035	5569-03A4	4	BLANK	
39-30-4033	5569-03A4GS2	4	15 GOLD	
39-30-4031	5569-03A4GS	4	30 GOLD	
39-30-3039	5569-03A4G2	4	15 GOLD	
39-30-3037	5569-03A4G	4	30 GOLD	
39-30-6039	5569-03A3S	3	TIN/NICKEL	
39-30-7031	5569-03A4S	4	TIN/NICKEL	BLANK
39-30-3032	5569-03A3-210	3	BLANK	210
39-30-5030	5569-03A3GS2-210	3	15 GOLD	
39-30-4038	5569-03A3GS-210	3	30 GOLD	
39-30-4036	5569-03A3G2-210	3	15 GOLD	
39-30-3034	5569-03A3G-210	3	30 GOLD	
39-30-3036	5569-03A4-210	4	BLANK	
39-30-4034	5569-03A4GS2-210	4	15 GOLD	
39-30-4032	5569-03A4GS-210	4	30 GOLD	
39-30-4030	5569-03A4G2-210	4	15 GOLD	
39-30-3038	5569-03A4G-210	4	30 GOLD	
39-30-7030	5569-03A3S-210	3	TIN/NICKEL	
39-30-7032	5569-03A4S-210	4	TIN/NICKEL	
50-34-8577	5569-03A4MS-210	4	MATTE TIN	210
NO E.D.P.	5569-03A5	5	BLANK	BLANK
NO E.D.P.	5569-03A5GS2	5	15 GOLD	
NO E.D.P.	5569-03A5GS	5	30 GOLD	
NO E.D.P.	5569-03A5G2	5	15 GOLD	
NO E.D.P.	5569-03A5G	5	30 GOLD	
NO E.D.P.	5569-03A5S	5	TIN/NICKEL	BLANK
NO E.D.P.	5569-03A5-210	5	BLANK	210
NO E.D.P.	5569-03A5GS2-210	5	15 GOLD	
NO E.D.P.	5569-03A5GS-210	5	30 GOLD	
NO E.D.P.	5569-03A5G2-210	5	15 GOLD	
NO E.D.P.	5569-03A5G-210	5	30 GOLD	
39-34-3037	5569-03A5S-210	5	TIN/NICKEL	210



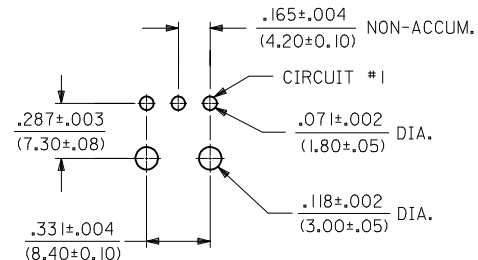
RIGHT ANGLE HEADER
(SCREW MOUNT)



RECOMMENDED HOLE LAYOUT FOR
.070/(1.78) MAX. THICK P.C. BOARD
VIEWED FROM COMPONENT SIDE



RIGHT ANGLE HEADER
(PEG MOUNT)



RECOMMENDED HOLE LAYOUT FOR
.070/(1.78) MAX. THICK P.C. BOARD
VIEWED FROM COMPONENT SIDE

NOTES:

- HOUSING MATERIAL:
"BLANK" = NYLON 6/6, U.L. 94V-2, COLOR: NATURAL.
210 = NYLON 6/6, U.L. 94V-0, COLOR: NATURAL.
BL = NYLON 6/6, U.L. 94V-2, COLOR: BLACK.

- PART MATES WITH MOLEX RECEPTACLE #5557.

- TERMINAL MATERIAL: BRASS, ALLOY

- TERMINAL PLATING:

"BLANK" - .000200/(.00508) MIN. BRIGHT TIN OVER .00100/(.00254) MIN. COPPER OVERALL.

G - .000030/(.00076) MIN. GOLD OVER .000050/(.00127) MIN. NICKEL OVERALL.

G2 - .000015/(.00038) MIN. GOLD OVER .000030/(.00076) MIN. NICKEL OVERALL.

S - .000100/(.00254) MIN. BRIGHT TIN OVER .000050/(.00127) MIN. NICKEL.

MS - .000100/(.00254) MIN. MATTE TIN OVER .000050/(.00127) MIN. NICKEL

*GS - .000030/(.00076) MIN. SELECT GOLD, .000100/(.00254) MIN. SELECT MATTE TIN OVER .000050/(.00127) MIN. NICKEL OVERALL.

*GS2 - .000015/(.00038) MIN. SELECT GOLD, .000100/(.00254) MIN. SELECT MATTE TIN OVER .000050/(.00127) MIN. NICKEL OVERALL.

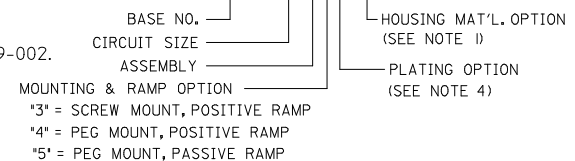
*THE PRIMARY SHIPPING CARTON WILL BE LABELED "COMPLIANT TO RoHS DIRECTIVE 2002/95/EC AND ELV ANNEX II OF DIRECTIVE 2000/53/EC." CARTONS WITHOUT THIS LABEL MAY CONTAIN PRODUCT WITH TIN-LEAD PLATING.

- PRODUCT SPECIFICATION AND PROCESSING PARAMETERS: SEE PS-5556-001

- PART IS DESIGNED FOR USE WITH 4 - 40 OR M3 SCREWS.
- DISCOLORATION IN THE BANDOLIERS CARRIER AREA OF THE PIN IS INHERENT TO THE PLATING PROCESS AND IS DUE TO THE MASKING EFFECT OF THE CARRIER. THIS DISCOLORATION IS IN A NON-FUNCTIONAL AREA OF THE PIN AND WILL NOT AFFECT THE PERFORMANCE OF THE HEADER ASSEMBLY.
- CONNECTORS ARE NOT BE MATED OR UNMATED WHILE CIRCUITS ARE LIVE.
- PARTS ARE NOT DESIGNED FOR CURRENT SHARING.
- PART CONFORMS TO CLASS "B" REQUIREMENTS OF COSMETIC SPECIFICATION PS-45499-002.

LEGEND

5569-03A***



ADDED 50348577 EC NO: UCP2009-1190 DRAWN: JLOSTHEIMER 2008/11/11 CHKD: JIBELL 2008/11/13 APPR: FSM/TH 2008/11/14	QUALITY SYMBOLS ▽=0 ▽=0	GENERAL TOLERANCES (UNLESS SPECIFIED)	DIMENSION STYLE IN/MM	SCALE 1:1	DESIGN UNITS METRIC	THIRD ANGLE PROJECTION
		4 PLACES ± --- ± --- 3 PLACES ± --- ± .010 2 PLACES ± 0.25 ± .015 1 PLACE ± 0.38 ± --- ANGULAR ± 3 °	DRAWN BY GEP DATE 9/20/90	CHECKED BY R/JF DATE 9/20/90	TITLE RIGHT ANGLE HEADER ASSY, 3 CKT., SINGLE ROW, MINI-FIT JR. SERIES	MATERIAL NO. SEE CHART
DRAFT WHERE APPLICABLE MUST REMAIN WITHIN DIMENSIONS		THIS DRAWING CONTAINS INFORMATION THAT IS PROPRIETARY TO MOLEX INCORPORATED AND SHOULD NOT BE USED WITHOUT WRITTEN PERMISSION				