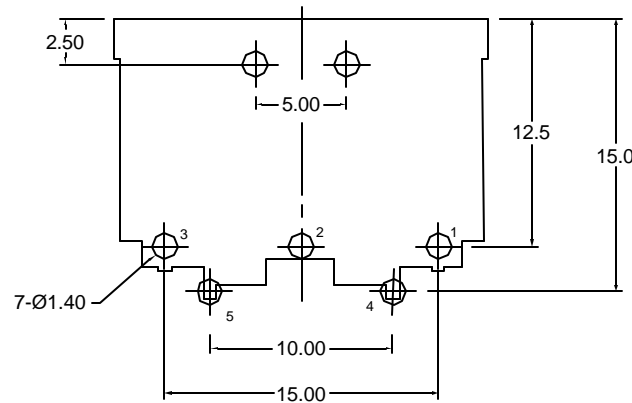


PCB LAYOUT
(Bottom View)



Materials and Finish

Material-PBT Thermoplastic
UL94V-0 Rated
Color: black
Contact-Brass, Tin Plated
Shield : Brass, Nickel plated

Mechanical Characteristics

Insertion Force
0.5kg - 4.5kg

Withdrawal Force
0.5kg - 4.5kg

Durability
5000 cycles

Electrical Characteristics

Rated Current: 2.0 AMP DC

Rated Voltage: 24.0V DC

Insulation Resistance
100 Megohms min. at 500V DC

Contact Resistance
Before Test : 50 Milliohms max.
After Test: 100 Milliohms max.

Dielectric Withstanding Voltage
500V AC for 1 minute

Operating Temperature
-25°C to 85°C



Tolerances	
X.X	± 0.25
X.XX	± 0.15
Unless Stated Otherwise	

REV.	DATE	DESCRIPTION	REV. BY	CHK. BY	DRAWN BY	DATE
A0	2/2/06	New Drawing	R. Aguirre	H. MA	R. Aguirre	01/30/06
A1	3/21/06	Add 2 holes	R. Aguirre	H. MA		
A2	4/11/06	Release Drawing	H. MA	N/A		

KCDX-5S-S2

5 pos. Circular Din ,RoHS Compliant

Shielded, 5mm Pitch

