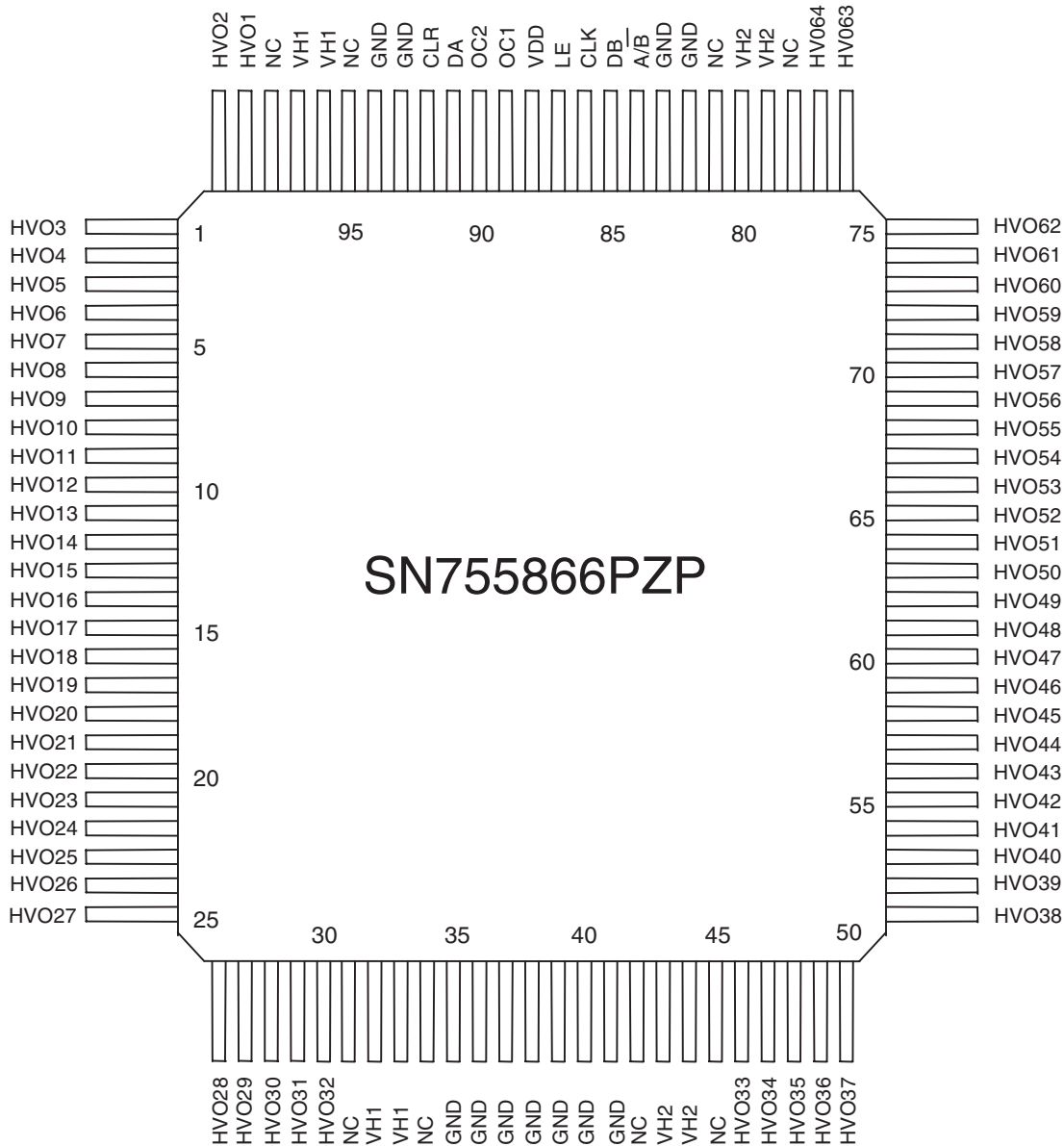


**SN755866PZP (43 SCAN A ASSY : IC3001 - IC3006)
 (43 SCAN B ASSY : IC3201 - IC3206)**

www.DataSheet4U.com

• Mod Ucom

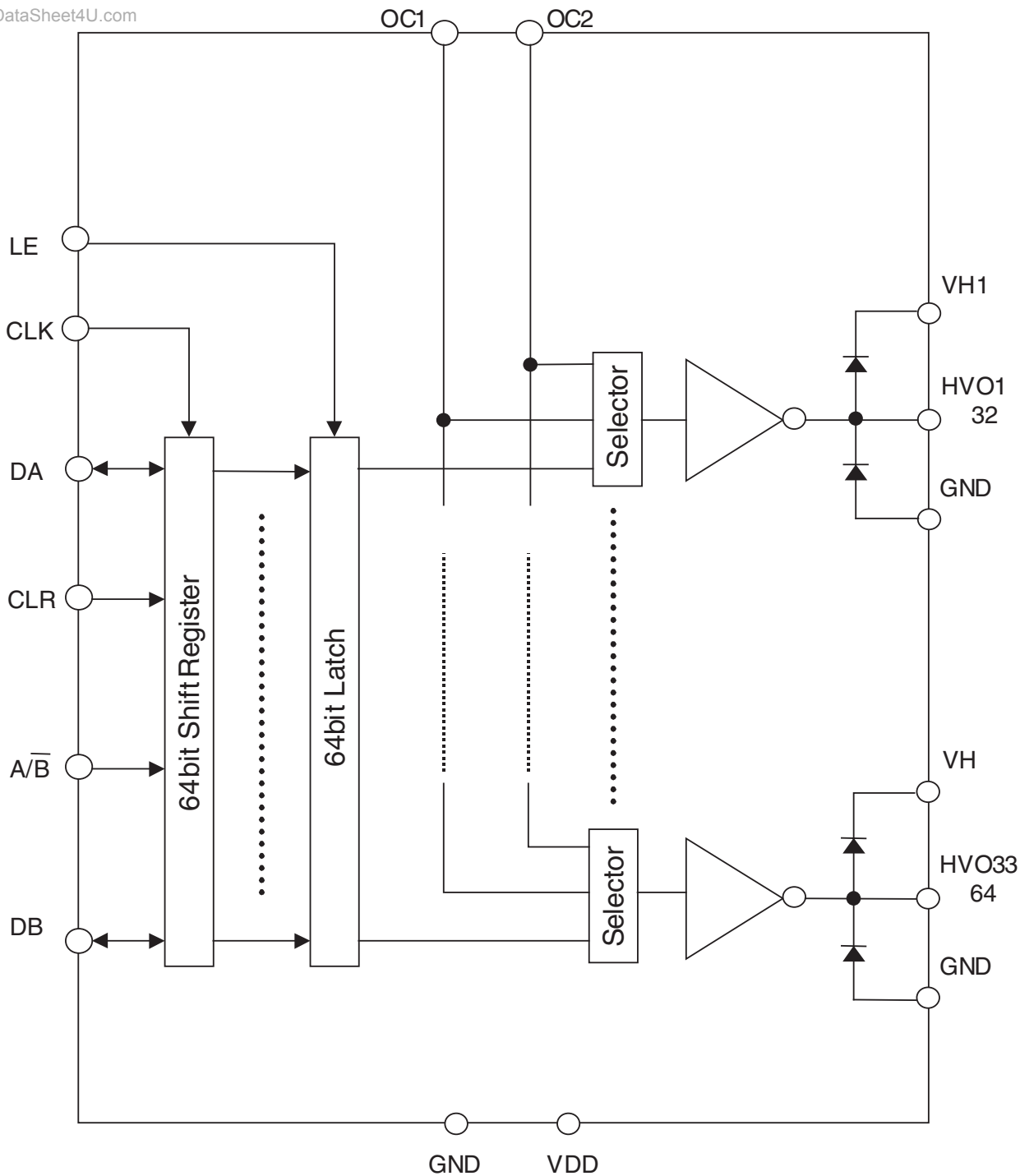
● Pin Arrangement (Top view)



● Block Diagram

www.DataSheet4U.com

A
B
C
D
E
F



● Pin Function

Pin Name	No.	I/O	Function
CLK	86	I	Shift clock.
DA	91	I/O	Serial data input/output of Sift register pin.
DB	85	I/O	Serial data input/output of Sift register pin.
CLR	92	I	"H" level: sift register contents of "L" level.
LE	87	I	"L" level: Slew, "H" level: Larch
A/B	84	I	Setup pin of sift register sift direction.
OC1	89	I	HVO Output control pin.
OC2	90	I	HVO Output control pin.
HVO	99,100,1-30 46-77	O	High-voltage drive output. (HVO1 - HVO64)
VDD	88	-	Logic power supply.
GND	35-41,82-83 93-94	-	Reference potential 0V (HVO diode anode)
VH1	32,33,96,97	-	HVO1 - 32 High voltage circuit power supply (HVO diode cathode).
VH2	43,44,79,80	-	HVO33 - 64 High voltage circuit power supply (HVO diode cathode).
NC	31,34,41,45 78,81,95,98	-	NC pin