

**GLP-401**  
UHF Band

Inquire

**Application**

for Spurious reduction

**Characteristics**

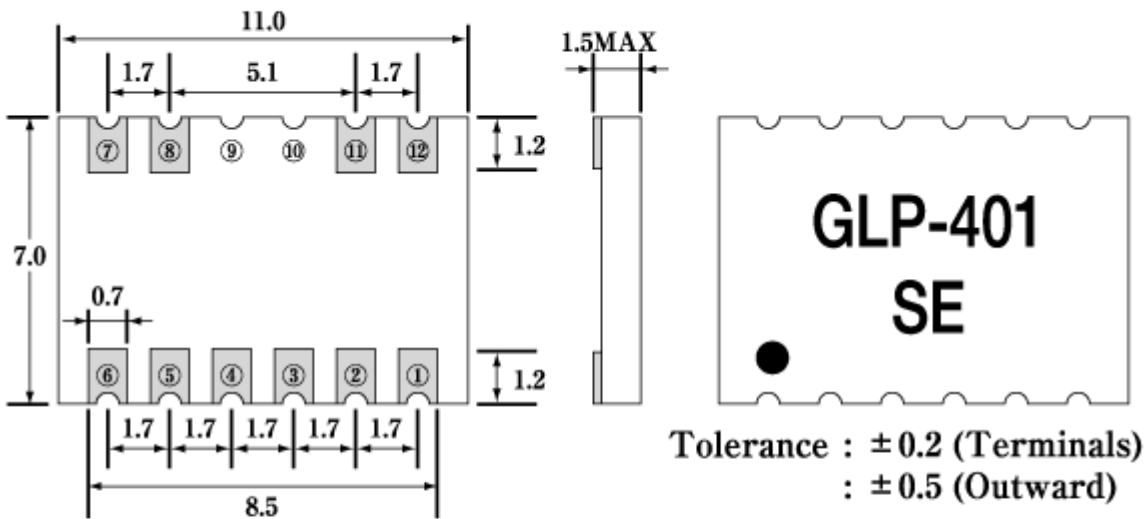
<b>GLP-401</b>	
Zin/Zout	50 ohm Nominal
Pass Band	330 up to 400MHz
Insertion Loss	0.7dB max (330 up to 400MHz)
V.S.W.R	1.5 max (330 up to 400MHz)
Attenuation	30 dB min (at 2f : 660 up to 800MHz)
	25 dB min (at 3f : 990 up to 1200MHz)
Rated Power	12W max (330 up to 400MHz)
Max Input Power	20W 1minute

**Number of ordered pieces**

500pcs/Reel

**Dimensions**

Dimension (Unit : mm)



Tolerance : ±0.2 (Terminals)  
: ±0.5 (Outward)

Terminal			
①	Input	⑦	GND
②	GND	⑧	
⑤		⑪	
⑥	Output	⑫	

**Note**

Do not connect any wiring (inclusive of grounding) to terminals No.9 and No.10. They are provided solely for internal connections.

**Frequency Data**

