

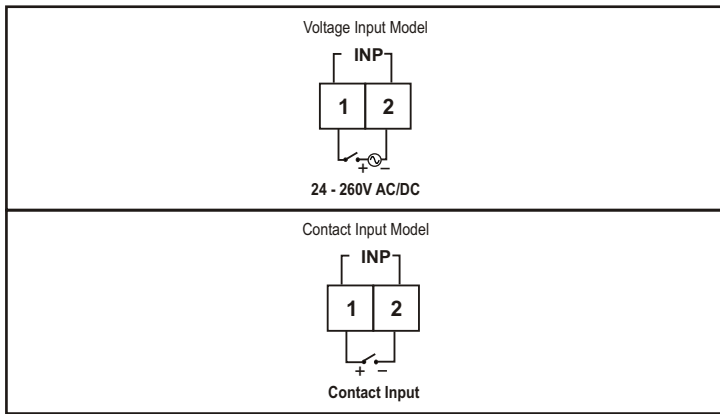


(48 x 48)

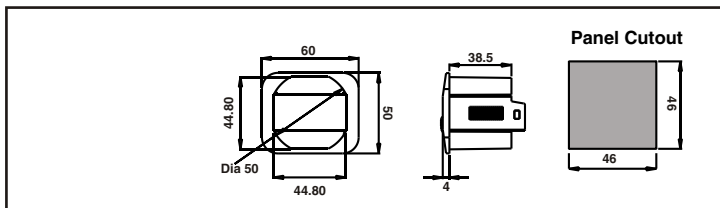
Ordering Information

Order Code	Size	Description
LT 945-C	48 x 48	Contact Input
LT 945-V	48 x 48	Voltage input

Terminal Connections



Dimensions (in mm)



Technical Specifications

Display	Liquid crystal display
Digits	8 digits
Range	999999.99 hrs
Accuracy	0.05%
Direction	Up
Input	a) Contact input b) 24 to 260 VAC/DC (factory set)
Reset	No reset
Memory	5 years
Supply Voltage	Battery powered
Temperature	Operating: 0 to 50°C Storage: -20 to 75°C
Humidity (non-condensing)	95% RH
Weight	50 gms
Certifications	CE