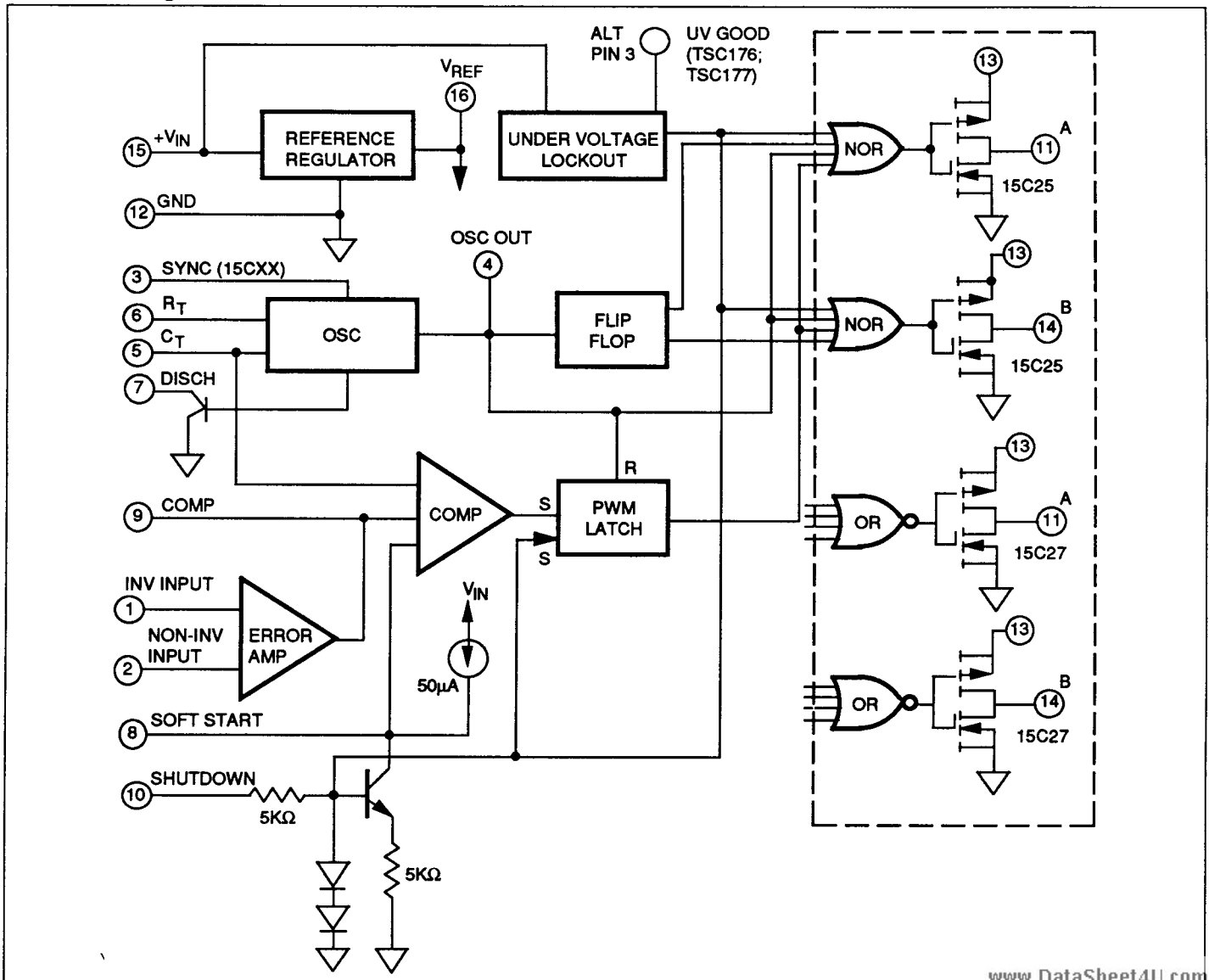


BICMOS PWM CONTROLLERS

Features

- High Voltage 35V Input
- Low Power BICMOS Construction
- Low Supply Current 1.0mA Typ
- Latch Up Immunity > 500 mA on Outputs
- Above and Below Rail Input Protection ±5V
- High Output Drive 500 mA Peak
- Fast Rise/Fall Time 50 nS @ 1000pF
- High Frequency Operation Up To 700kHz
- Tri-state R_T Pin For Easy Parallel Operation
- UV Hysteresis Guaranteed
- Shutdown Pin Available
- Double Ended
- Soft Start, With Small Cap
- Low Prop Delay Shutdown to Output 140nS Typ
- 2KV ESD Protection

Functional Diagram



TSC176
TSC15C25A
TSC25C25A
TSC35C25A

TSC177
TSC15C27A
TSC25C27A
TSC35C27A

General Description

The TSC35C25A/35C27A family of PWM controllers are CMOS implementations of the industry standard voltage mode ICs.

As well as offering power consumption 10 times less than the industry standard this family offers improved output drive, latch proof operation, input protection 5 volts below the negative rail and improved propagation delay.

Unlike first generation CMOS PWM ICs, this family of devices can be operate from two separate power supplies, one for the output stage and one for the control section. This allows "bootstrap" operation of the IC. The CMOS output stage allows the output voltage swing to come within 25mV of either rail.

A tri-state feature has been added to systems requiring multiple power supplies. When R_T pin is pulled to +5V, the IC can be driven by an external pulse, allowing external control of frequency and dead time. Use this for master/slave or parallel/redundant configurations. Low 10μA sync current makes this easy.

Other improved features are tightened hysteresis and UV start up points that are specified over temperature, and low input bias currents on all inputs making these devices especially useful for high voltage supplies. An internal 35 volt zener diode on the input is available as a clamp for those applications where external clamps are not available.

To use these PWM in place of older bipolar versions it should be noted that the oscillator ramp is 3V, not 4V, and that a different RC is required. Also the voltage reference is 4V, not 5V.

Ordering Information

Part No	Configuration	Pkg./Temperature
TSC35C25ACOE	Non-Inverting	16-Pin SOIC (wide) 0 to 70°C
TSC35C25ACPE	Non-Inverting	16-Pin Plastic DIP 0 to 70°C
TSC35C25ACL P	Non-Inverting	20-Pin Plastic LCC 0 to +70°C
TSC35C27ACOE	Inverting	16-Pin SOIC (wide) 0 to 70°C
TSC35C27ACPE	Inverting	16-Pin Plastic DIP 0 to 70°C
TSC35C27ACL P	Inverting	20-Pin Plastic LCC 0 to 70°C

Ordering Information

Part No.	Configuration	Pkg./Temperature
TSC15C25AMJ	Non-Inverting	16-Pin CerDIP -55 to +125°C
TSC15C25AMNP	Non-Inverting	20-Pin LCC -55 to +125°C
TSC15C27AMJE	Inverting	16-Pin CerDIP -55 to +125°C
TSC15C27AMNP	Inverting	20-Pin LCC 16-pin -55 to +125°C
TSC176COE	UV Pin, Non-Inverting	16-Pin SOIC (wide) 0 to +70°C
TSC176CPE	UV Pin, Non-Inverting	16-Pin Plastic DIP 0 to 70°C
TSC176EOE	UV Pin, Non-Inverting	16-Pin SOIC (wide) -40 to +85°C
TSC176EPE	UV Pin, Non-Inverting	16-Pin Plastic DIP -40 to +85°C
TSC176MJE	UV Pin, Non-Inverting	16-Pin CerDIP -55 to +125°C
TSC177COE	UV Pin, Inverting	16-Pin SOIC (wide) 0 to 70°C
TSC177CPE	UV Pin, Inverting	16-Pin Plastic DIP 0 to +70°C
TSC177EOE	UV Pin, Inverting	16-Pin SOIC (wide) -40 to +85°C
TSC177EPE	UV Pin, Inverting	16-Pin Plastic DIP -40 to +85°C
TSC177MJE	UV Pin, Inverting	16-Pin CerDIP -55 to +125°C
TSC25C25AE OE	Non-Inverting	16-Pin SOIC (wide) -40 to +85°C
TSC25C25AEPE	Non-Inverting	16-Pin Plastic DIP -40 to +85°C
TSC25C25AEJE	Non-Inverting	16-Pin CerDIP -40 to +85°C
TSC25C27AE OE	Inverting	16-Pin SOIC (wide) -40 to +85°C
TSC25C27AEPE	Inverting	16-Pin Plastic DIP -40 to +85°C
TSC25C27AEJE	Inverting	16-Pin CerDIP -40 to +85°C

PRELIMINARY INFORMATION

TSC176
TSC15C25A
TSC25C25A
TSC35C25A

TSC177
TSC15C27A
TSC25C27A
TSC35C27A

Electrical Characteristics: $V_+ = 16V$, $T_{AMP} = 25^\circ C$, $R_T = 5K\Omega$, $R_D = 100\Omega$, $C_T = 1000pF$ (See test circuit)

PARAMETER	NOTES 1, 2	CONDITIONS	MIN	TYP	MAX	UNITS
Reference Section						
Output Voltage		@ 1mA	3.95	4	4.05	V
Line Regulation	*	$V_{IN} = 8$ to 18V		5	10	mV
Load Regulation	*	$I_L = 1$ to 20mA		4	20	mV
Temperature Stability		Oper Temp Range		20	50	mV
Total Variation		Line, Load, Temp	3.85	4	4.15	V
Long Term Stability		$T_J = 125^\circ C$		1	10	mV/1KHrs
Short Circuit Current		$V_{REF} = 0$		50	100	mA
Output Noise		$10Hz \leq f \leq 10KHz$		40	200	μV_{RMS}
Output Impedance		10Hz (See Graph)	0.2	0.25	0.5	Ω
Oscillator						
Initial Accuracy	*	@ 95KHz		± 2	± 3	%
Voltage Stability		$V_{IN} = 8$ to 16V		0.5	1	%
Temperature Stability		Oper Temp Range		± 3	± 6	%
Charge Current Range	+	$R_T = 3K\Omega$ to 300K Ω	100:1			
Max Cap Reset Transistor		$R_{DS(ON)} = 0\Omega$	40	47	75	Ω
Osc Output Amplitude		$f = 100KHz$, $R_L = 1M\Omega$	5.9	6	6.1	V
Osc Output Min Width	*	$R_D = 27\Omega$	130	160	230	nS
Sync Threshold		R_T pin tied to +6V, C_T pin at GND	0.8	1.3	1.6	V
Sync Input Current		Sync Voltage = 3.5V			10	μA
Min Sync Pulse Width	+	Sync Voltage = 5V	190	200	230	nS
Max Osc Freq	*	$R_T = 1K$, $C_T = 200pF$, $R_{DIS} = 20\Omega$	790	810	840	KHz
Error Amplifier ($V_{CN} = 2.5V$)						
Input Offset Voltage				5	15	mV
Input Bias Current	*			0.2	0.5	μA
Input Offset Current	*			100	500	pA
DC Open Loop Gain	*	$R_L = 100K\Omega$	80	90		db
Gain Bandwidth Product		$A_V = 0db$	0.7	0.9	1.2	MHz
Output Low Level	*	$R_L = 100K\Omega$ (N Channel)		0.01	0.05	V
Output High Level		$R_L = 100K\Omega$ (NPN)	5	5.4		V
CMRR		$V_{CN} = 0.5$ to 4.7V	60	75		db
Supply Voltage Rejection	*	$V_{IN} = 8$ to 18V	90	100	120	db
PWM Comparator						
Min Duty Cycle					0	%
Max Duty Cycle		$f = 100KHz$	45	49		%
Input Threshold		Zero Duty Cycle		0.6		V
Input Threshold		Max Duty Cycle	3	3.3	3.6	V
Input Bias Current	*			0.05	0.1	μA
Soft Start Section						
Soft Start Current	*	$V_{SHUTDOWN} = 0V$	38	46	55	μA
Soft Start Voltage		$V_{SHUTDOWN} = 2V$	0.2	0.25	0.5	V
Shutdown Input Current	*	$V_{SHUTDOWN} = 2.5V$		0.5	1	μA
Min Shutdown Pulse Width	+	$V_{SHUTDOWN} = 5V$	45	50		nS
Shutdown Delay	*	$V_{SHUTDOWN} = 5V$	130	140	170	nS

BICMOS PWM CONTROLLERS

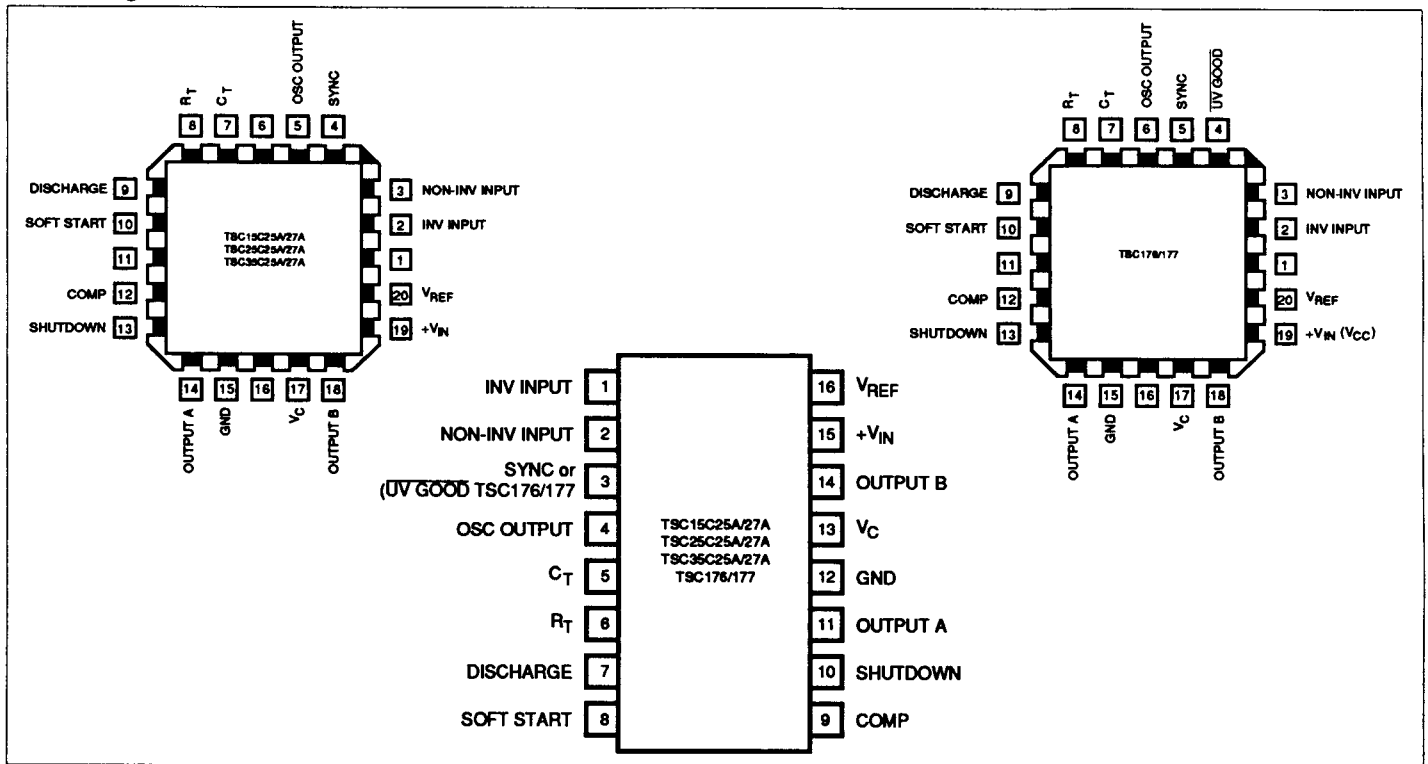
TSC176
TSC15C25A
TSC25C25A
TSC35C25A

TSC177
TSC15C27A
TSC25C27A
TSC35C27A

PARAMETER	NOTES 1, 2	CONDITIONS	MIN	TYP	MAX	UNITS
Output Drivers (each output)						
Output Low Level		$R_{DS(ON)}$		17	22	Ω
Output High Level		$R_{DS(ON)}$		10	15	Ω
Rise Time		$C_L = 1KpF$	50	100	150	nS
Fall Time		$C_L = 1KpF$	50	100	150	nS
Power Supply						
Supply Current		$f = 100KHz$ (See Test Circuit)		1	1.8	mA
UV Lockout		Pins 8 and 9 to V_{REF}	6.65	6.85	7.05	V
UV Lockout Hysteresis			0.3	0.65	0.8	V

NOTES: 1. *Improved specification.
 2. +Added specification.

Pin Configurations



Domestic Sales Offices

Teledyne Components
 1300 Terra Bella Avenue
 P.O. Box 7267
 Mountain View, CA 94039-7267
 TEL: 415-968-9241
 FAX: 415-967-1590

Teledyne Components
 147 Sherman Street
 Cambridge, MA 02140
 TEL: 617-491-1370
 FAX: 617-547-6119

Teledyne Components
 40 Allied Drive
 Dedham, MA 02026-9103
 TEL: 617-329-1600
 FAX: 617-326-6313

Foreign Sales Offices

Teledyne Components
 Abraham Lincoln Straße 38-42
 6200 Wiesbaden
 West Germany
 TEL: 49-6121-7680
 FAX: 49-6121-768155

Teledyne Components
 The Harlequin Centre
 Southhall Lane
 Southhall
 Middlesex, UB2 5NH
 England
 TEL: 44-1-571-9596
 FAX: 44-1-571-9439
 TEL: 44-1-571-8177

Teledyne Components
 85, Rue Anatole France
 F-92300 Levallois-Perret
 TEL: 33-14-757-1970
 FAX: 33-14-759-9269

Teledyne Components
 10 Sam Chuk Street
 San Po Kong
 Kowloon, Hong Kong
 TEL: 852-3-240122
 FAX: 852-3-351-2344
 TLX: 780-43549 (TDYHK HX)

Teledyne Components
 4th Floor Taiko No. 3 Bldg.
 2-10-7 Shibuya, Shibuya-Ku
 Tokyo 150, Japan
 TEL: 81-3-797-5251
 FAX: 81-3-797-5255

Teledyne Components
 Room 310, Daiwa Bldg., Honkan
 22-20, 1-Chome, Shimanouchi
 Minami-Ku, Osaka 542, Japan
 TEL: 81-6-252-5861
 FAX: 81-6-252-5867

OCT 1 7 1990

18628
 www.DataSheet4U.com