

PLEASE CHECK WWW.MOLEX.COM FOR LATEST PART INFORMATION

Part Number: [0528306212](#)
Status: **Active**
Overview: [modular_plugs_jacks](#)
Description: Modular Jack, Right Angle, 6/2, 0.10µm (4µ") Gold (Au) Plating, with Beveled Metal Pins, Tray Packaging, Lead-free

Documents:

[3D Model](#) [Product Specification PS-52830-002 \(PDF\)](#)
[Drawing \(PDF\)](#) [RoHS Certificate of Compliance \(PDF\)](#)

Agency Certification

CSA LR19980
 UL E107635

General

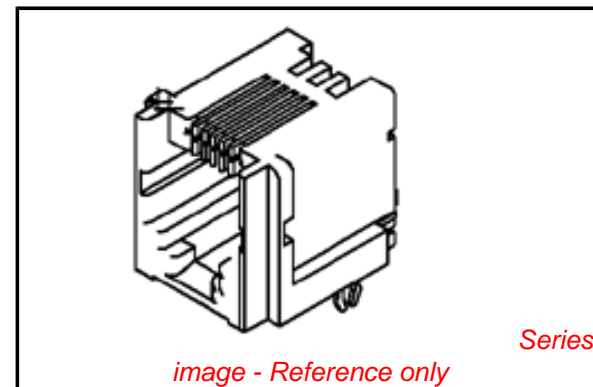
Product Family Modular Jacks/Plugs
 Series [52830](#)
 Comments Beveled Metal Pins
 Component Type PCB Jack
 Magnetic No
 Overview [modular_plugs_jacks](#)
 Performance Category 3
 Power over Ethernet (PoE) N/A
 Product Name RJ11

Physical

Boot Color N/A
 Color - Resin Gray
 Durability (mating cycles max) 200
 Flammability 94V-0
 Inverted / Top Latch No
 Lightpipes/LEDs None
 Material - Metal Phosphor Bronze
 Material - Plating Mating Gold
 Material - Plating Termination Tin
 Material - Resin Polyester
 Orientation Right Angle (Side Entry)
 PCB Locator Yes
 PCB Retention Yes
 PCB Thickness Recommended (in) 0.063 In
 PCB Thickness Recommended (mm) 1.60 mm
 Packaging Type Tray
 Pitch - Mating Interface (in) 0.040 In
 Pitch - Mating Interface (mm) 1.02 mm
 Pitch - Term. Interface (in) 0.040 In
 Pitch - Term. Interface (mm) 1.02 mm
 Ports 1
 Positions / Loaded Contacts 6/2
 Surface Mount Compatible (SMC) No
 Temperature Range - Operating -40°C to +80°C
 Termination Interface: Style Through Hole
 Waterproof / Dustproof No
 Wire/Cable Type N/A

Electrical

Current - Maximum per Contact 1.2A



EU RoHS

ELV and RoHS Compliant
REACH SVHC
 Not Reviewed
Halogen-Free Status
Not Reviewed

China RoHS



Need more information on product environmental compliance?

Email productcompliance@molex.com
 For a multiple part number RoHS Certificate of Compliance, [click here](#)

Please visit the [Contact Us](#) section for any non-product compliance questions.

Search Parts in this Series

[52830Series](#)

Mates With

FCC 68 Plugs

Shielded
Voltage - Maximum

No
125V AC (RMS)/DC

Material Info

Reference - Drawing Numbers

Product Specification
Sales Drawing

PS-52830-002
SD-52830-002

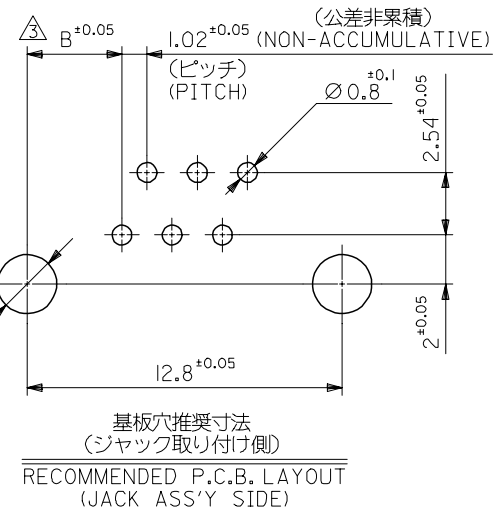
This document was generated on 06/07/2010

PLEASE CHECK WWW.MOLEX.COM FOR LATEST PART INFORMATION

注記
NOTES

- 材質
MATERIAL
ハウジング: ガラス入りポリエステル UL94V-0 (色: グレイ)
UL94V-0 (色: グレイ)
HOUSING: POLYESTER G.F.15% UL94V-0 (COLOR: GRAY)
ターミナル: リン青銅 (t=0.38)
TERMINAL: PHOSPHOR BRONZE (t=0.38)
金属ペグ: リン青銅、錫メッキ (t=0.4)
METAL PEG: PHOSPHOR BRONZE (t=0.4), PRE-TINNED
- ターミナルのメッキ仕様
PLATING OF TERMINAL
接点部: 金メッキ、表参照
CONTACT AREA: GOLD PER TABLE
半田付け部: 錫メッキ 1.0 μmMIN.
SOLDER AREA: TIN 1.0 μmMIN.
下地メッキ: ニッケルメッキ 1.0 μmMIN.
UNDERPLATE: NICKEL 1.0 μmMIN.

- ③ -64*2は、両端の基板穴を除く。
-62*2は、両端2つの基板穴を除く。
DIM. "B" INDICATES FIRST P.C. HOLE REQUIRED PER PART NUMBER. FOR PARTIALLY LOADED ASSEMBLIES P.C. HOLE PATTERN IS REDUCED FROM EACH END.
- ④ 金メッキ厚標示
COLOR CODING TO INDICATE GOLD PLATING
黄色: 0.1 μmMIN.
YELLOW: 0.1 μmMIN.
緑色: 0.38 μmMIN.
GREEN: 0.38 μmMIN.
オレンジ色: 0.76 μmMIN.
ORANGE: 0.76 μmMIN.
無色: 1.27 μmMIN.
UNMARKED: 1.27 μmMIN.
- 推奨基板厚: t=1.6±0.05
RECOMMENDED P.C.B. THICKNESS: 1.6±0.05
- 本製品は52830-6**5の鉛フリー品である。
THIS PRODUCT IS LEAD FREE OF 52830-6**5.



POSITION	CIRCUIT	B	(A)	金メッキ厚 (μmMIN.) Au PLATING THK. (μmMIN.)	MATERIAL NO.
6	6	3.85	5.08	1.27	52830-6642
				0.76	-6632
				0.38	-6622
				0.1	-6612
6	4	4.87	3.05	1.27	-6442
				0.76	-6432
				0.38	-6422
				0.1	-6412
6	2	5.89	1.02	1.27	-6242
				0.76	-6232
				0.38	-6222
				0.1	-6212

REVISED EC NO: J2006-0419 DRW: HVAJIMA 2005/11/02 CHK: DAN.UKITA 2005/11/07 APPR: NUKITA 2005/11/10	GENERAL TOLERANCES (UNLESS SPECIFIED)		DIMENSION STYLE MM ONLY	SCALE 5:1	DESIGN UNITS METRIC	THIRD ANGLE PROJECTION
	10 UNDER	±0.2	DRAWN BY Y. SAKIYAMA	DATE '04/04/20	TITLE BOTTOM LATCH MODULAR JACK HOUSING ASS'Y -LEAD FREE-	
	10 OVER 30 UNDER	±0.25	CHECKED BY M. SASAO	DATE '04/04/20	MOLEX INCORPORATED	
	30 OVER	±0.3	APPROVED BY M. SASAO	DATE '04/04/20	DOCUMENT NO. SD-52830-002	SHEET NO. 1 OF 1
	ANGULAR	±3 °	MATERIAL NO. SEE CHART			