

SHINDENGEN

Super Fast Recovery Rectifiers

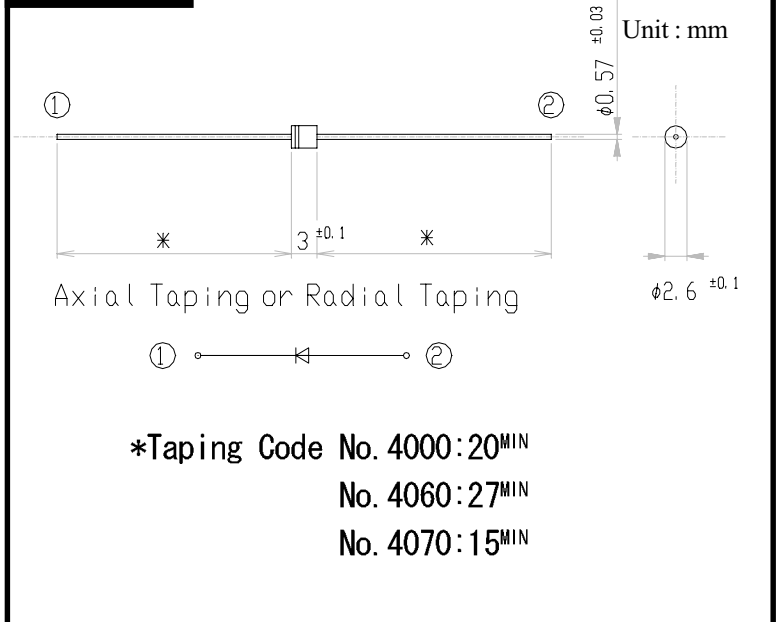
Single

D1NF60

600V 0.8A

OUTLINE DIMENSIONS

Case : AX-057



RATINGS

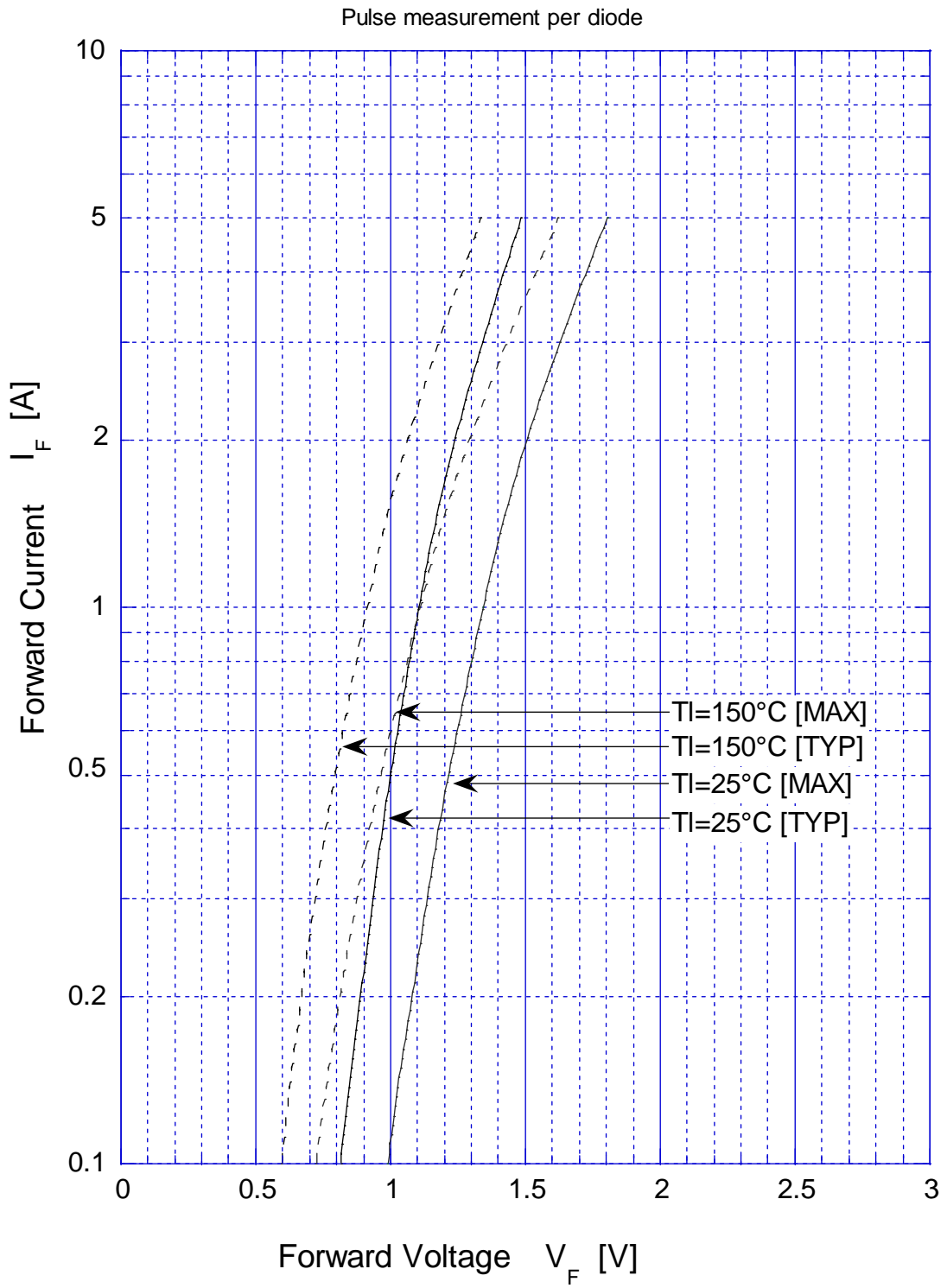
Absolute Maximum Ratings (If not specified Tl=25°C)

Item	Symbol	Conditions	Ratings	Unit
Storage Temperature	Tstg		-55 to 150	°C
Operating Junction Temperature	Tj		150	°C
Peak Reverse Voltage	V _{RM}		600	V
Average Rectified Forward Current	I _O	50Hz sine wave, resistance load, T _a =25°C	0.8	A
Peak Surge Forward Current	I _{FSM}	Sine wave 50Hz, Non-repetitive 1 cycle peak value, T _j =25°C	50	A

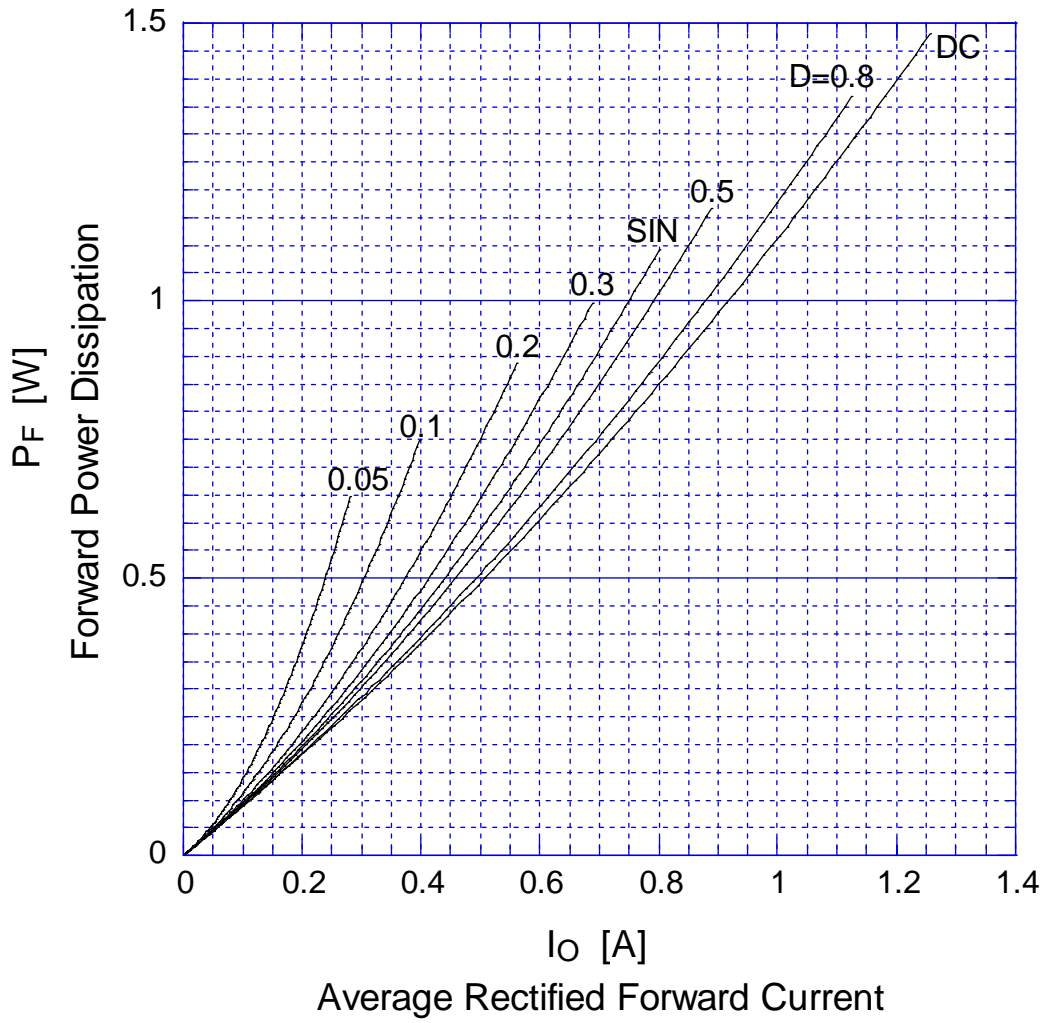
Electrical Characteristics (If not specified Tl=25°C)

Item	Symbol	Conditions	Ratings	Unit
Forward Voltage	V _F	I _F =0.8A, Pulse measurement	Max.1.3	V
Reverse Current	I _R	V _R =600V, Pulse measurement	Max.10	μA
Reverse Recovery Time	t _{rr}	I _F =0.5A, I _R =1A	Max.400	nS
Junction Capacitance	C _j	f=1MHz, V _R =10V	Typ.7	pF
Thermal Resistance	θ _{jl}	junction to lead	Max.10	°C/W
	θ _{ja}	junction to ambient	Max.113	

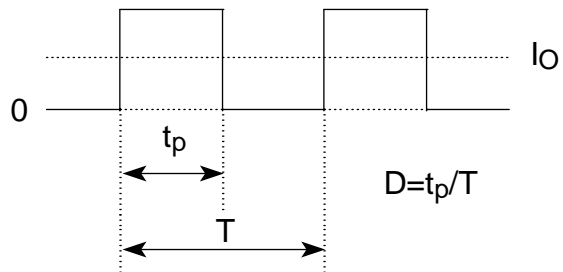
D1NF60 Forward Voltage



D1NF60 Forward Power Dissipation

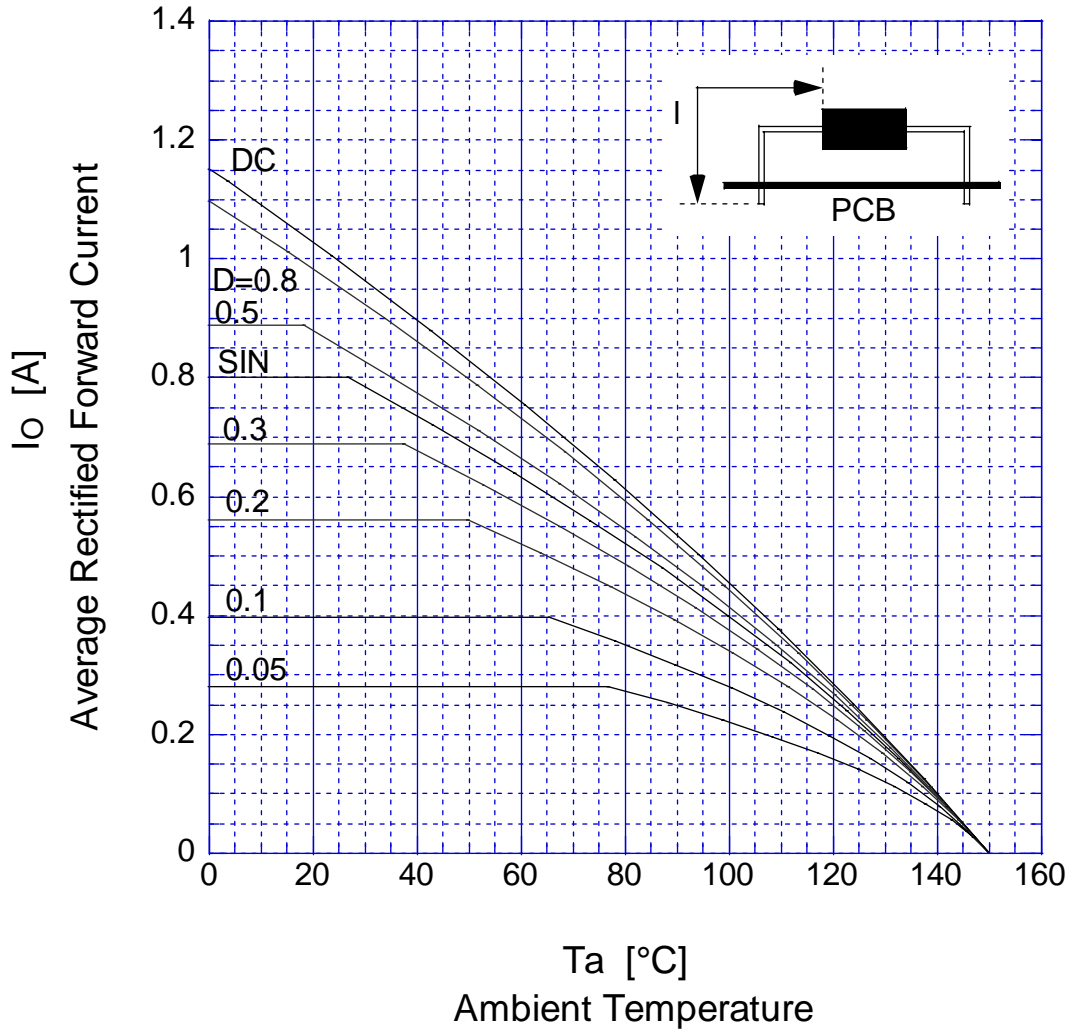


$T_j = 150^\circ\text{C}$

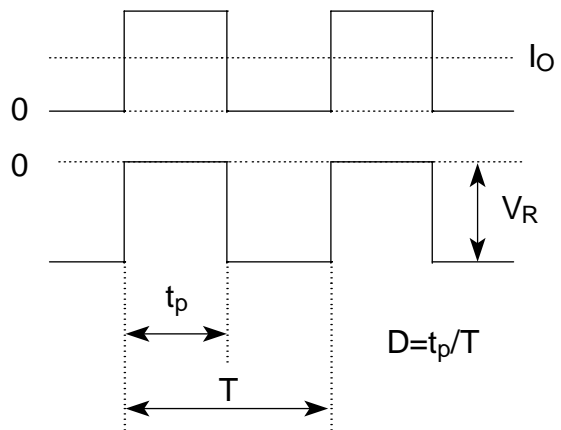


D1NF60

Derating Curve

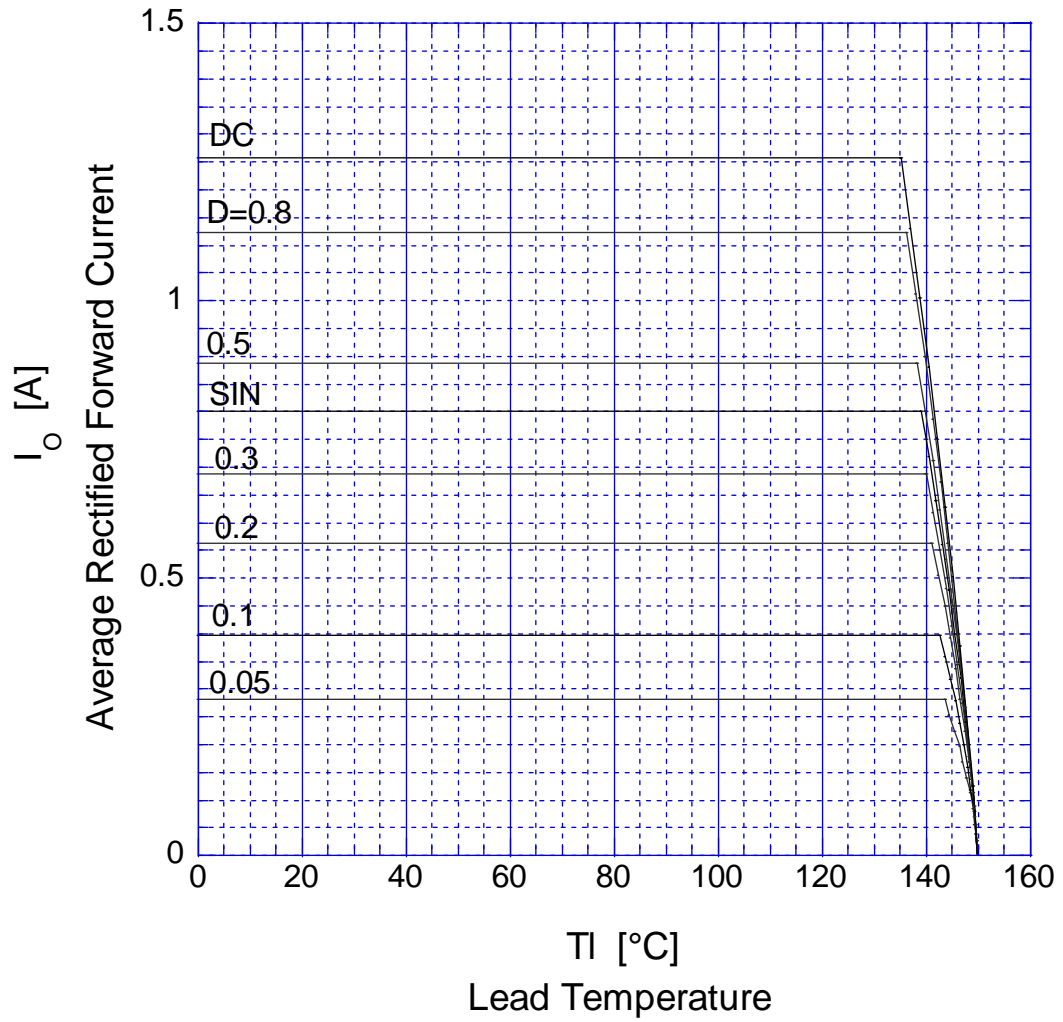


$$V_R = V_{RM}$$

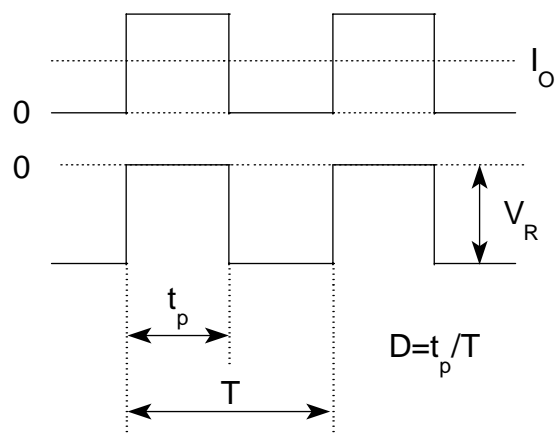


D1NF60

Derating Curve

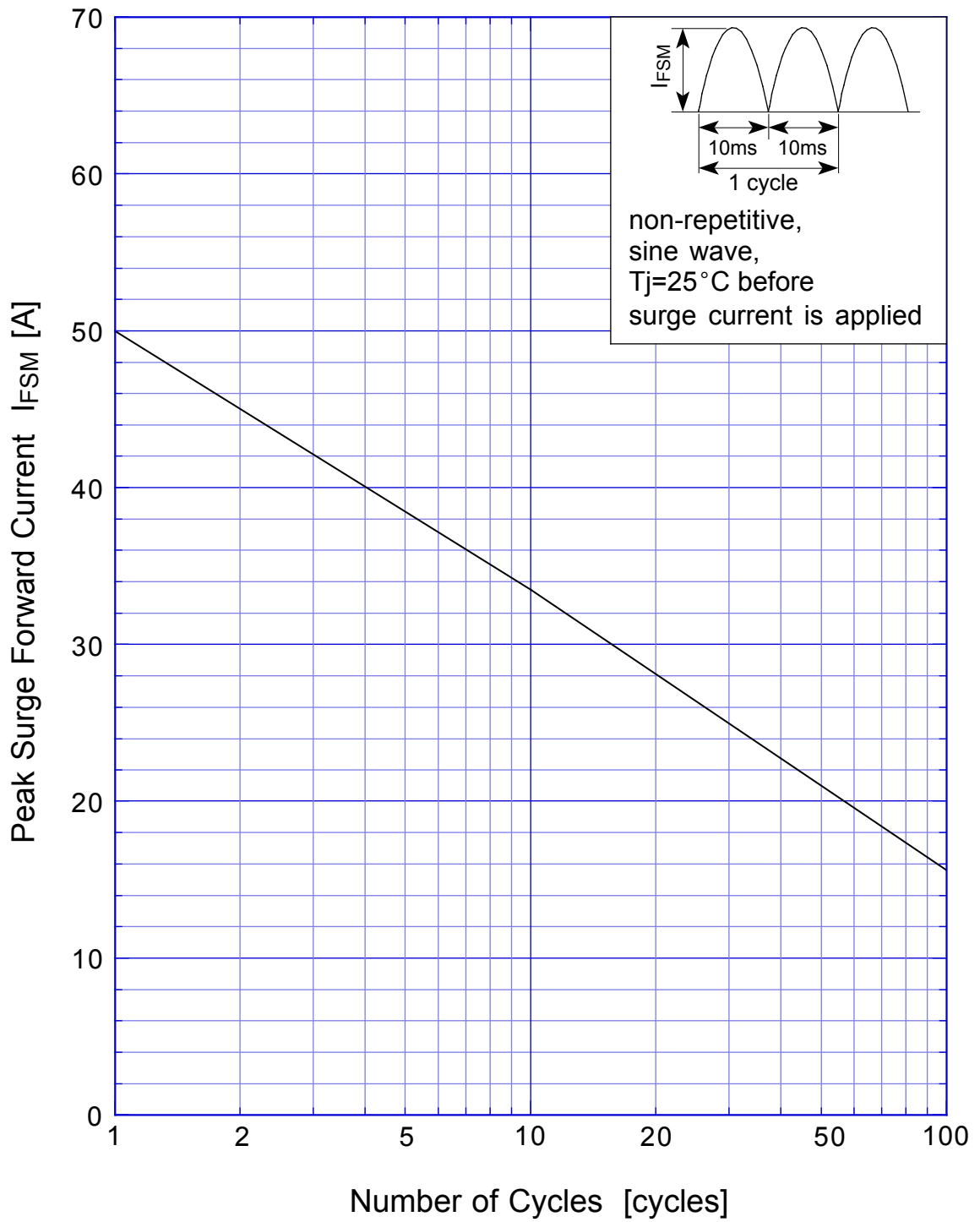


$V_R = 300V$



D1NF60

Peak Surge Forward Capability



D1NF60 Junction Capacitance

