

**PLEASE CHECK WWW.MOLEX.COM FOR LATEST PART INFORMATION**

**Part Number:** [0475969913](#)  
**Status:** **Active**  
**Description:** LGA 1156 Back-plate Assembly for Desktop PC, without Screws, Lead-free

**Documents:**

[Drawing \(PDF\)](#) [RoHS Certificate of Compliance \(PDF\)](#)  
[Product Specification PS-47596-001 \(PDF\)](#)

**General**

Product Family	Processor Sockets
Series	47596
Component Type	Back Plate Assembly
Product Name	LGA1156

**Physical**

Circuits (Loaded)	N/A
Durability (mating cycles max)	20
Material - Metal	Steel
Material - Plating Mating	Nickel
Packaging Type	Tray
Pitch - Mating Interface (in)	0.000 In
Pitch - Mating Interface (mm)	0.00 mm
Temperature Range - Operating	-25°C to +100°C
Termination Interface: Style	Screw or Lug

**Electrical**

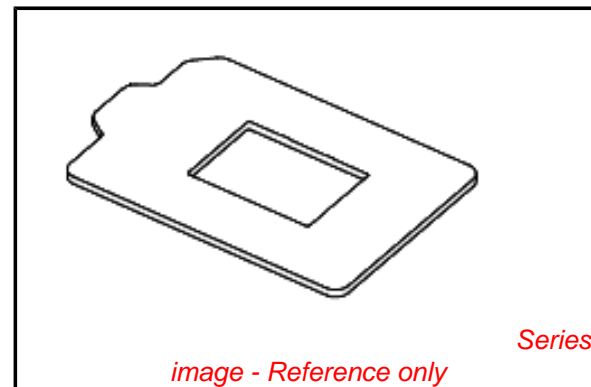
Current - Maximum per Contact	N/A
Voltage - Maximum	N/A

**Material Info**

**Reference - Drawing Numbers**

Packaging Specification	PK-47596-004
Product Specification	PS-47596-001
Sales Drawing	SD-47596-004

Intel and Nehalem and relevant names are either trademarks or registered trademarks of Intel Corporation



**EU RoHS**

**ELV and RoHS  
Compliant**  
**REACH SVHC**  
 Not Reviewed  
**Halogen-Free  
Status**

**China RoHS**



**Need more information on product  
environmental compliance?**

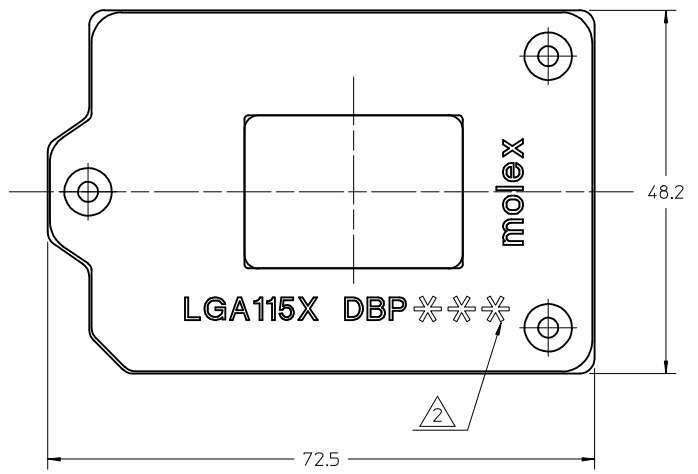
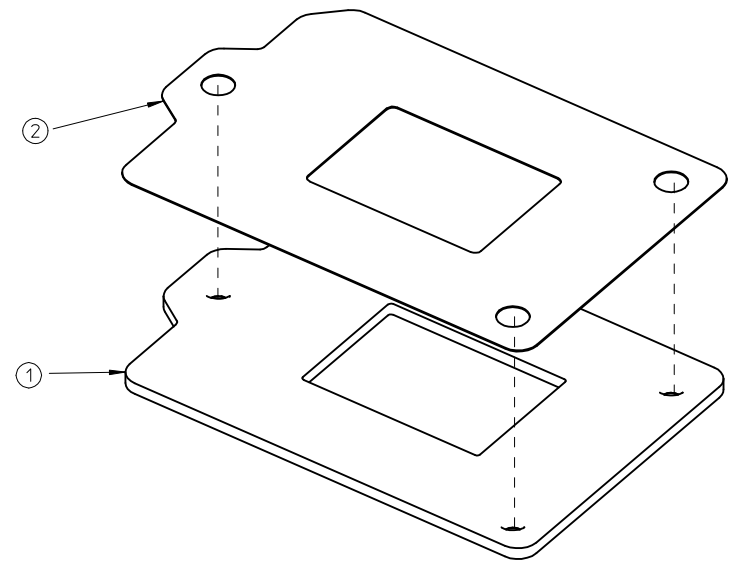
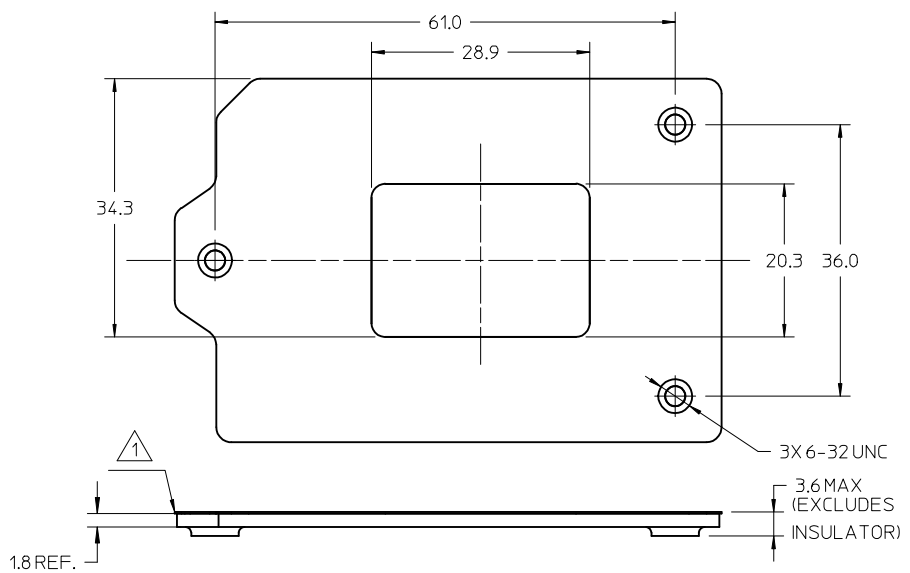
Email [productcompliance@molex.com](mailto:productcompliance@molex.com)  
 For a multiple part number RoHS Certificate of Compliance, [click here](#)

Please visit the [Contact Us](#) section for any non-product compliance questions.

**Search Parts in this Series**  
[47596Series](#)

**Mates With**  
 Intel\* Nehalem Processor

10 9 8 7 6 5 4 3 2 1



47596-8813	WITH HALOGEN FREE
47596-9913	WITHOUT HALOGEN FREE
PART NO.	DESCRIPTION

BILL OF MATERIAL			
ITEM NO	QTY	DESCRIPTION	MATERIAL
1	1	ILM BACK PLATE ASSEMBLY	
①	1	ILM BACK PLATE	STEEL WITH NICKEL PLATING
②	1	ILM BACK PLATE INSULATOR	POLYPROPYLENE SHEET

NOTES:

- ① INSULATOR OVERHANGS ALL EXTERNAL EDGES.
- ② INK PRINTED DATE CODE: \* \* \*
- WORKING DAY
- WORKING MONTH
- WORKING YEAR
- 3. 6-32 UNC MIN. 3MM THREAD DEPTH
- 4. PART IS COMPLAINT TO RoHS DIRECTIVE 2002/95/EC AND ELV 2000/53/EC.

ENTER DESCRIPTION EC NO: SH2010-0085 DRWN: ZHANG11 CHKD: APPR: WFDENG	2009/09/25	2009/09/25	2009/10/12
	2009/09/25	2009/09/25	2009/10/12
	2009/09/25	2009/09/25	2009/10/12
	2009/09/25	2009/09/25	2009/10/12

QUALITY SYMBOLS F=0 F=0 F=0	GENERAL TOLERANCES (UNLESS SPECIFIED)	
	mm	INCH
	4 PLACES ± ---	± ---
	3 PLACES ± ---	± ---
	2 PLACES ± ---	± ---
	1 PLACE ± 0.25	± ---
	ANGULAR ± 2 °	
DRAFT WHERE APPLICABLE MUST REMAIN WITHIN DIMENSIONS		

DIMENSION STYLE MM ONLY		SCALE 2:1	DESIGN UNITS METRIC	THIRD ANGLE PROJECTION
DRAWN BY JGU007	DATE 2008/01/11	TITLE SOCKET 115X BACK PLATE ASSEMBLY		
CHECKED BY JKACHLIC	DATE 2008/01/11	MOLEX INCORPORATED		
APPROVED BY CL IANG	DATE 2008/01/11	MATERIAL NO. SEE TABLE	DOCUMENT NO. SD-47596-004	SHEET NO. 1 OF 1
THIS DRAWING CONTAINS INFORMATION THAT IS PROPRIETARY TO MOLEX INCORPORATED AND SHOULD NOT BE USED WITHOUT WRITTEN PERMISSION				

9 8 7 6 5 4 3 2 1