

FYL-5012PD1C

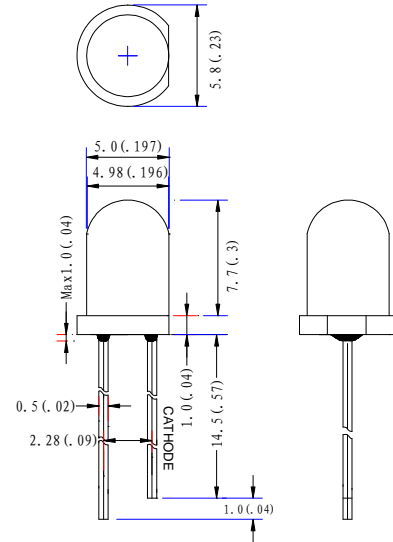
Features:

- Photo Diode
- Low power consumption
- High reliability and long life
- General purpose leads
- RoHs compliant.

Descriptions:

- Device Outline: $\Phi 5\text{mm}$ round Type
- Lens Type: Deep black

Package configuration



- ◆ All dimensions are millimeters (inches)
- ◆ Tolerance is $\pm 0.25\text{mm}$ (.010") unless otherwise noted.

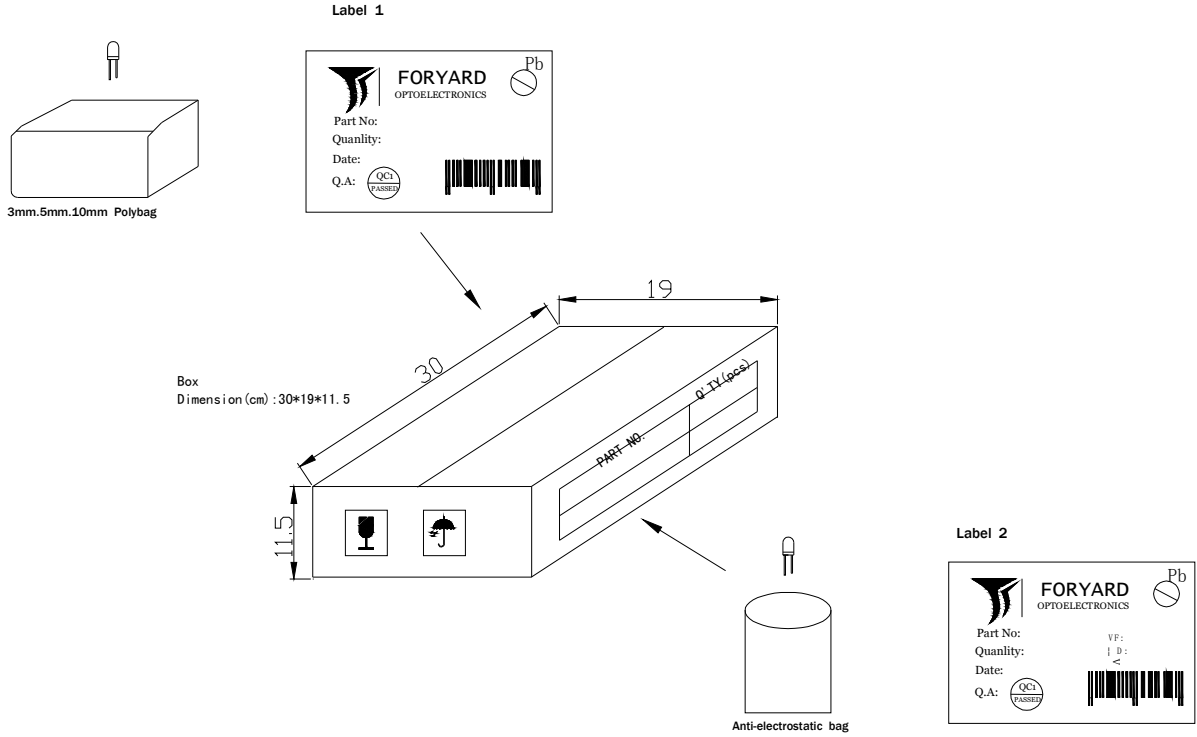
Absolute maximum ratings ($T_a = 25^\circ\text{C}$)

Parameter	Symbol	Min.	Typ.	Max.	Unit	Test Condition
Reverse Breakdown	V_{BR}	33	170	–	V	$I_R = 100\mu\text{A}, H = 0\text{mw}/\text{cm}^2$
Operating Temperature	T_{opr}	-30	–	+85	$^\circ\text{C}$	—
Storage Temperature	T_{str}	-40	–	+100	$^\circ\text{C}$	—

Electrical and optical characteristics ($T_a = 25^\circ\text{C}$)

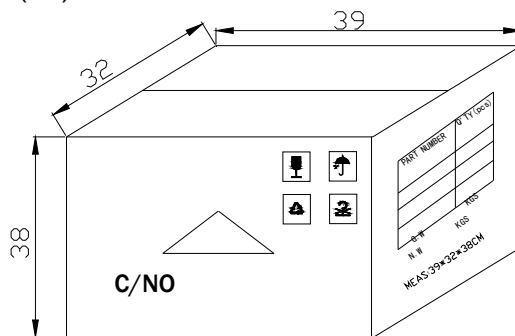
Parameter	Symbol	Min.	Typ.	Max.	Unit	Test Condition
Open Circuit Voltage	V_{oc}	–	410	–	mv	$H = 5\text{mw}/\text{cm}^2, \lambda_p = 940\text{nm}$
Short Circuit	I_{sc}	60	75	–	μA	$H = 5\text{mw}/\text{cm}^2, \lambda_p = 940\text{nm}$
Reverse Light Current	I_L	60	80	–	μA	$H = 5\text{mw}/\text{cm}^2, V_R = 5\text{V}$
Reverse Dark Current	I_D		5	10	nA	$H = 0\text{mw}/\text{cm}^2, V_R = 10\text{V}$
Total Capacitance	C_T		6		PF	$V_R = 3\text{V}, f = 1\text{MHZ}, H = 0\text{mw}/\text{cm}^2$
Turn On Time	T_{on}	–	10	–	ns	$R_L = 1\text{K}\Omega, V_R = 10\text{V}$
Turn Off Time	T_{off}	–	10	–	ns	$R_L = 1\text{K}\Omega, V_R = 10\text{V}$

LAMP PACKING.



DEVICE	QTY/polybag(pcs)	Polybag/box A	Fig
5mm(T-1 3/4)	1000	8 bags	Label 1
3mm(T-1)	1000	10 bags	Label 1
10mm(T-1)	250	8 bags	Label 1
Blue/Green/White	500pcs	8 bags	Label 2

CARTON
 Dimension(cm):39*32*38



6 Boxes/Carton
 5mm:48,000pcs
 3mm:60,000pcs
 10mm:12,000pcs
 Blue/Pure Green/bluish Green
 /White:24,000pcs