



SW12360W(12V95Ah)



Specifications

Nominal Voltage	12V	
CAPACITY(15 minutes rate to 1.67V/cell)	360 W	
Rated capacity (10hour rate)	95Ah	
Dimensions	Total Height	216 mm (8.50 inches)
	Height	211 mm (8.31 inches)
	Length	307 mm (12.1 inches)
	Width	169 mm (6.65 inches)
Weight Approx	30.5 Kg (67.24 lbs)	

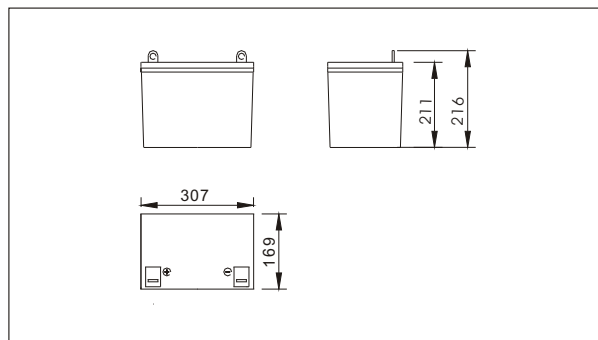
Characteristics

Capacity 25°C(77°F)	30min rate	1302W
	15min rate	2160W
	5min rate	3812W
Internal Resistance	Full charged Battery at 25°C(77°F)	3.5 mΩ
Capacity affected by Temperature (20hour rate)	40°C(104°F)	102%
	25°C(77°F)	100%
	0°C(32°F)	85%
	-15°C(5°F)	65%
Self-Discharge at 25°C(77°F)	Capacity after 3 month storage	91%
	Capacity after 6 month storage	82%
	Capacity after 12 month storage	64%
Terminal	T10、T16	
Charge (constant Voltage)	Cycle	Initial Charging Current less than 19A Voltage 14.10-14.40V
	Float	Voltage 13.50-13.80V

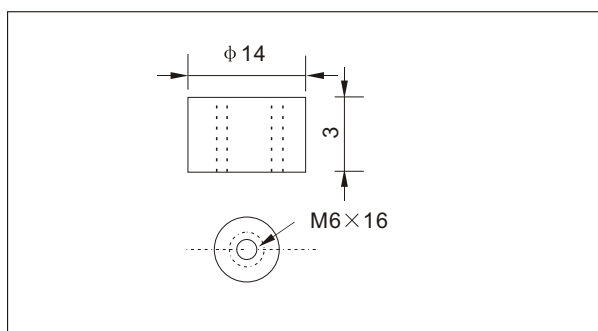
Constant power discharge:watts(25°C, 77°F)

	5min	10min	15min	20min	30min	45min	60min	90min
9.60V	3812	2851	2209	1821	1358	1000	784	583
10.02V	3649	2759	2160	1790	1327	963	765	563
10.2V	3486	2654	2111	1747	1302	950	747	544
10.5V	3326	2592	2055	1716	1277	920	716	518
10.8V	3163	2320	1821	1592	1136	821	648	497
11.1V	2817	2074	1654	1469	1055	771	609	473

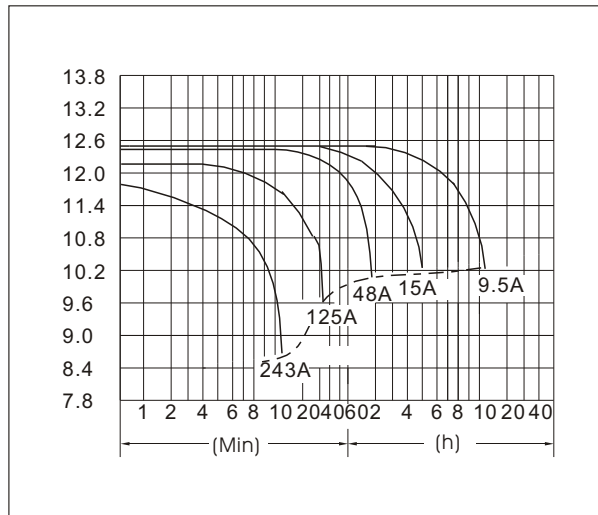
Outer dimensions (mm)



Terminal Type (mm)



Discharge Curves 25°C(77°F)



Constant current discharge unit:A(5°C, 77°F)

	5min	15min	30min	45min	60min	90min	5h	10h
9.60V	351.1	202.5	123.9	90.6	70.7	52.5	15.6	10.2
10.02V	332.5	194.5	118.9	85.9	67.6	49.8	15.5	10.0
10.2V	309.2	187.4	114.9	84.0	65.4	47.7	15.3	9.7
10.5V	286.0	175.3	106.8	77.2	59.6	44.7	15.1	9.5
10.8V	272.7	155.2	96.5	69.7	54.9	41.9	15.0	9.2
11.1V	239.4	142.1	90.1	65.4	51.5	39.8	14.6	9.0