



# TAI-SAW TECHNOLOGY CO., LTD.

No. 3, Industrial 2nd Rd., Ping-Chen Industrial District,  
Taoyuan, 324, Taiwan, R.O.C.

TEL: 886-3-4690038 FAX: 886-3-4697532

E-mail: [tstsales@mail.taisaw.com](mailto:tstsales@mail.taisaw.com) Web: [www.taisaw.com](http://www.taisaw.com)

## Approval Sheet For Product Specification

Issued Date:

Product Name: SAW Resonator 316 MHz TO-39

TST Parts No.: TC0418A

Customer Parts No.: \_\_\_\_\_

Company: _____
Division: _____
Approved by : _____
Date: _____

Checked by: Paul Ni

Approval by: Francis Chen

Date: 2007/11/20



# TAI-SAW TECHNOLOGY CO., LTD.

No. 3, Industrial 2nd Rd., Ping-Chen Industrial District,  
Taoyuan, 324, Taiwan, R.O.C.

TEL: 886-3-4690038 FAX: 886-3-4697532

E-mail: [tstsales@mail.taisaw.com](mailto:tstsales@mail.taisaw.com) Web: [www.taisaw.com](http://www.taisaw.com)

## SAW Resonator 316 MHz

MODEL NO.: TC0418A

REV. NO.:1

### A. FEATURES:

1. 1-Port Resonator.

### B. MAXIMUM RATING:

1. Input Power Level: 10 dBm

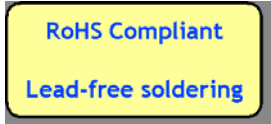
2. DC voltage: 5 V

3. Operating Temperature: -20°C to +85°C

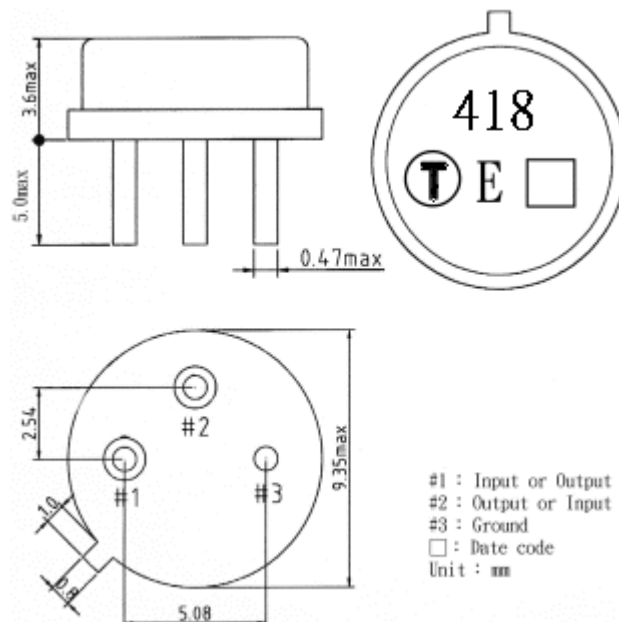
4. Storage Temperature: -40°C to +85°C

### C. ELECTRICAL CHARACTERISTICS:

Characteristic	Units	Minimum	Typical	Maximum
Center frequency <b>Fr</b>	<b>MHz</b>	315.925	316	316.075
Insertion Loss <b>IL</b>	<b>dB</b>	-	1.1	2.0
Equivalent Elements				
Motional capacitance <b>C1</b>	<b>fF</b>	-	2.62	-
Motional inductance <b>L1</b>	<b>μH</b>	-	96.94	-
Motional resistance <b>R1</b>	<b>Ohm</b>	-	14.14	-
Parallel capacitance <b>Co</b>	<b>pF</b>	-	3.52	-
Temp.coeff.	<b>ppm/c*2</b>	-	0.032	-
Turnover To	<b>deg.C</b>	-	35	-
Package size		TO-39		

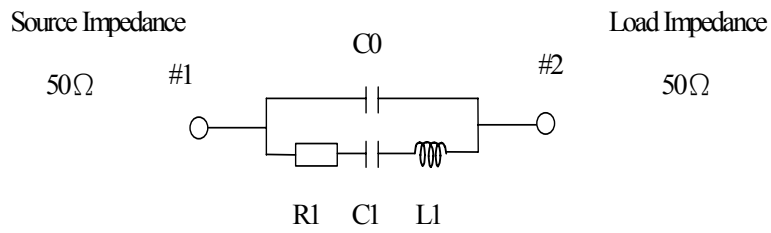


### D. OUTLINE DRAWING:



E. EQUIVARENT CIRCUIT:

One-Port Resonator:

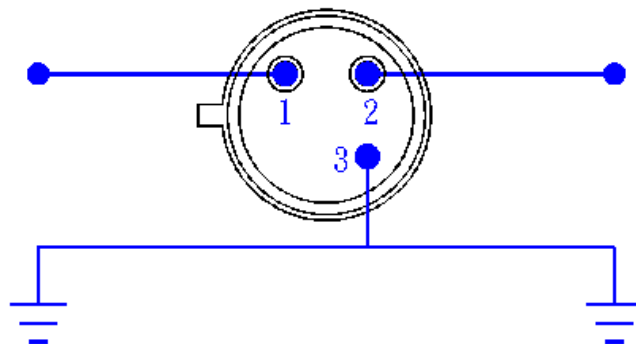


F. FREQUENCY CHARACTERISTICS:



G. TEST CIRCUIT:

From  $50\Omega$   
Network  
Analyzer



To  $50\Omega$   
Network  
Analyzer