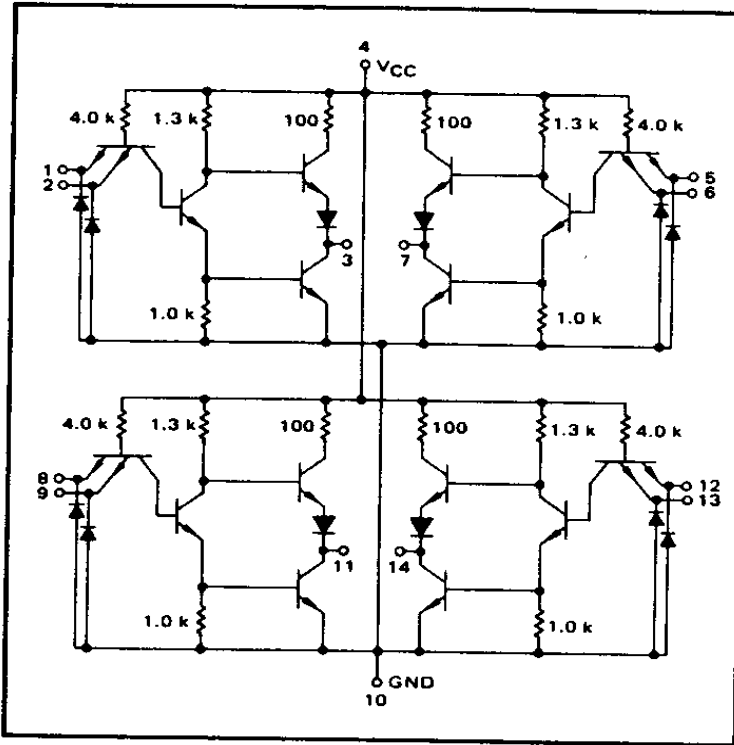


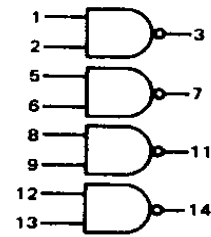
QUAD 2-INPUT "NAND" GATE

MTTL I MC500/400 series

MC508 • MC558
MC408 • MC458



This device consists of four 2-input NAND gates. The four gates in a single package represent increased functional flexibility. For example, a dual set-reset flip-flop may be obtained if each pair of gates is externally cross-coupled.



Positive Logic: $3 = \overline{1 \cdot 2}$
Negative Logic: $3 = \overline{1} + \overline{2}$

Total Power Dissipation = 60 mW typ/pkg
Propagation Delay Time = 10 ns typ

TYPE NO.	INPUT LOADING FACTOR	(I _F)	OUTPUT DRIVE	(I _{OL})	TEMPERATURE RANGE
MC508 MC558	1	(-1.33 mA)	15 MC500 series Gates 7 MC500 series Gates	(20 mA) (10 mA)	-55°C to +125°C
MC408 MC458	1	(-1.66 mA)	12 MC400 series Gates 6 MC400 series Gates	(20 mA) (10 mA)	0° to +75°C

SWITCHING TIME TEST CIRCUIT

VOLTAGE WAVEFORMS AND DEFINITIONS

