

PLEASE CHECK WWW.MOLEX.COM FOR LATEST PART INFORMATION

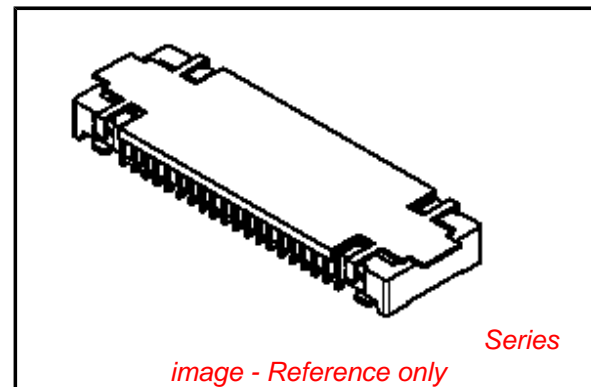
Part Number: [5015273410](#)
Status: **Active**
Overview: [slimstack_mm016_pitch](#)
Description: 0.40mm (.016") Pitch SlimStack™ Board-to-Board Receptacle, SMT, Dual Row, Vertical, 1.30mm (.051") Stacking Height, With Solder Tabs, Without Metal Cover, 34 Circuits

Documents:

[3D Model](#) [Product Specification PS-501527-001 \(PDF\)](#)
[Drawing \(PDF\)](#) [RoHS Certificate of Compliance \(PDF\)](#)

General

Product Family	PCB Receptacles
Series	501527
Application	Board-to-Board
Overview	slimstack_mm016_pitch
Product Name	SlimStack™
Physical	
Circuits (Loaded)	34
Color - Resin	Black
Durability (mating cycles max)	30
Glow-Wire Compliant	No
Lock to Mating Part	Yes
Mated Height (in)	0.051 In
Mated Height (mm)	1.30 mm
Material - Metal	High Performance Alloy (HPA), Phosphor Bronze, Stainless Steel
Material - Plating Mating	Gold
Number of Rows	2
Orientation	Vertical
PCB Locator	No
PCB Retention	Yes
Packaging Type	Embossed Tape on Reel
Pitch - Mating Interface (in)	0.016 In
Pitch - Mating Interface (mm)	0.40 mm
Polarized to Mating Part	No
Polarized to PCB	No
Stackable	No
Temperature Range - Operating	-25°C to +85°C
Termination Interface: Style	Surface Mount
Electrical	
Current - Maximum per Contact	0.3A
Voltage - Maximum	50V AC (RMS)/DC
Material Info	
Reference - Drawing Numbers	
Product Specification	PS-501527-001, RPS-501527-002, RPS-501527-004
Sales Drawing	SD-501527-003, SD-501527-004



EU RoHS

ELV and RoHS Compliant
REACH SVHC Contains SVHC: No
Halogen-Free Status

China RoHS



Not Reviewed

Need more information on product environmental compliance?

Email productcompliance@molex.com
 For a multiple part number RoHS Certificate of Compliance, [click here](#)

Please visit the [Contact Us](#) section for any non-product compliance questions.

Search Parts in this Series

[501527Series](#)

Mates With

[501531 PCB Header](#)

注記 NOTES

1. 使用材料 MATERIAL

ウェハ- : 液晶ポリマー (LCP) ガラス充填 UL94V-0 (黒)
 WAFER : LIQUID CRYSTAL POLYMER (GLASS FILLED)
 UL94V-0 (COLOR:BLACK)

ピン : 黄銅 (t=0.1)
 PIN : BRASS (t=0.1)

金具 : りん青銅 (t=0.12)
 FITTING NAIL : PHOSPHOR BRONZE (t=0.12)

2. メッキ仕様 PLATING

ピン PIN

金メッキ 0.2 マイクロメートル以上 (コンタクト部)
 GOLD 0.2MICROMETER MINIMUM (CONTACT AREA)

金メッキ 0.4 マイクロメートル以下 (テール部)
 GOLD 0.4 MICROMETER MAXIMUM (TAIL AREA)

下地メッキ : ニッケルメッキ 1.5 マイクロメートル以上
 UNDER PLATING : NICKEL 1.5MICROMETER MINIMUM

金具 FITTING NAIL

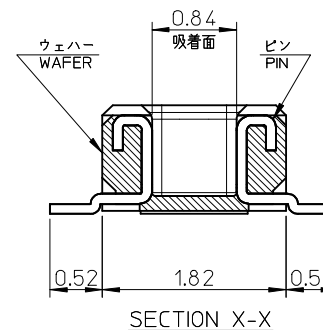
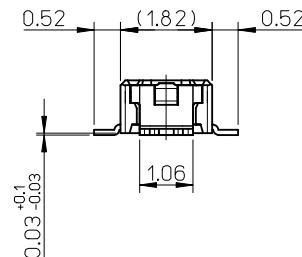
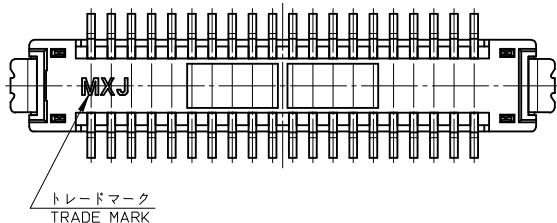
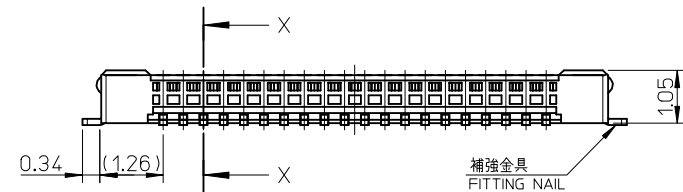
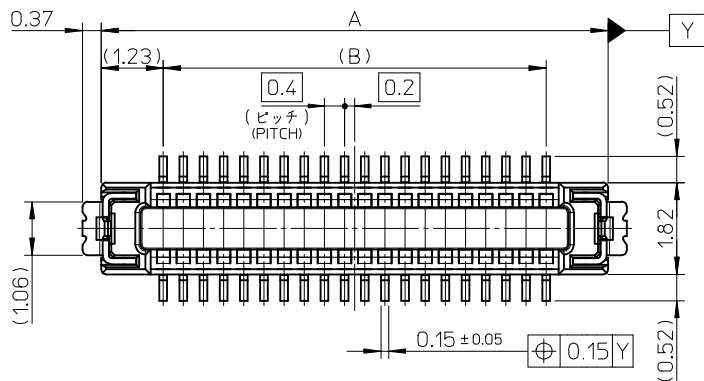
半田付け処理 (金・パラジウムコート)
 SOLDERABILITY IMPROVEMENT COAT (Au & Pd-Ni COAT)

下地メッキ : ニッケルメッキ 1.0 マイクロメートル以上
 UNDER PLATING : NICKEL 1.0MICROMETER MINIMUM

△3 (全極数/2) = 偶数の場合に適用。
 APPLY OFR (CIRCUIT/2)=EVEN.

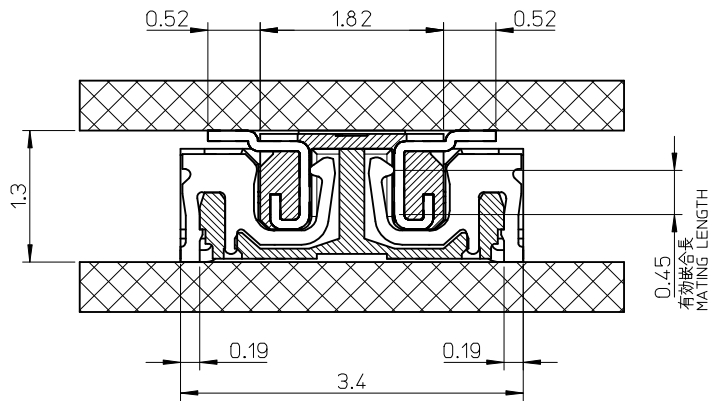
4. 嵌合相手 : 501527 シリーズ
 MATE WITH : 501527 SERIES.

5. テール平坦度は、0.08 以下
 テール及び金具の平坦度は、0.1 以下
 TAIL COPLANARITY TO BE 0.08MAXIMUM
 TAIL AND FITTING NAIL
 COPLANARITY TO BE 0.1MAXIMUM

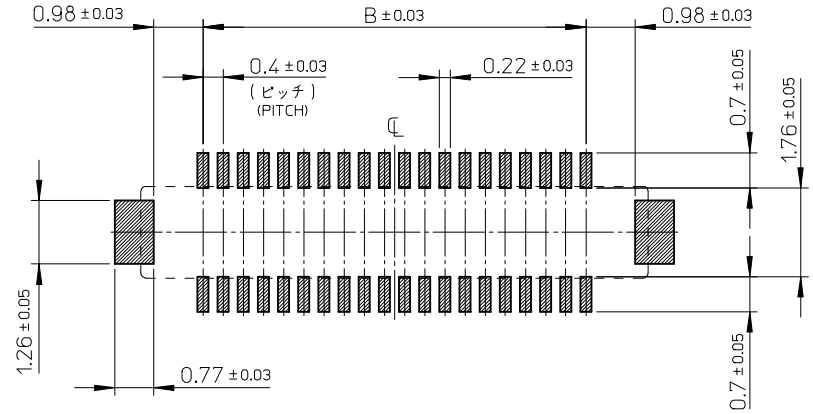


17.6	20.06	501531-0910	501531-0919	90
15.6	18.06	501531-0810	501531-0819	80
9.6	12.06	501531-0510	501531-0519	50
7.6	10.06	501531-0410	501531-0419	40
6.4	8.86	501531-3410	501531-3419	34
6.0	8.46	501531-3210	501531-3219	32
5.6	8.06	501531-0310	501531-0319	30
3.6	6.06	501531-0210	501531-0219	20
B	A	EMBOSSSED TAPE PKG.	MATERIAL No.	CKT
		ORDER No. オーダー番号	MODEL No. : 501531-**19	

REVISED EC NO. : J2009-0301 D	2008/08/27 DRWN: MWABEI	2008/08/28 CHKD: THARUYAMA	2008/08/28 APPR: NUKITA	DESCRIPTION REV	GENERAL TOLERANCES (UNLESS SPECIFIED)		DIMENSION STYLE MM ONLY		SCALE 10:1	DESIGN UNITS METRIC	THIRD ANGLE PROJECTION	TITLE 0.4 B-TO-B CONN. HGT=1.3 PLUG ASSY [OVERMOLD] -LEAD FREE-
	10 UNDER ±0.2		DRAWN BY DATE RTAKEUCHI 2005/10/25		10 OVER 30 UNDER ±0.25		CHECKED BY DATE THIRATA 2005/10/25		MATERIAL No. : 501531-001			
	30 OVER ±0.3		APPROVED BY DATE MSASAO 2005/10/25		ANGULAR ±3 °		MATERIAL NO. SEE TABLE		DOCUMENT NO. SD-501531-001			
	DRAFT WHERE APPLICABLE MUST REMAIN WITHIN DIMENSIONS		SIZE A3		THIS DRAWING CONTAINS INFORMATION THAT IS PROPRIETARY TO MOLEX INCORPORATED AND SHOULD NOT BE USED WITHOUT WRITTEN PERMISSION		SHEET NO. 1 OF 2					



嵌合断面図 (参考)
MATED DRAWING (REFERENCE)

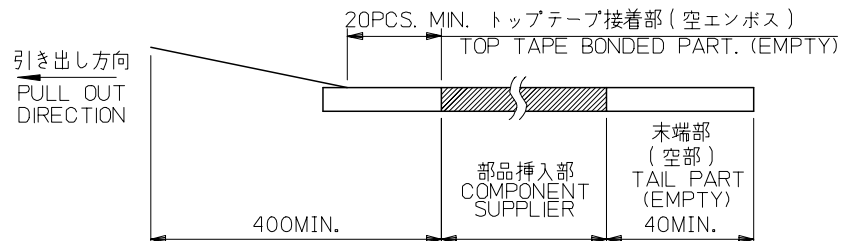
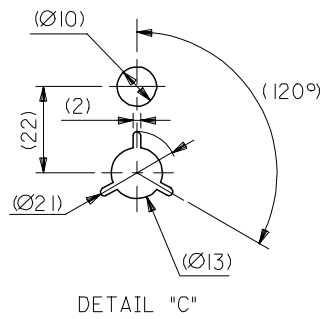
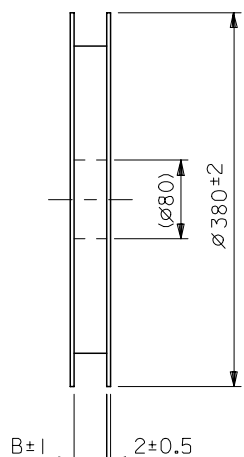
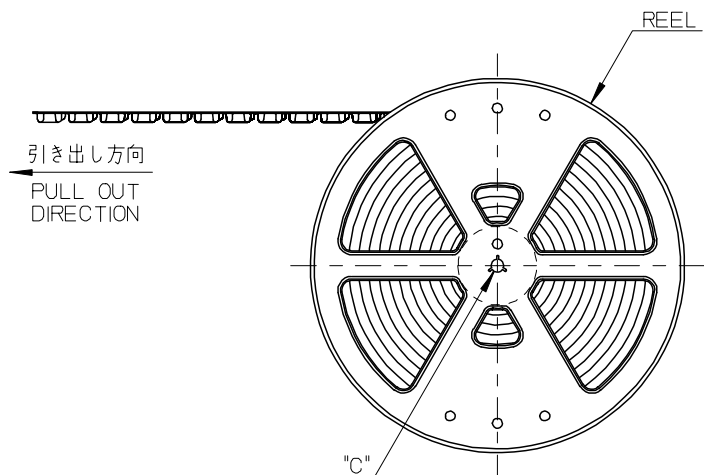


参考基板レイアウト (マウント面)
P.C.BOARD PATTERN DIMENSION (REFERENCE)
(MOUNTING AREA)

REVISED EC NO.: J2009-0301 DRWN: MABEI 2008/08/27 CHKD: THARUYAMA 2008/08/28 APPR: NUKITA 2008/08/28	GENERAL TOLERANCES (UNLESS SPECIFIED)		DIMENSION STYLE MM ONLY	SCALE 10:1	DESIGN UNITS METRIC	THIRD ANGLE PROJECTION
	10 UNDER	± 0.2	DRAWN BY RTAKEUCHI	DATE 2005/10/25	TITLE 0.4 B-TO-B CONN. HGT=1.3 PLUG ASSY [OVERMOLD] -LEAD FREE-	
	10 OVER 30 UNDER	± 0.25	CHECKED BY THIRATA	DATE 2005/10/25	MOLEX INCORPORATED DOCUMENT NO. SD-501531-001 SHEET NO. 2 OF 2	
	30 OVER	± 0.3	APPROVED BY MSASAO	DATE 2005/10/25		
ANGULAR	± 3 °	MATERIAL NO. SEE SHEET 1		THIS DRAWING CONTAINS INFORMATION THAT IS PROPRIETARY TO MOLEX INCORPORATED AND SHOULD NOT BE USED WITHOUT WRITTEN PERMISSION		
DRAFT WHERE APPLICABLE MUST REMAIN WITHIN DIMENSIONS						

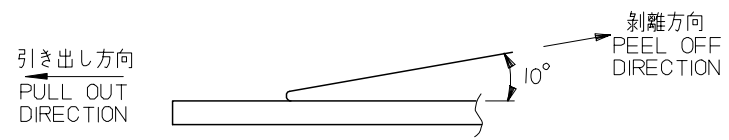
注記 NOTES

- 製品詳細寸法については製品単体図面を参照下さい。
RE DETAILED DIMENSION, SEE PRODUCT DRAWING.
- 梱包数量：6000 個/リール
NUMBER OF CONNECTORS : 6000PCS/REEL
- リードテープ長さ LEAD TAPE LENGTH



- トップテープの剥離強度：JES-59 参照
剥離方向は下図参照。

PEELING OFF STRENGTH OF TOP TAPE : REFER TO JES-59
PEELING DIRECTION AS SHOWN IN FOLLOWING FIGURE.



- 材料 MATERIAL
キャリアテープ (CARRIER TAPE) : ポリスチレン (POLYSTYRENE)
トップテープ (TOP TAPE) : PET , PE , PEF
リール (REEL) : ポリスチレン (PS) <リサイクル材を含む>
POLYSTYRENE (PS) <RECYCLE MATERIAL CONTAINED>

MODEL NO. 501531-**10

REVISED EC NO: J2007-3237 DRWNG: SAITO01 2007/08/01 CHKDK: TOYODA 2007/08/02 APPR: NUKITA 2007/08/02	DESCRIPTION	GENERAL TOLERANCES (UNLESS SPECIFIED)		DIMENSION STYLE MM ONLY		SCALE ---	DESIGN UNITS METRIC	THIRD ANGLE PROJECTION	
		10 UNDER	±---	DRAWN BY RTAKEUCHI	DATE 2005/10/27	TITLE 0.4 B-TO-B CONN. HGT=1.3 PLUG ASSY EMBSTP PKG -LEAD FREE-			
		10 OVER 30 UNDER	±---	CHECKED BY THIRATA	DATE 2005/10/27	MOLEX INCORPORATED			
		30 OVER	±---	APPROVED BY MSASAO	DATE 2005/10/27	DOCUMENT NO. SD-501531-002			
C	REV	DRAFT WHERE APPLICABLE MUST REMAIN WITHIN DIMENSIONS		MATERIAL NO. SEE CHART		SHEET NO. 1 OF 5		THIS DRAWING CONTAINS INFORMATION THAT IS PROPRIETARY TO MOLEX INCORPORATED AND SHOULD NOT BE USED WITHOUT WRITTEN PERMISSION	

10 9 8 7 6 5 4 3 2 1

F

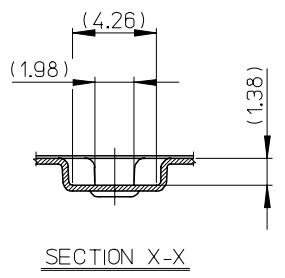
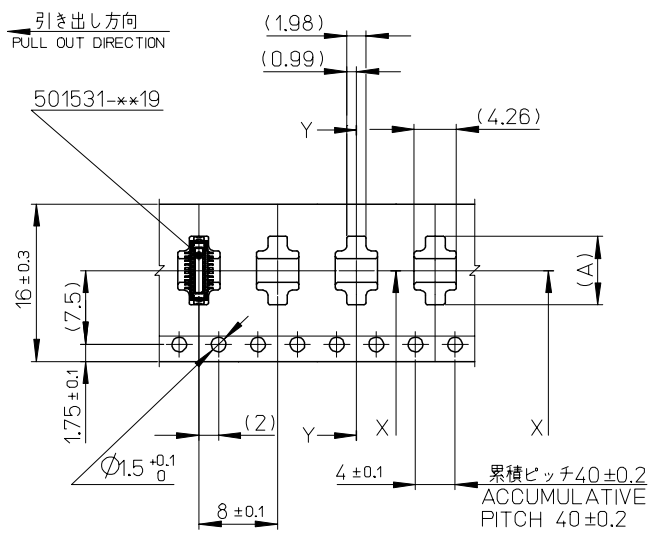
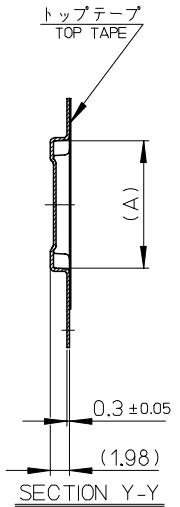
E

D

C

B

A



16mm 幅キャリアテープ
16mm WIDTH CARRIER TAPE

16	17.5	6.96	501531-0210	20
キャリアテープ幅 CARRIER TAPE WIDTH	B	(A)	MATERIAL No.	CKT.
			MODEL No.	501531-**10

REVISED EC NO: J2007-3237 DRWNG: SAITO001 2007/08/01 CHKDK: TOYODA 2007/08/02 APPR: NUKITA 2007/08/02	GENERAL TOLERANCES (UNLESS SPECIFIED)	DIMENSION STYLE MM ONLY	SCALE ---	DESIGN UNITS METRIC	THIRD ANGLE PROJECTION
	10 UNDER ± ---	DRAWN BY RTAKEUCHI	DATE 2005/10/27	TITLE 0.4 B-TO-B CONN. HGT=1.3 PLUG ASSY EMBSTP PKG -LEAD FREE-	
	10 OVER 30 UNDER ± ---	CHECKED BY THIRATA	DATE 2005/10/27	MOLEX INCORPORATED	
	30 OVER ± ---	APPROVED BY MSASAO	DATE 2005/10/27	DOCUMENT NO. SD-501531-002	SHEET NO. 2 OF 5
ANGULAR ± --- °	DRAFT WHERE APPLICABLE MUST REMAIN WITHIN DIMENSIONS		SEE CHART		
	THIS DRAWING CONTAINS INFORMATION THAT IS PROPRIETARY TO MOLEX INCORPORATED AND SHOULD NOT BE USED WITHOUT WRITTEN PERMISSION				

10 9 8 7 6 5 4 3 2 1

F

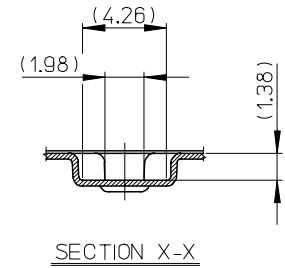
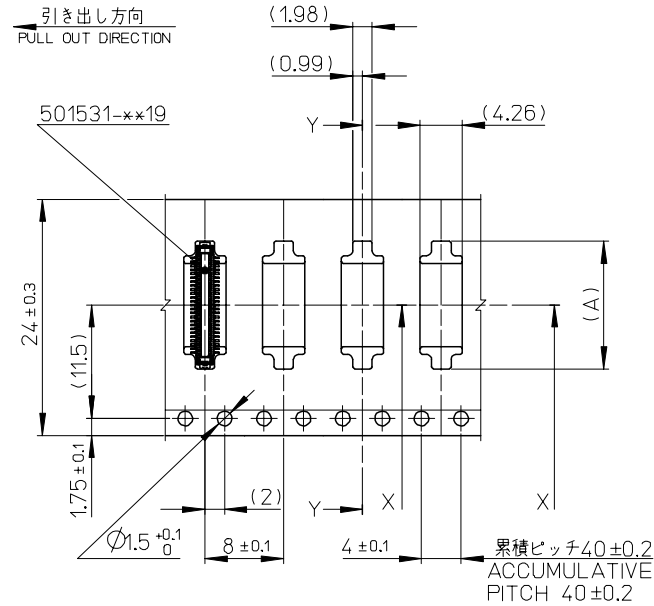
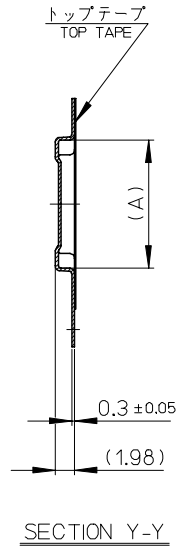
E

D

C

B

A



24mm 幅キャリアテープ
24mm WIDTH CARRIER TAPE

24	25.5	12.96	501531-0510	50	
		10.96	501531-0410	40	
		9.76	501531-3410	34	
		9.36	501531-3210	32	
		8.96	501531-0310	30	
キャリアテープ幅 CARRIER TAPE WIDTH		B	(A)	MATERIAL No.	CKT.
				MODEL No.	501531-**10

REVISED EC NO: J2007-3237 DRWNG: SAI T001 2007/08/01 CHKDK: TOYODA 2007/08/02 APPR: NUKITA 2007/08/02	DESCRIPTION	GENERAL TOLERANCES (UNLESS SPECIFIED)		DIMENSION STYLE	SCALE	DESIGN UNITS	THIRD ANGLE PROJECTION	
		10 UNDER ± ---		MM ONLY	---	METRIC	☉ □	
		10 OVER 30 UNDER ± ---		DRAWN BY	DATE	TITLE		
		30 OVER ± ---		RTAKEUCHI	2005/10/27	0.4 B-TO-B CONN. HGT=1.3 PLUG ASSY EMBSTP PKG -LEAD FREE-		
		ANGULAR ± --- °		CHECKED BY	DATE	MOLEX MOLEX INCORPORATED		
DRAFT WHERE APPLICABLE MUST REMAIN WITHIN DIMENSIONS		THIRATA	2005/10/27	APPROVED BY		DATE	DOCUMENT NO.	
		MSASAO	2005/10/27	SEE CHART		SD-501531-002	SHEET NO.	
				MATERIAL NO.			3 OF 5	
				THIS DRAWING CONTAINS INFORMATION THAT IS PROPRIETARY TO MOLEX INCORPORATED AND SHOULD NOT BE USED WITHOUT WRITTEN PERMISSION				

9

8

7

6

5

4

3

2

10 9 8 7 6 5 4 3 2 1

F

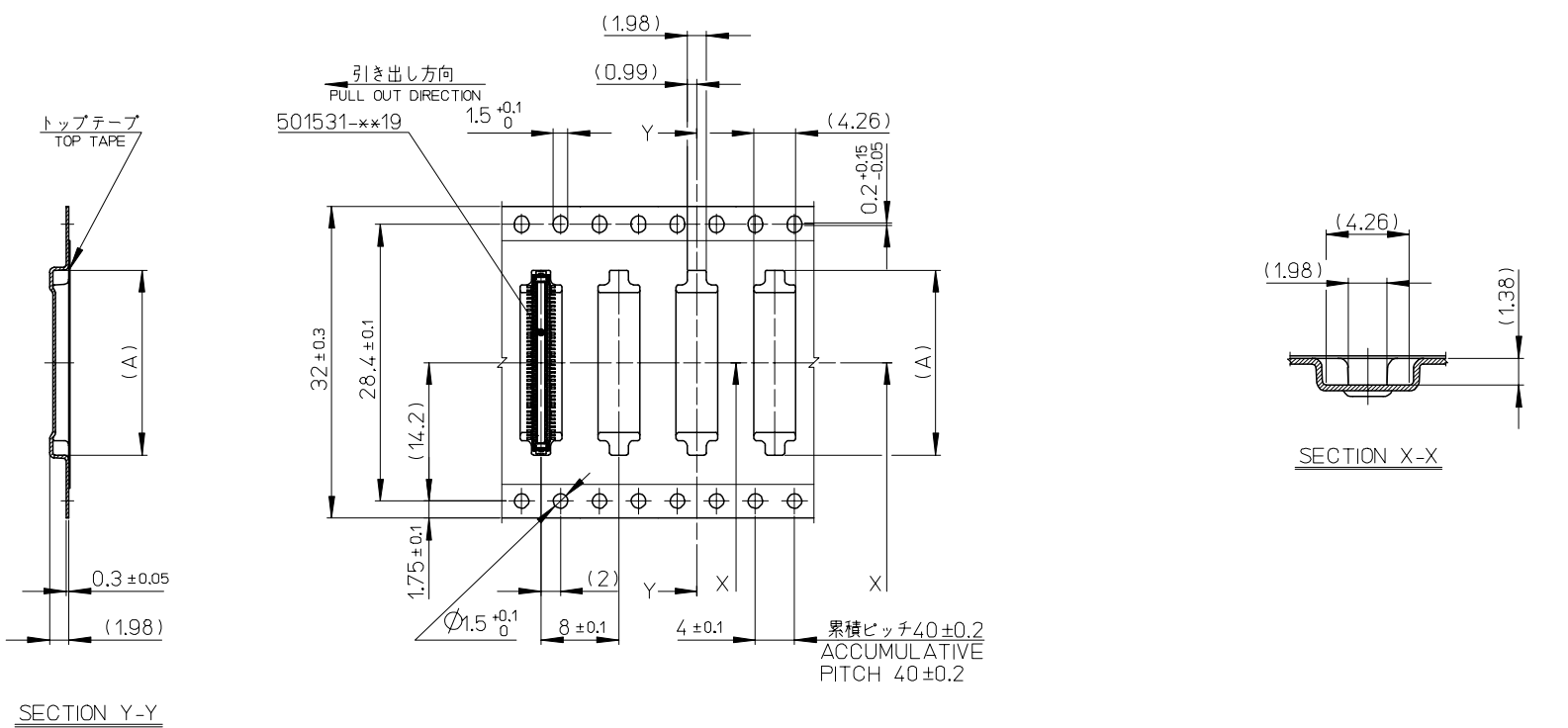
E

D

C

B

A



32mm 幅キャリアテープ
32mm WIDTH CARRIER TAPE

32	33.5	18.96	501531-0810	80
キャリアテープ幅 CARRIER TAPE WIDTH	B	(A)	MATERIAL No.	CKT.
			MODEL No.	501531-**10

REVISED EC NO: J2007-3237 DRW:KSAI T001 2007/08/01 CHK:KTOYODA 2007/08/02 APPR:NUKITA 2007/08/02	GENERAL TOLERANCES (UNLESS SPECIFIED)	DIMENSION STYLE MM ONLY	SCALE ---	DESIGN UNITS METRIC	THIRD ANGLE PROJECTION
	10 UNDER ± ---	DRAWN BY RTAKEUCHI	DATE 2005/10/27	TITLE 0.4 B-TO-B CONN. HGT=1.3 PLUG ASSY EMBSTP PKG -LEAD FREE-	
	10 OVER 30 UNDER ± ---	CHECKED BY THIRATA	DATE 2005/10/27	MOLEX INCORPORATED	
	30 OVER ± ---	APPROVED BY MSASAO	DATE 2005/10/27	DOCUMENT NO. SD-501531-002	SHEET NO. 4 OF 5
ANGULAR ± --- °	DRAFT WHERE APPLICABLE MUST REMAIN WITHIN DIMENSIONS		SEE CHART		
	THIS DRAWING CONTAINS INFORMATION THAT IS PROPRIETARY TO MOLEX INCORPORATED AND SHOULD NOT BE USED WITHOUT WRITTEN PERMISSION				

10 9 8 7 6 5 4 3 2 1

F

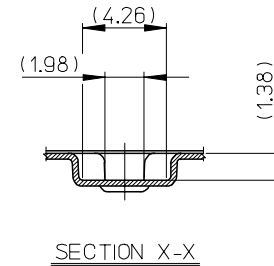
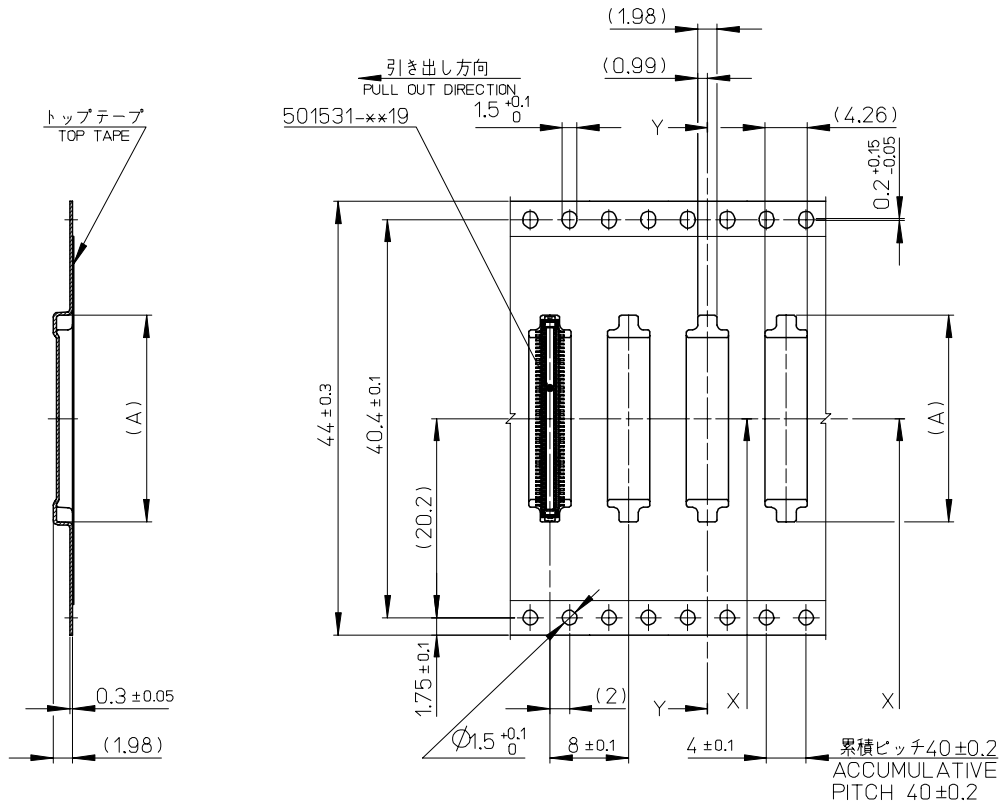
E

D

C

B

A



SECTION Y-Y

44mm 幅キャリアテープ
44mm WIDTH CARRIER TAPE

44	45.5	20.96	501531-0910	90
キャリアテープ幅 CARRIER TAPE WIDTH	B	(A)	MATERIAL No.	CKT.
			MODEL No.	501531-**10

REVISED EC NO: J2007-3237 DRWNG: SAITO01 CHKDK: TOYODA APPR: NUKITA	DESCRIPTION 2007/08/01 2007/08/02 2007/08/02	GENERAL TOLERANCES (UNLESS SPECIFIED)		DIMENSION STYLE	SCALE	DESIGN UNITS	THIRD ANGLE PROJECTION	
		10 UNDER ±---		MM ONLY	---	METRIC	☉ □	
		10 OVER 30 UNDER ±---		DRAWN BY	DATE	TITLE	0.4 B-TO-B CONN. HGT=1.3 PLUG ASSY EMBSTP PKG -LEAD FREE-	
		30 OVER ±---		RTAKEUCHI	2005/10/27	MOLEX INCORPORATED		
ANGULAR ±---		CHECKED BY	DATE	MATERIAL NO.		DOCUMENT NO.	SHEET NO.	
DRAFT WHERE APPLICABLE MUST REMAIN WITHIN DIMENSIONS		THIRATA	2005/10/27	SEE CHART		SD-501531-002	5 OF 5	
		APPROVED BY	DATE	THIS DRAWING CONTAINS INFORMATION THAT IS PROPRIETARY TO MOLEX INCORPORATED AND SHOULD NOT BE USED WITHOUT WRITTEN PERMISSION				
		MSASAO	2005/10/27					

9

8

7

6

5

4

3

2