



Panel-through connectors

Sicma

14/16/34 way sealed connector system for 1.5 + 2.8 mm terminals

Features

- 14/16 and 34 position housings available for 1.5 + 2.8 mm terminals
- Real sealing ensured by mat-seal
- Male housing incorporates a mobile grid to support blade terminals guiding and mating
- Terminal position assurance (T.P.A.)
- Protected locking cam on female housing



Performance characteristics

- Temperature range: from -40°C to +125°C
- Contact retention force: > 60 N
- Contact insertion force: < 10 N
- Connector mating force: < 65 N
- Sealing protection: IP 67
- Acceptable wire range: from 0.35 mm² to 2.5 mm²

Construction

- Housing material: PBT
- Interfacial seal: Silicone (grommet)

Connector compatibility

- Usable terminals:
 - Sicma-2 1.5 mm female terminals
 - Sicma-2 1.5 mm male terminals
 - Sicma-2 2.8 mm female terminals
 - Sicma-2 2.8 mm male terminals
 - Sicma-3 1.5 mm female terminals
 - Sicma-3 1.5 mm male terminals
 - Sicma-3 2.8 mm female terminals
 - Sicma-3 2.8 mm male terminals

Part Numbers	No. of position	Terminal size	Type	Colour
DTB FH PE 34 BK	34	30 x [1.5 mm] + 4 x [2.8 mm]	Female housing	Black
DTB MH PE 34 BK	34	30 x [1.5 mm] + 4 x [2.8 mm]	Male housing	Black
DTB FH PE 14 BK	14	10 x [1.5 mm] + 4 x [2.8 mm]	Female housing	Black
DTB MH PE 14 BK	14	10 x [1.5 mm] + 4 x [2.8 mm]	Male housing	Black
DTB FH PE 14 BK SV*	14	10 x [1.5 mm] + 4 x [2.8 mm]	Female housing	Black
DTB MH PE 14 BK SV*	14	10 x [1.5 mm] + 4 x [2.8 mm]	Male housing	Black
SIC FH PE 16 BK SV*	16	16 x 1.5 mm	Female housing	Black
SIC MH PE 16 BK SV*	16	16 x 1.5 mm	Male housing	Black

* SV: Sealed version

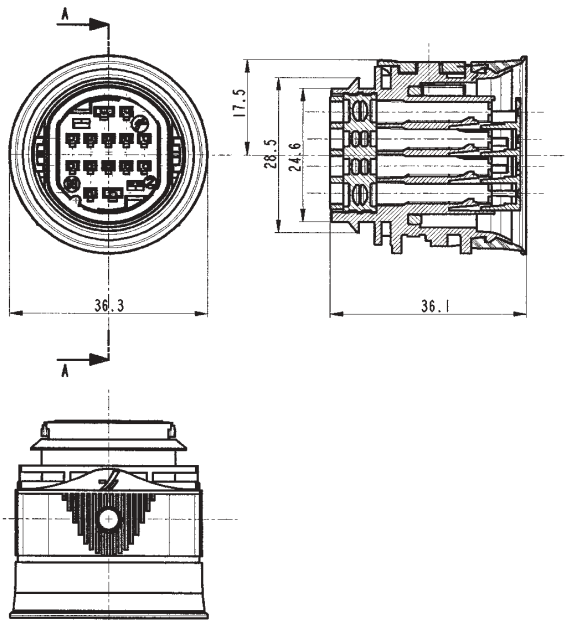
Panel-through connectors

Sicma

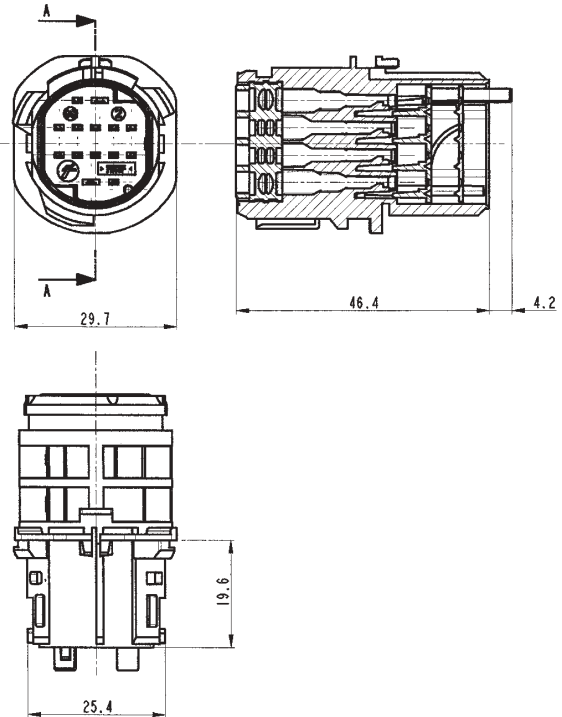
14/16/34 way sealed system for 1.5 + 2.8 mm terminals

Dimensional characteristics

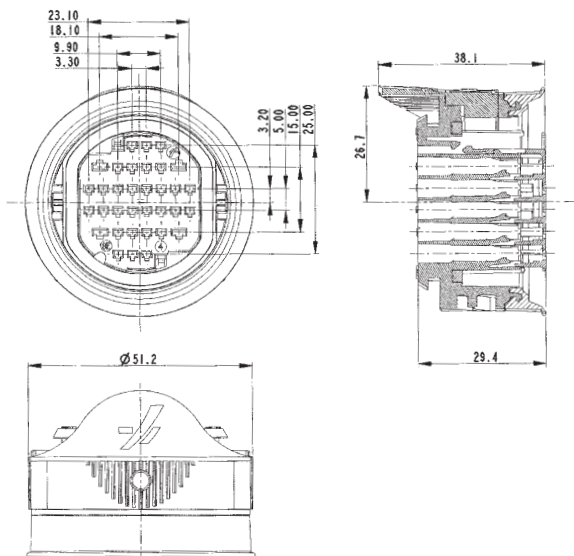
14/16 way female housing



14/16 way male housing



34 way female housing



34 way male housing

